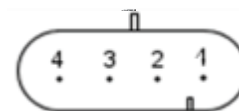




Tilt Transducer 0° ... 180° LG 2166

Full encapsulated housing, capacitive sensor for fast data acquisition, integrated signal conditioning, output dependent if tilt direction.

Type	LG 2166
Measuring Rang ^{*1)}	0 ... 180 °
Resistance to shocks	>1000 g
Frequency Range ^{*2)}	0 ... 20 Hz
Cross Sensivity	>5 %
Resolution	< 1 °
Operation Temperature	-40 ... + 85 °C
Zero Point Offset	<60 mV
Sensitivity Error	< +/- 2 %
Hysteresys	nicht messbar
Operation Voltage	4,5 ... 5,5 VDC
Power Consumption ^{*2)}	ca. 7 mA
Output Signal ^{*3), *4)}	Spannung 0,5 ... 4,5 V
Zero Signal ^{*3)}	0,5 V
Enclosure	IP67



Connections:

- Pin 1
- Pin 2 Output
- Pin 3 GND
- Pin 4 Operating Voltage

$$\alpha = \cos^{-1} \left(\frac{U_{out} - 0,5V}{2} - 1 \right)$$

α : angle in °
Uout: output voltage

Housing is resistant against ^{*)}:

- Fuels
- Oils
- Salts
- a lot of Chemicals

^{*)} see appnote 62/01

January 2011 – subject to change

^{*1)} in all directions

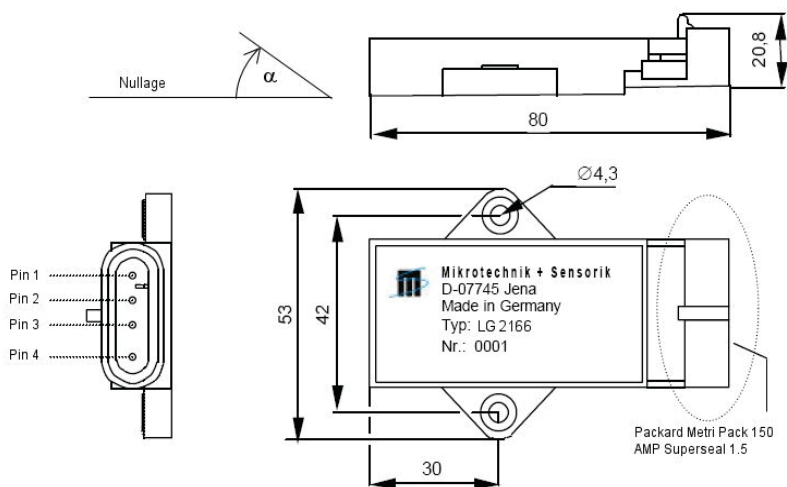
^{*2)} at max. 3dB tolerance near limit frequency

^{*3)} at U_b = 5 V

Order Information:

Tilt Transducer LG2166 0° - 180 °

Art.-No. 6211.03-5.01



Additional:

cable set 3-pol. 1m

Art.-No. 6503.01-5.01

cable set 3-pol. 1m with tension relief

Art.-No. 6503.01-5.11