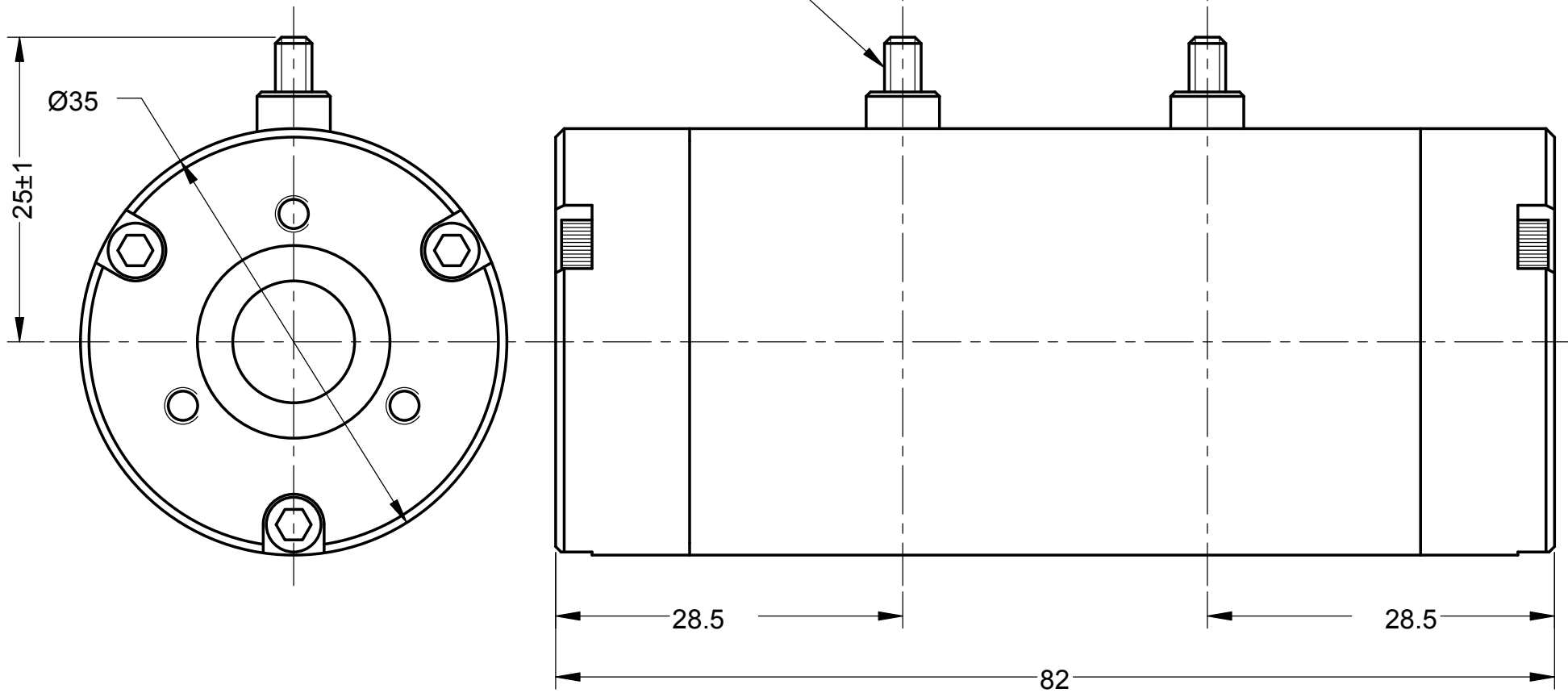




SECTION X-X

ELECTRICAL CONNECTION BY TWO STUDS, M3



LEYSOP

BBO X-50 DOUBLE Q-SWITCH INTERFACE DRAWING

Scale 2:1

Drawn

Approved

Issue 1

Date 31/03/05

Drawing No.

Dims. mm

Tolerances Unless Otherwise Stated

±0.2