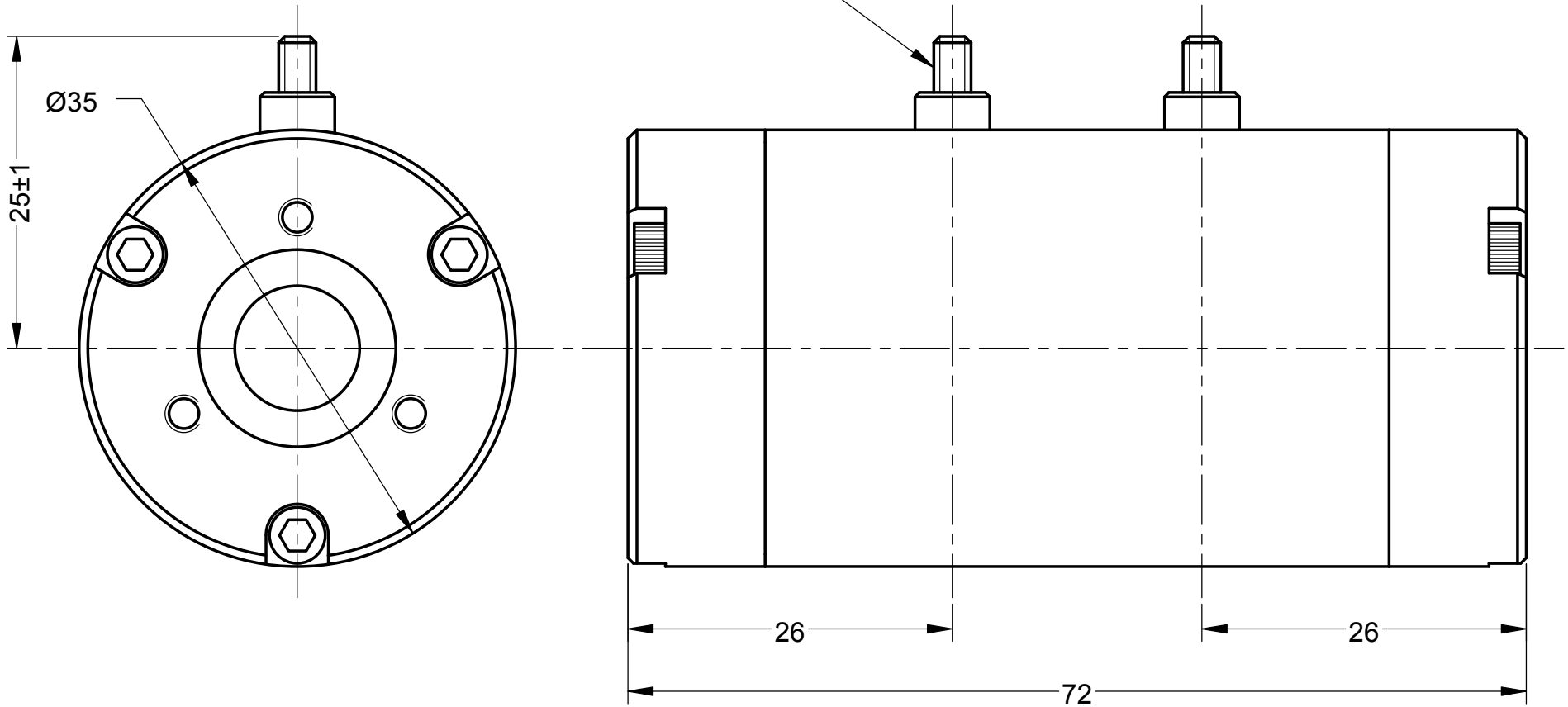




SECTION X-X

ELECTRICAL CONNECTION BY TWO STUDS, M3



LEYSOP

BBO DOUBLE Q-SWITCH
INTERFACE DRAWING

Scale
2:1

Drawn

Approved

Issue
1

Date
31/03/05



Drawing No.

Dims.
mm

Tolerances Unless
Otherwise Stated

±0.2