

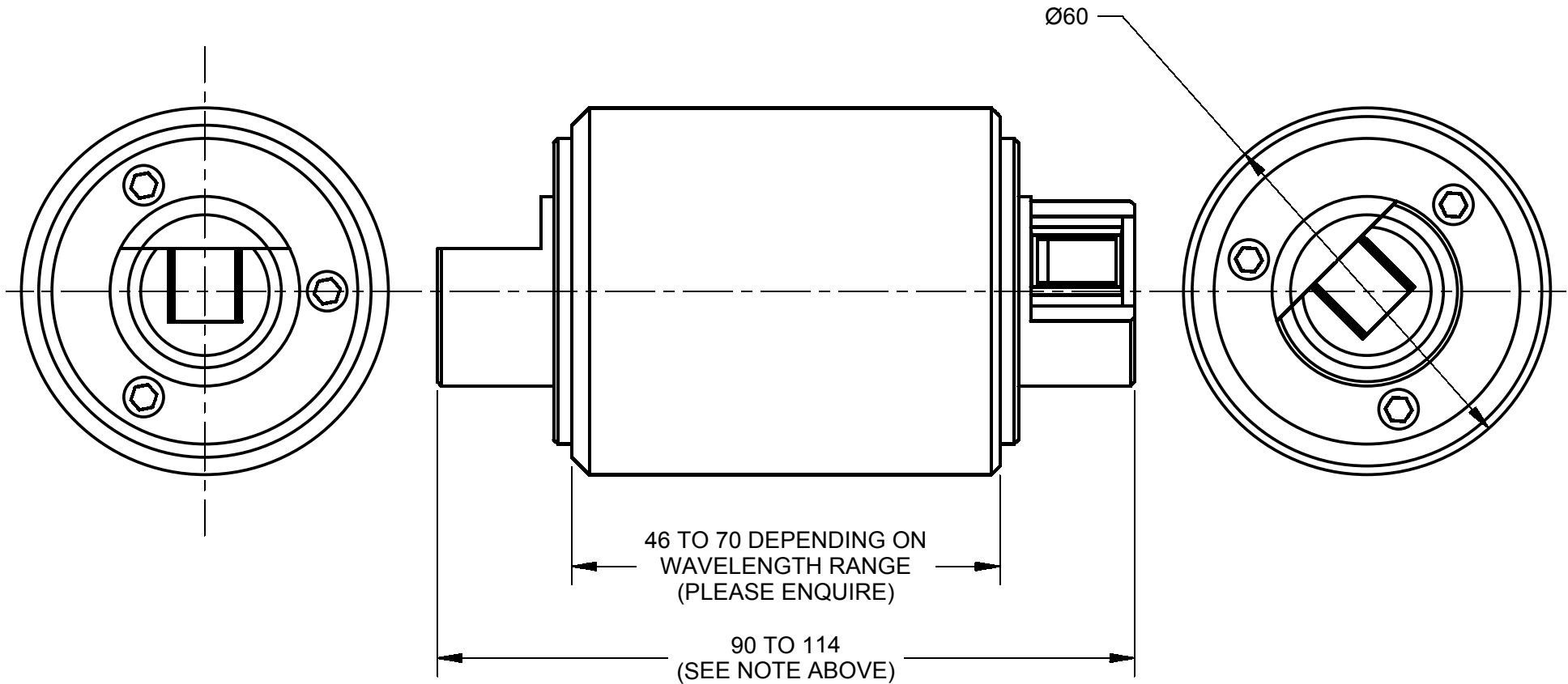


DRAWING FOR INFORMATION PURPOSES ONLY  
DOES NOT FORM A PART OF ANY SPECIFICATION  
IMPLIED OR OTHERWISE

DESIGN SUBJECT TO CHANGE WITHOUT NOTICE

DO NOT SCALE DRAWING

HOUSING MATERIAL: ALUMINIUM ALLOY, BLACK ANODISED



LEYSOP

FOI 5/57 FARADAY ISOLATOR  
INTERFACE DIAGRAM

Scale  
1:1

Drawn  
S. PAYNE

Approved  
P. FRANKS

Issue  
1

Date  
10/06/02

Drawing No.

Dims.  
mm

Tolerances Unless  
Otherwise Stated  $\pm 0.1$

