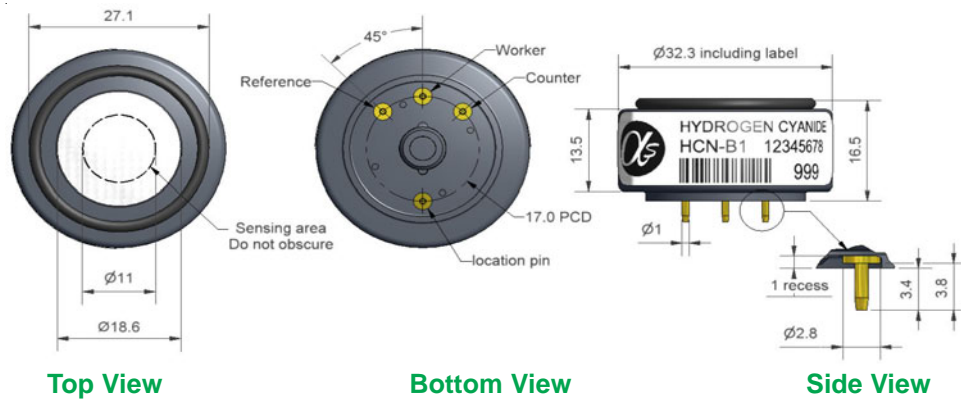


HCN-B1 Hydrogen Cyanide Sensor



Figure 1 HCN-B1 Schematic Diagram

PATENTED



Technical Specification

PERFORMANCE	Parameter	Specification	Range
	Sensitivity	nA/ppm in 30ppm HCN	80 to 120
	Response time	t ₉₀ (s) from zero to 30ppm HCN	<70
	Zero current	ppm equivalent in zero air	<±0.7
	Resolution	RMS noise (ppm equivalent)	<0.05
	Range	ppm HCN limit of performance warranty	100
	Linearity	ppm error at full scale, linear at zero, 40ppm HCN	0 to 4
	Overgas limit	maximum ppm for stable response to gas pulse	200

LIFETIME	Parameter	Specification	Value
	Zero drift	ppm equivalent change/year in lab air	nd
	Sensitivity drift	% change/year in lab air, monthly test	nd
	Operating life	months until 80% original signal (12 month warranted)	>12

ENVIRONMENTAL	Parameter	Specification	Value
	Sensitivity @ -20°C	% (output @ -20°C/output @ 20°C) @ 30ppm HCN	78 to 95
	Sensitivity @ 50°C	% (output @ 50°C/output @ 20°C) @ 30ppm HCN	103 to 115
	Zero @ -20°C	ppm equivalent change from 20°C	<±0 to -2
	Zero @ 50°C	ppm equivalent change from 20°C	0 to 2

CROSS SENSITIVITY	Gas	Parameter	Specification	Value
	H ₂ S	sensitivity	% measured gas @ 20ppm H ₂ S	<400
	NO ₂	sensitivity	% measured gas @ 10ppm NO ₂	<-10
	Cl ₂	sensitivity	% measured gas @ 10ppm Cl ₂	<10
	NO	sensitivity	% measured gas @ 50ppm NO	<2
	SO ₂	sensitivity	% measured gas @ 20ppm SO ₂	<180
	CO	sensitivity	% measured gas @ 400ppm CO	<0.3
	H ₂	sensitivity	% measured gas @ 400ppm H ₂	<0.1
	C ₂ H ₄	sensitivity	% measured gas @ 80ppm C ₂ H ₄	<0.1
	NH ₃	sensitivity	% measured gas @ 20ppm NH ₃	<2
	CO ₂	sensitivity	% measured gas @ 5% volume CO ₂	<0.1

KEY SPECIFICATIONS	Parameter	Specification	Value
	Temperature range	°C	-30 to 50
	Pressure range	kPa	80 to 120
	Humidity range	% rh continuous	15 to 90
	Storage period	months @ 3 to 20°C (stored in original container)	6
	Load resistor	Ω (recommended)	10 to 33
	Bias voltage	mV	not required
	Weight	g	< 6



NOTE: all sensors are tested at ambient environmental conditions, with 10 ohm load resistor, unless otherwise stated. As applications of use are outside our control, the information provided is given without legal responsibility. Customers should test under their own conditions, to ensure that the sensors are suitable for their own requirements.

HCN-B1 Performance Data

Technical Specification

Figure 2 Sensitivity Temperature Dependence

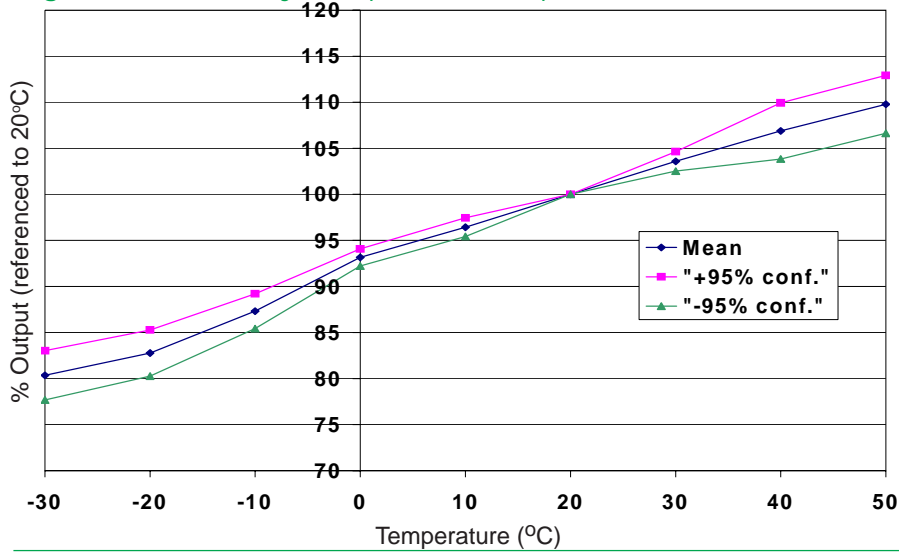


Figure 2 shows the variation in sensitivity caused by changes in temperature.

This data is taken from a typical batch of sensors. The mean and $\pm 95\%$ confidence intervals are shown.

Figure 3 Zero Temperature Dependence

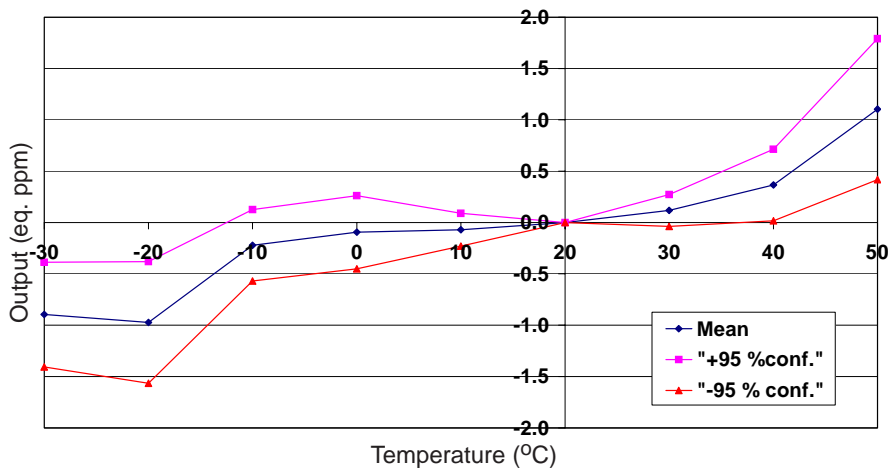
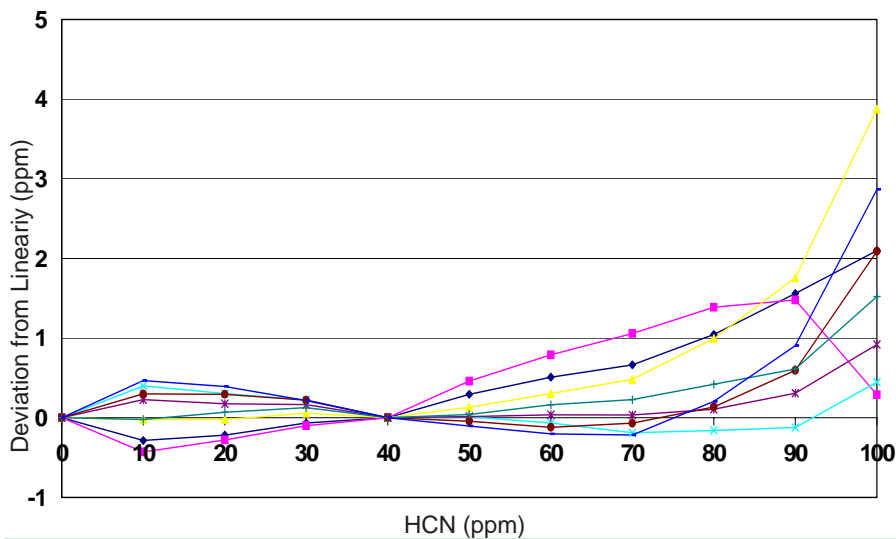


Figure 3 shows the variation in zero output caused by changes in temperature expressed as ppm gas equivalent.

This data is taken from a typical batch of sensors. The mean and $\pm 95\%$ confidence intervals are shown.

Figure 4 Deviation from Linearity



The HCN-B1 shows linear performance to 100ppm HCN.