

# Power Relay RM 5/6

2 / 3 pole 10 / 16 A, DC- or AC-coil



F0164-A

### Features

- 2 N/O or 3 N/O contacts
- 3 mm contact gap
- Push-to-test-button
- Plug-in version, PCB terminals, chassis- or DIN-rail mount

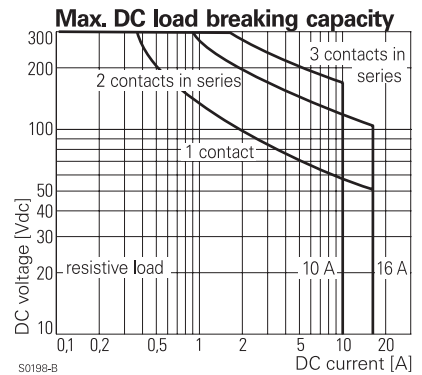
### Applications

Power supplies, pump control

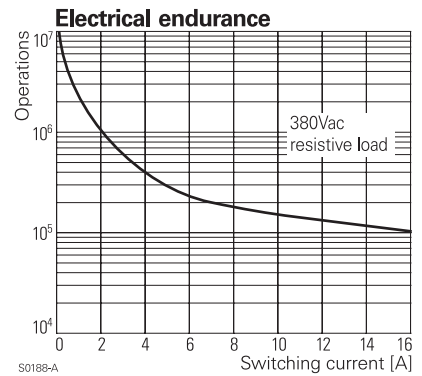


Technical data of approved types on request

Contact data	RM 5	RM 6
Configuration	2 N/O contact	3 N/O contact
Type of contact	single contact	
Rated current	16 A	10 A
Rated voltage / max.breaking voltage AC	380 Vac / 440 Vac	
Maximum breaking capacity AC	6000 VA	3800 VA
Make current (max. 4 s at duty cycle 10%)	25 A	25 A
Contact material	AgCdO	



Coil data		
Nominal voltage	DC coil	6...220 Vdc
	AC coil	6...400 Vac
Nominal coil power	DC coil	1.6 W
	AC coil	2.8 VA

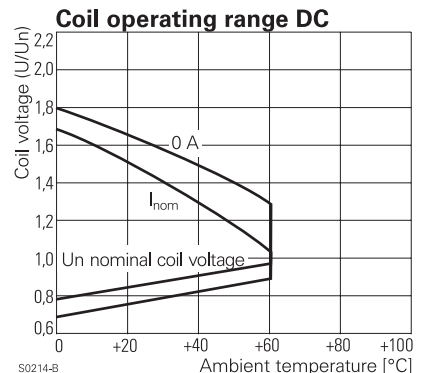


### Coil versions, DC-coil, RM5, RM6

Coil code	Nominal voltage	Pull-in voltage	Release voltage	Coil resistance	Coil current	
STD	LED PD*					
	bipolar					
006	L06 OA6 LA6	6	4.5	0.6	24±10%	250.0
012	L12 OB2 LB2	12	9.0	1.2	86±10%	139.5
<b>024</b>	<b>L24 OC4 LC4</b>	<b>24</b>	<b>18.0</b>	<b>2.4</b>	<b>345±10%</b>	<b>69.6</b>
048	L48 OE8 LE8	48	36.0	4.8	1340±10%	35.8
060	L60 OG0 LG0	60	45.0	6.0	2200±10%	27.3
110	M10 1B0 MB0	110	82.5	11.0	7300±10%	15.1
221	N21 2C1 NC1	220	165.0	22.0	30000±15%	7.3

All figures are given for coil without preenergization, at ambient temperature +20°C

\* Protection diode PD; standard polarity: +A1 / -A2



Edition: 07 / 2003

Rights to change data / design reserved

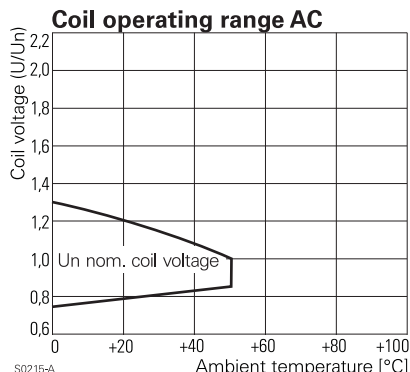
# Power Relay RM 5/6

## 2 / 3 pole 10 / 16 A, DC- or AC-coil

### Coil versions, AC-coil, RM5, RM6

Coil code	LED	Nominal voltage Vac	Pull-in voltage Vac	Release voltage Vac	Coil resistance $\Omega$	Coil current mA
506	R06	6	4.8	2.4	$4.7 \pm 10\%$	476.7
512	R12	12	9.6	4.8	$19.5 \pm 10\%$	225.8
<b>524</b>	<b>R24</b>	<b>24</b>	<b>19.2</b>	<b>9.6</b>	<b><math>80 \pm 10\%</math></b>	<b>109.2</b>
548	R48	48	38.4	19.2	$320 \pm 10\%$	54.2
560	R60	60	48.0	24.0	$500 \pm 10\%$	43.7
615	S15	115	92.0	46.0	$1850 \pm 10\%$	23.0
<b>730</b>	<b>T30</b>	<b>230</b>	<b>184.0</b>	<b>92.0</b>	<b><math>7500 \pm 10\%</math></b>	<b>11.7</b>
900	V00	400	320.0	160.0	$23500 \pm 15\%$	6.5

All figures are given for coil without preenergization, at ambient temperature +20°C

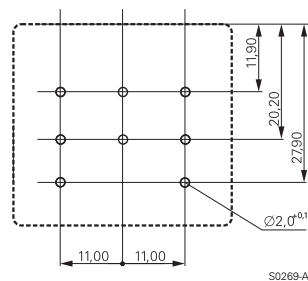


### Insulation

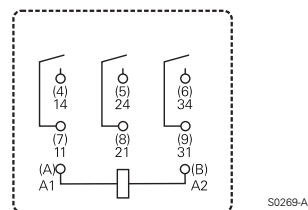
Dielectric strength	coil-contacts	2500 $V_{rms}$
	open contact circuit	2500 $V_{rms}$
	adjacent contacts	2500 $V_{rms}$
Clearance / creepage		$\geq 3.5 / 6$ mm
Insulation to VDE 0110b (2/79)	Insulation category / reference voltage	C / 400 with fully isolated Faston connectors

### PCB layout / terminal assignment

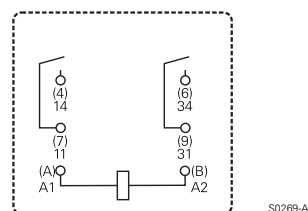
View on solder pins  
Dimensions in mm



3 N/O contacts



2 N/O contacts



### Other data

Ambient temperature	DC-coil	-45...+60 °C
	AC-coil	-45...+50 °C
Mechanical life	>20x10 <sup>6</sup> operations	
Max. switching rate at rated- / minimum load	16 min <sup>-1</sup> / 100 min <sup>-1</sup>	
Operate- / release time	approx. 15 / 10 ms	
Bounce time	approx. 4 ms	
Vibration resistance	>12 g, 30...150 Hz	
Category of protection (IEC 61810)	RT I - dust protected	
Relay weight	81 g	
Packaging unit	10 / 25 pcs.	
Accessories	see accessories RM	

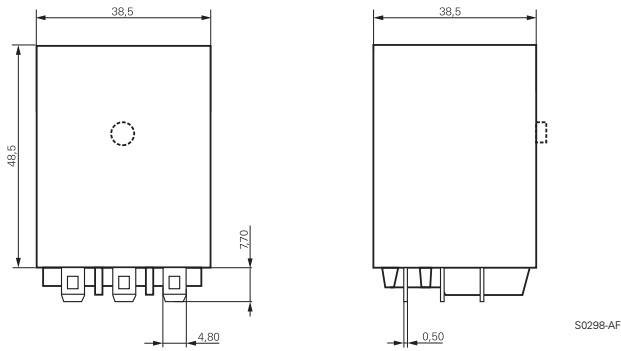
# Power Relay RM 5/6

## 2 / 3 pole 10 / 16 A, DC- or AC-coil

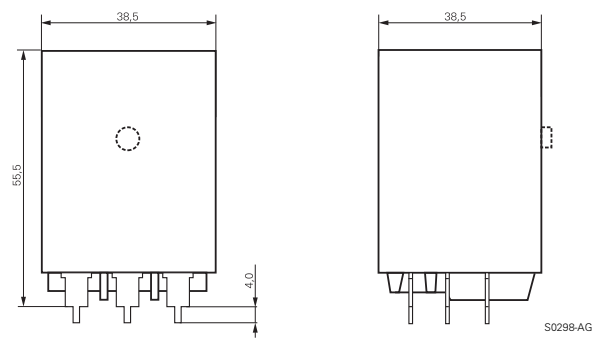
### Dimensions

Dimensions in mm

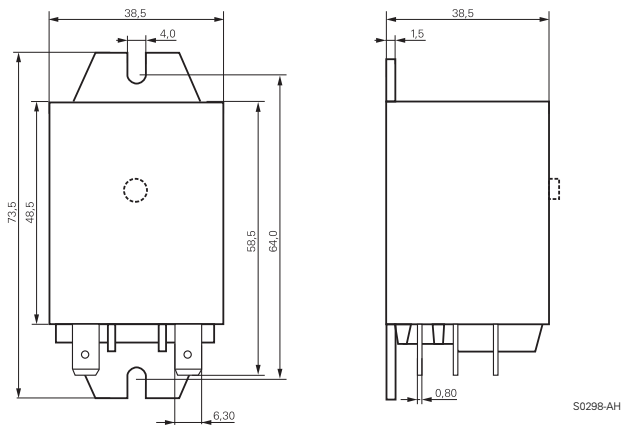
Plain cover, plug-in version



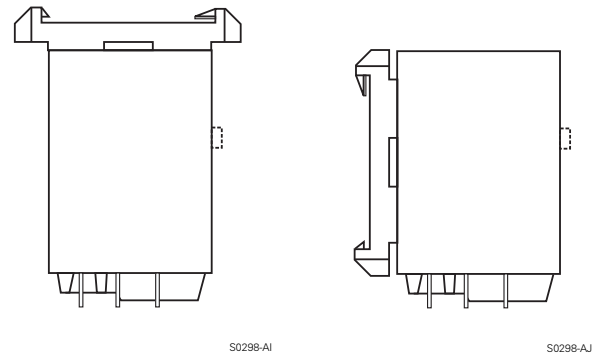
PCB version



Cover with mounting brackets, 6.3 mm Faston (4.8 mm available)



Cover with DIN-snap-on attachment (6.3 mm Faston only)  
horizontal vertical



### Product key

Type	<b>R</b>	<b>M</b>				
Contacts	<b>5</b> 2 N/O contacts, 16 A		<b>6</b> 3 N/O contacts, 10 A			
Version	<b>0</b> without test button, without mechanical indicator					
	<b>3</b> with test button, without mechanical indicator					
Mounting	<b>2</b> plain cover, 4.8mm Faston terminals					
	<b>3</b> cover with mounting brackets, 4.8mm Faston terminals					
	<b>5</b> cover with mounting brackets, 6.3mm Faston terminals					
	<b>7</b> PCB version					
	<b>8</b> cover with DIN-snap-on attachment, horizontal, 6.3mm Faston terminals					
	<b>9</b> cover with DIN-snap-on attachment, vertical, 6.3mm Faston terminals					
Coil	Coil code: please refer to coil versions table, preferred types in bold print					

Edition: 07/2003

Rights to change data / design reserved

**Power Relay RM 5/6****2 / 3 pole 10 / 16 A, DC- or AC-coil**

Product key	Contacts	Version	Enclosure	Coil	Coil	Part number	
RM502024	2 N/O contacts 16 A	without	plain cover	DC-coil	24 Vdc	6-1393146-1	
RM502524		test button	4.8mm Faston	AC-coil	24 Vac	6-1393146-2	
RM502615		without			115 Vac	6-1393146-3	
RM502730		mech.indicator			230 Vac	6-1393146-4	
RM503024				mounting brackets	DC-coil	24 Vdc	8-1393148-0
RM503615				4.8mm Faston	AC-coil	115 Vac	6-1393146-5
RM505024				mounting brackets	DC-coil	24 Vdc	8-1393148-3
RM505615				6.3mm Faston	AC-coil	115 Vac	6-1393146-6
RM505730						230 Vac	9-1393149-9
RM507024				PCB version	DC-coil	24 Vdc	0-1393844-1
RM507524					AC-coil	24 Vac	5-1415008-1
RM507615						115 Vac	6-1415015-1
RM507730						230 Vac	0-1415008-1
RM535024			test button	mounting brackets	DC-coil	24 Vdc	7-1393146-2
RM535524		mech.indicator	6.3mm Faston	AC-coil	24 Vac	9-1393148-0	
RM602024	3 N/O contacts 10 A	without	plain cover	DC-coil	24 Vdc	0-1393844-4	
RM602615		test button	4.8mm Faston	AC-coil	115 Vac	9-1393148-7	
RM605730		without	mount.br. 6.3 F.		230 Vac	7-1393146-6	
RM607024		mechanical ind.	PCB version		DC-coil	24 Vdc	0-1393844-6
RM607524					AC-coil	24 Vac	7-1393146-8
RM607615						115 Vac	8-1415015-1
RM607730						230 Vac	7-1393146-9
RM632024			with	plain cover	DC-coil	24 Vdc	8-1393146-0
RM632730			test button	4.8mm Faston	AC-coil	230 Vac	0-1393149-7
RM635024			with	mount.br. 6.3 F.	DC-coil	24 Vdc	7-1393107-7
RM637024			mech.indicator	PCB version		24 Vdc	0-1393149-9