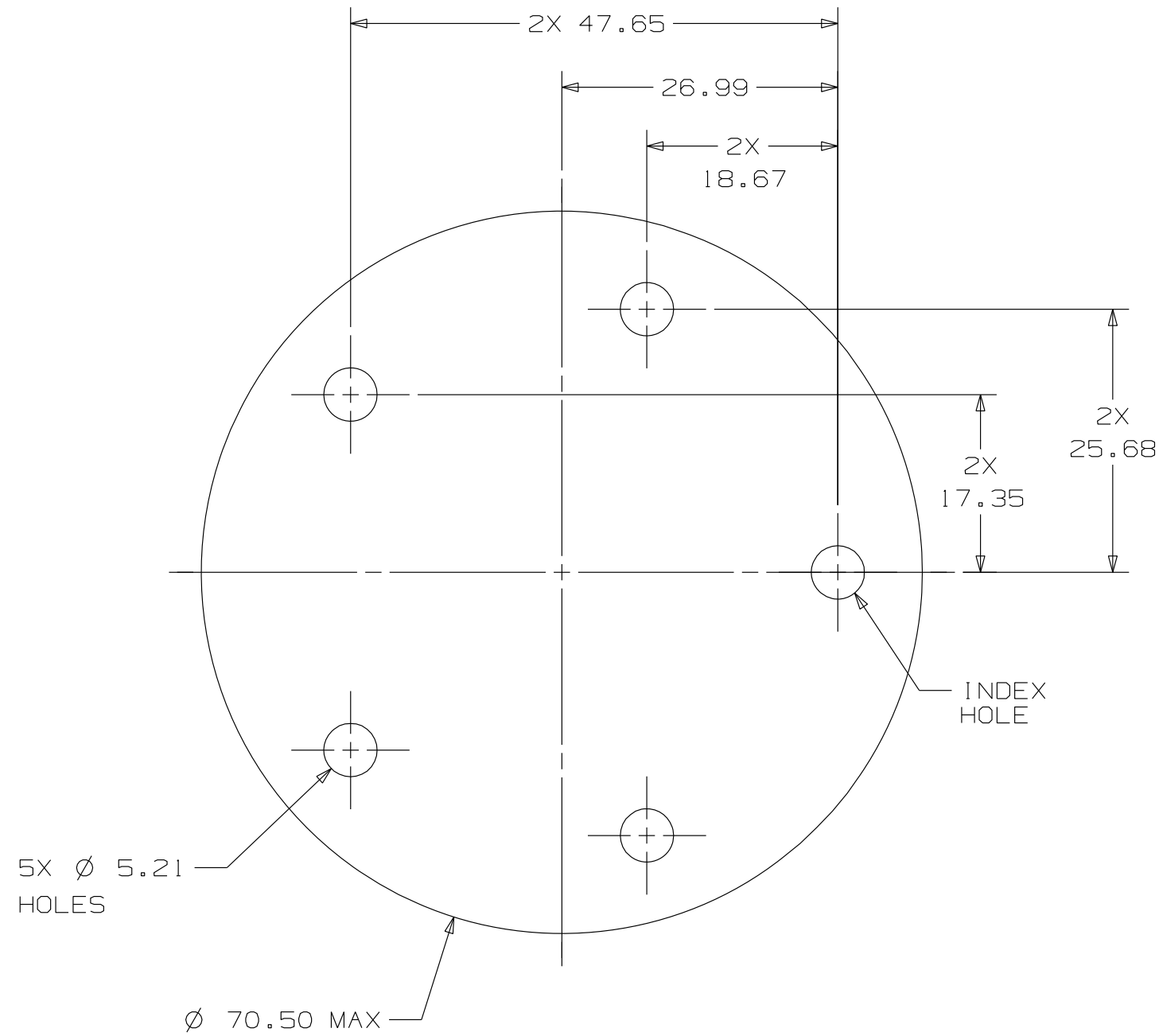
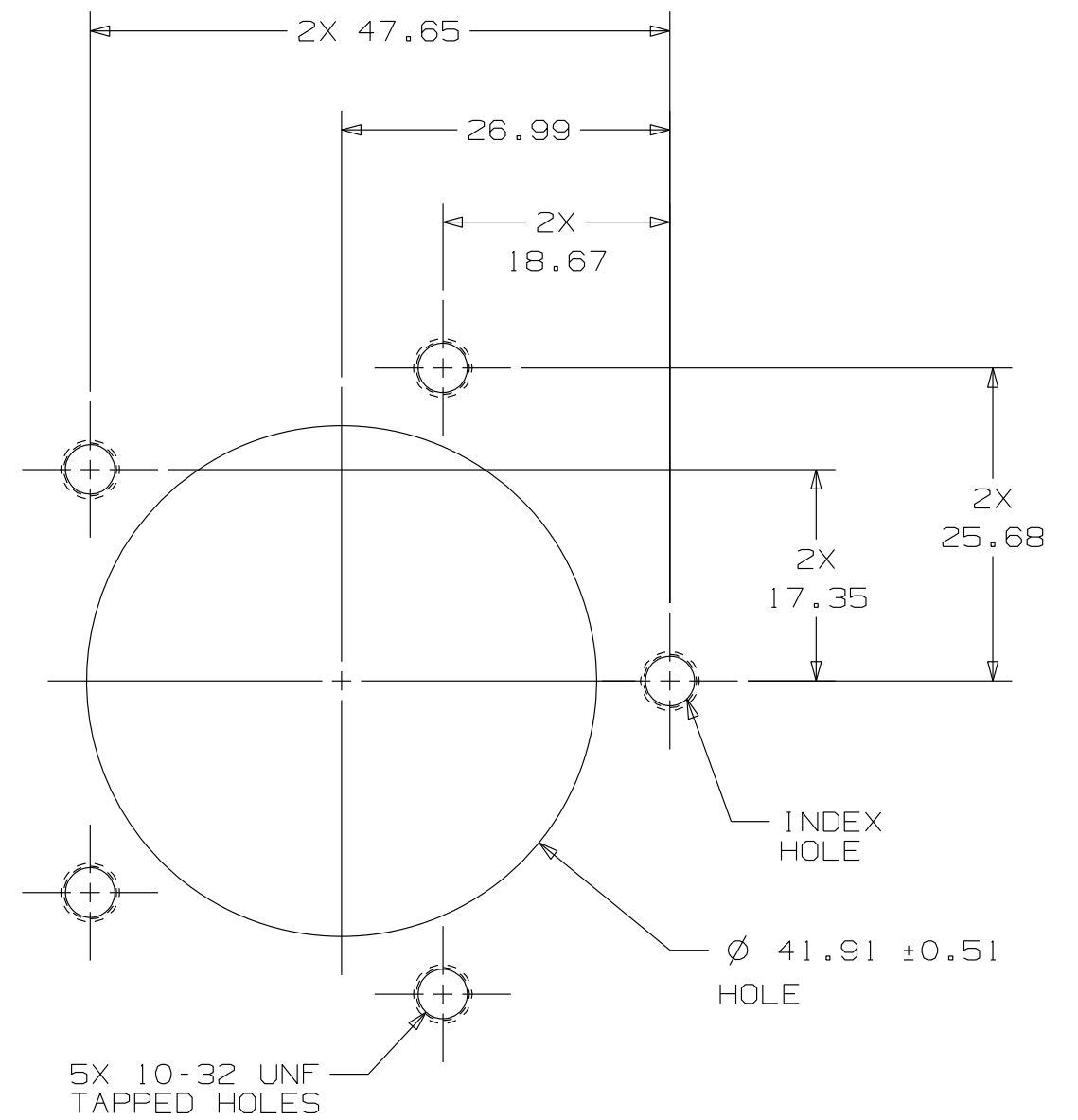


STANDARD SAE 5-BOLT HOLE PATTERN



SENDING UNIT FLANGE



TANK MOUNTING HOLE

TOLERANCES: ±0.13 UNLESS OTHERWISE SPECIFIED

NOTE: ALL DIMENSIONS ARE IN mm UNLESS OTHERWISE SPECIFIED