

100 PSI GAUGE TYPE PRESSURE SENSOR WITH BRIDGE OUTPUT: SPD100GBsil

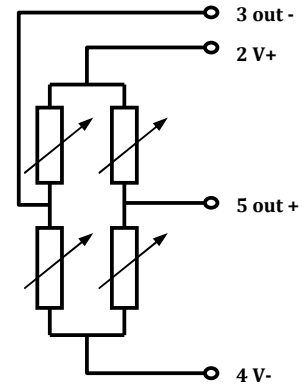
This Smartec pressure sensor has a non-compensated bridge output. The sensor has a range of 100 PSI (FS) and the bridge output is ratiometric to the power supply voltage. Other pressure ranges (from 0.3 to 100 psi) on request.



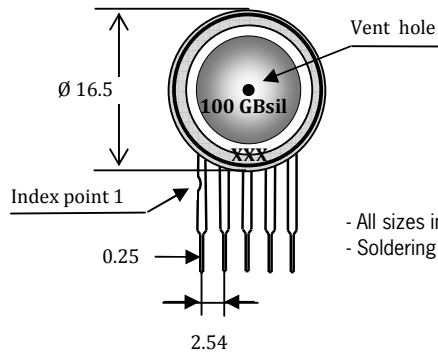
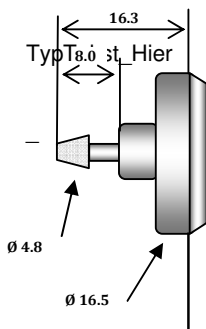
Electrical Characteristics

Performance characteristic @ Vcc = 5 V and 25 °C.

Parameter	Min	Typ	Max	Units.
Excitation voltage	0	5	10	V
Excitation current		1,5	3	mA
Pressure range	0		100	PSI
Span	70	100	130	mV
Offset	-30	0	30	mV
Linearity	-0,3	±0,1	0,3	%FS
Bridge Impedance	4.0	5.0	6.0	KΩ
TC Span (0-50 °C)	-27	-22	-17	%FS/100°C
TC Offset (0-50 °C)	-7		7	%FS/100°C
Pressure overload			1,5 X	
Operating temperature	-40		85	°C
Storage temperature	-40		125	°C



Wetted material containing PA and silicon



Pin	Description
1	NC
2	V+
3	Out-
4	V-
5	Out +

- All sizes in mm.
 - Soldering leads maximum 250 °C, 5 sec

