

# e2v

## EC4-2000-CO Carbon Monoxide Electrochemical Sensor

### PERFORMANCE

Range ..... 0 - 2000 ppm  
 Sensitivity ..... 18 - 38 nA/ppm CO  
 Zero in air at 20 °C ..... <10 ppm CO  
 Resolution ..... 10 ppm CO  
 Linearity ..... linear across range  
 Response time, t90 ..... <35 s  
 Long-term output drift ..... <2% signal/month  
 Warranty ..... 2 years

### OPERATING CONDITIONS

Temperature range ..... -20 to +50 °C  
 Operating humidity ..... 15 - 90% RH (non-condensing)  
 Pressure range ..... 90 - 110 kPa (nominal)  
 Operating circuit ..... see Electrochemical Toxic Sensor Application Note  
 Applied potential ..... 0 V  
 Storage life ..... 6 months in original packaging (0 - 25 °C)

### PHYSICAL CHARACTERISTICS

Label colour ..... silver  
 Weight ..... 5 g approx.  
 Dimensions ..... see outline

This device is designed to be RoHS compliant.

### CROSS-SENSITIVITY DATA

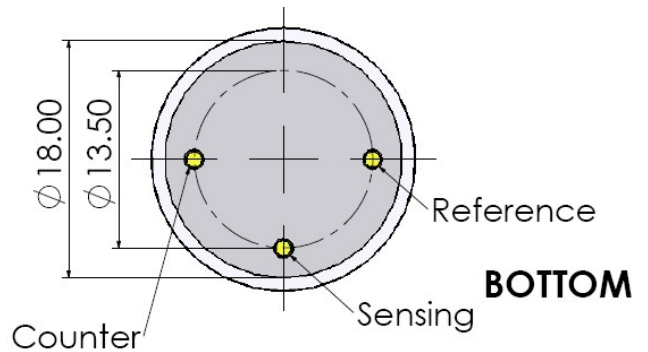
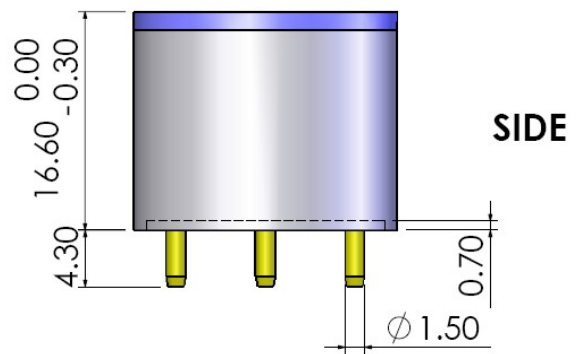
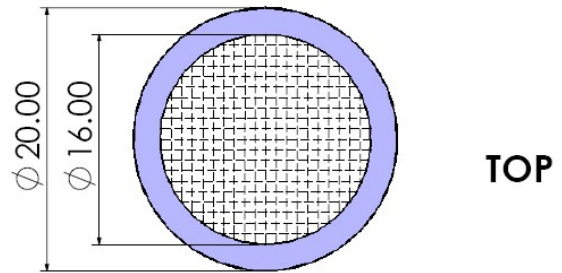
GAS	Concentration (ppm)	Sensor Response (As ppm CO)
Hydrogen Sulfide	15	0
Sulfur Dioxide	5	0
Chlorine	10	0
Nitric Oxide	35	-10 to 0
Nitrogen Dioxide	5	0
Hydrogen	100	<50
Ethene	100	<30
Ethanol	200	0

### Important Note

Do not solder to the connector pins as this may damage the sensor and thereby invalidate the warranty.

Details on recommended connector pins can be found in the Frequently Asked Questions within the Gas Sensor section of the e2v website.

### OUTLINE



All dimensions in mm.  
 All tolerances  $\pm 0.15$ mm unless otherwise stated.

Whilst e2v technologies has taken care to ensure the accuracy of the information contained herein it accepts no responsibility for the consequences of any use thereof and also reserves the right to change the specification of goods without notice. e2v technologies accepts no liability beyond the set out in its standard conditions of sale in respect of infringement of third party patents arising from the use of tubes or other devices in accordance with information contained herein.

e2v technologies (uk) limited, Waterhouse Lane, Chelmsford, Essex CM1 2QU United Kingdom Telephone: +44 (0)1245 493493 Facsimile: +44 (0)1245 492492

e-mail: [enquiries@e2v.com](mailto:enquiries@e2v.com) Internet: [www.e2v.com](http://www.e2v.com) Holding Company: e2v technologies plc

e2v technologies inc. 520 White Plains Road, Suite 450, Tarrytown, NY10591 USA Telephone: (914) 592-6050 Facsimile: (914) 592-5148 e-mail: [enquiries@e2vtechnologies.us](mailto:enquiries@e2vtechnologies.us)

© e2v technologies (uk) limited 2009

A1A-764715 Version 2, October 2009

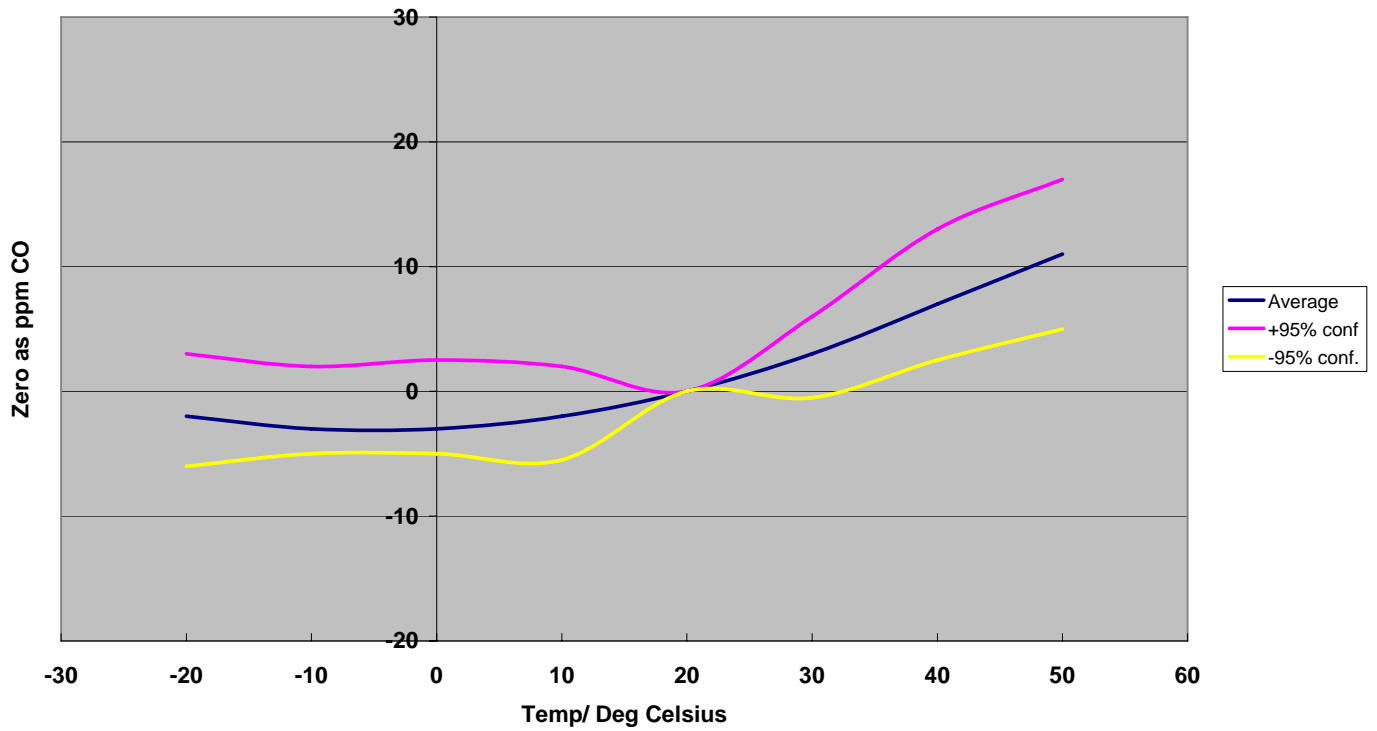
Template: DF764388A-2

SUNSTAR自动化 <http://www.sensor-ic.com/> TEL: 0755-83376489 FAX:0755-83376182 E-MAIL:szss20@163.com

107084

## TEMPERATURE DEPENDENCE

### EC-4-2000-CO Graph of Zero vs Temperature



### EC-4-2000-CO Graph of Net Sensivity vs Temperature

