



EC4-200-CI2
Chlorine Electrochemical Sensor

PERFORMANCE

Range	0 - 200 ppm
Sensitivity (see note)	250 - 650 nA/ppm Cl ₂
Zero in air at 20 °C.....	<±0.4 ppm Cl ₂
Zero deviation (-20 to +40°C)	0 to -0.3 ppm Cl ₂
Resolution.....	0.1 ppm Cl ₂
Expected lifetime	2 years
Linearity	linear across range
Response time, t ₉₀	<30 s
Temperature range	-20 to +50 °C
Pressure range	90 – 110 kPa (nominal)
Humidity range.....	15 - 90% RH (non-condensing)
Long-term output drift	<2% change in output per month
Operating circuit.....	see Electrochemical Toxic Sensor Application Note

Note: This output current is negative. This is because the sensor reaction is a reduction of the target gas.

OPERATING CONDITIONS

Temperature range	-20 to +50 °C
Operating humidity.....	15 - 90% RH (non-condensing)
Pressure range	90 - 110 kPa (nominal)
Operating circuit.....	see Electrochemical Toxic Sensor Application Note
Applied potential	0 V
Storage life.....	6 months in original packaging (0 - 25 °C)

PHYSICAL CHARACTERISTICS

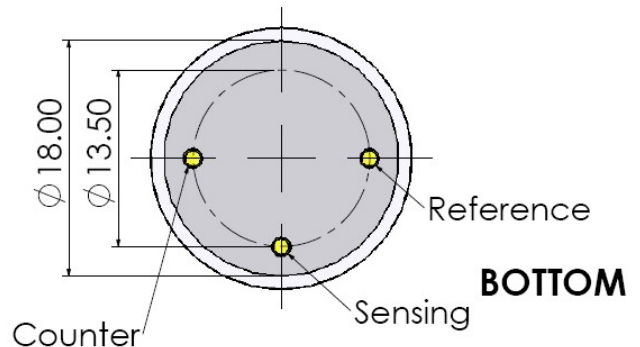
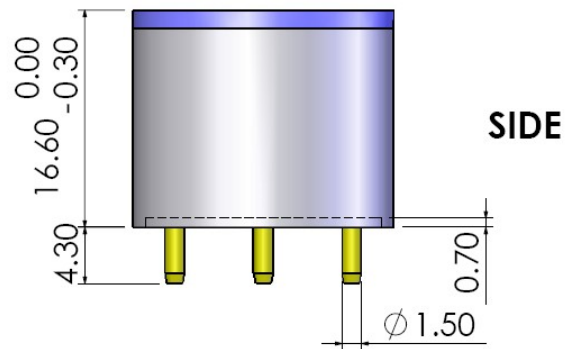
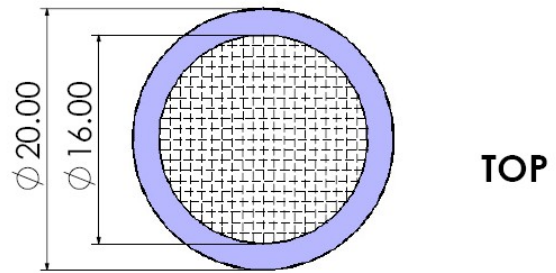
Label colour	silver
Weight.....	6 g
Dimensions	see outline

This device is designed to be RoHS compliant.

CROSS-SENSITIVITY DATA

GAS	Concentration (ppm)	Sensor Response (As ppm Cl ₂)
Carbon Dioxide	10,000	0
Carbon Monoxide	100	0
Chlorine Dioxide	1	3.5
Hydrogen	3000	0
Hydrogen Sulfide	20	-4
Nitrogen Dioxide	10	12
Sulfur Dioxide	20	0
Ammonia	100	0
Nitric Oxide	35	0

OUTLINE



All dimensions in mm.
All tolerances ±0.15mm unless otherwise stated.

Important Note

Do not solder to the connector pins as this may damage the sensor and thereby invalidate the warranty.

Details on recommended connector pins can be found in the Frequently Asked Questions within the Gas Sensor section of the e2v website.

Whilst e2v technologies has taken care to ensure the accuracy of the information contained herein it accepts no responsibility for the consequences of any use thereof and also reserves the right to change the specification of goods without notice. e2v technologies accepts no liability beyond the set out in its standard conditions of sale in respect of infringement of third party patents arising from the use of tubes or other devices in accordance with information contained herein.

e2v technologies (uk) limited, Waterhouse Lane, Chelmsford, Essex CM1 2QU United Kingdom Holding Company: e2v technologies plc

Telephone: +44 (0)1245 493493 Facsimile: +44 (0)1245 492492

Contact e2v by e-mail: enquiries@e2v.com or visit www.e2v.com for global sales and operations centres.

© e2v technologies (uk) limited 2010

A1A-764871 Version 5, June 2010

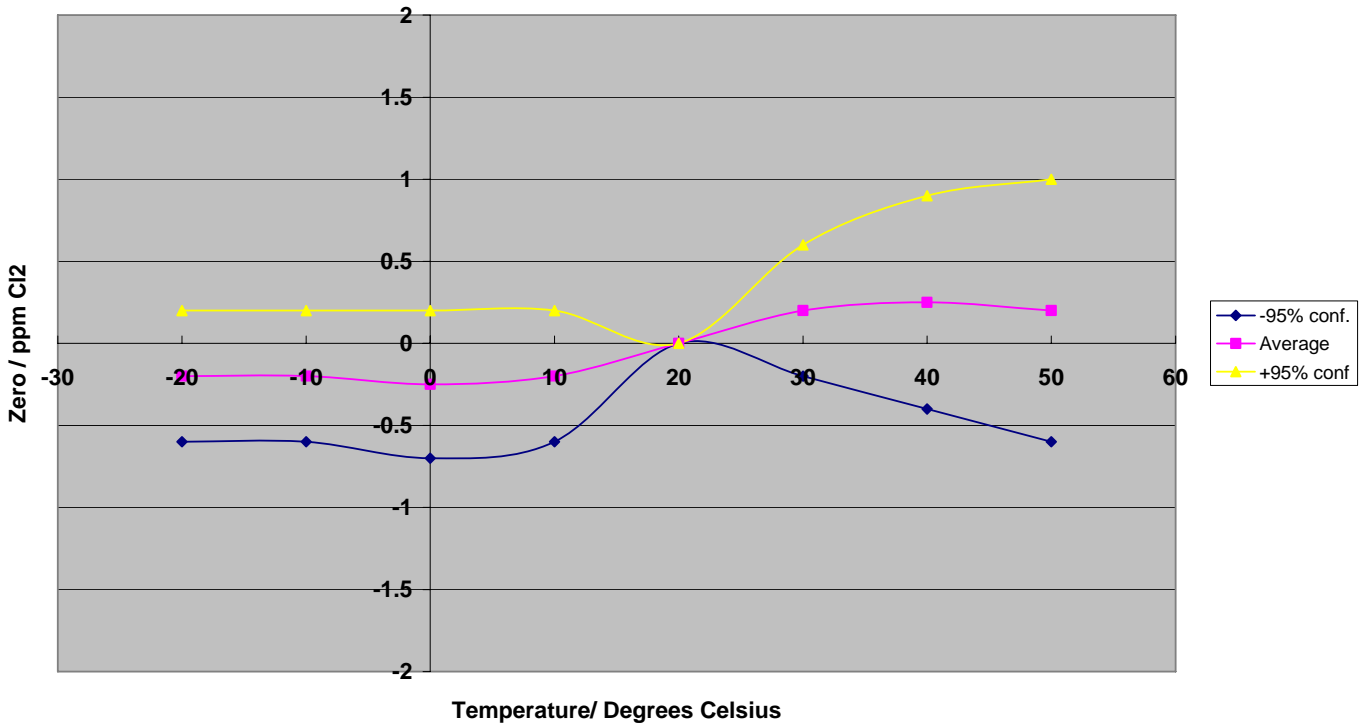
Template: DF764388A-3

SUNSTAR自动化 <http://www.sensor-ic.com/> TEL: 0755-83376489 FAX:0755-83376182 E-MAIL:szss20@163.com

108680

TEMPERATURE DEPENDENCE

EC4-200-CI2 Graph of Zero vs Temperatures



EC4-200-CI2 Graph of Net Sensitivity vs Temperature

