



EC4-20-PH3
Phosphine Electrochemical Sensor

PERFORMANCE

Range 0 - 20 ppm
 Maximum overload..... 100 ppm PH3
 Sensitivity.....800 - 2000 nA/ppm PH3
 Zero in air at 20 °C..... <±0.5 ppm PH3
 Resolution..... 0.1 ppm PH3
 Linearitylinear across range
 Response time, t90 <60 s
 Long-term output drift.....<2% signal/month
 Warranty 2 years

OPERATING CONDITIONS

Temperature range-20 to +50 °C
 Operating humidity..... 15 - 90% RH (non-condensing)
 Pressure range 90 - 110 kPa (nominal)
 Operating circuit..... see Electrochemical Toxic Sensor Application Note
 Applied potential0 V
 Storage life..... 6 months in original packaging (0 - 25 °C)

PHYSICAL CHARACTERISTICS

Label coloursilver
 Weight..... 5 g approx.
 Dimensions see outline

This device is designed to be RoHS compliant.

CROSS-SENSITIVITY DATA

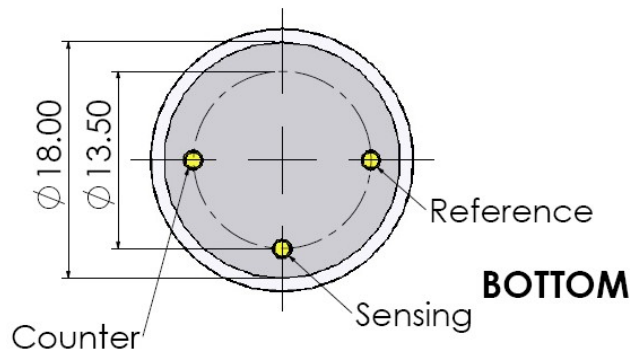
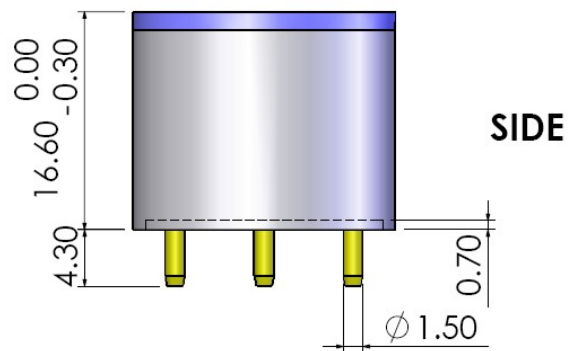
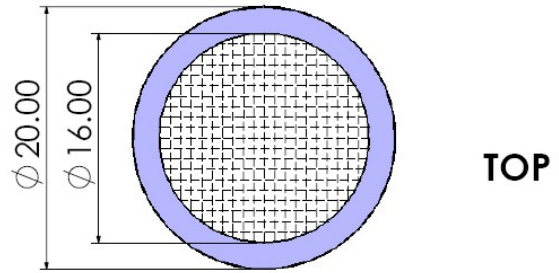
GAS	Concentration (ppm)	Sensor Response (As ppm PH3)
Hydrogen Sulfide	15	0
Sulfur Dioxide	5	<0.9
Carbon Monoxide	1000	0
Ammonia	50	0
Hydrogen	1000	0
Ethene	100	0

Important Note

Do not solder to the connector pins as this may damage the sensor and thereby invalidate the warranty.

Details on recommended connector pins can be found in the Frequently Asked Questions within the Gas Sensor section of the e2v website.

OUTLINE



All dimensions in mm.
 All tolerances ±0.15mm unless otherwise stated.

Whilst e2v technologies has taken care to ensure the accuracy of the information contained herein it accepts no responsibility for the consequences of any use thereof and also reserves the right to change the specification of goods without notice. e2v technologies accepts no liability beyond the set out in its standard conditions of sale in respect of infringement of third party patents arising from the use of tubes or other devices in accordance with information contained herein.

e2v technologies (uk) limited, Waterhouse Lane, Chelmsford, Essex CM1 2QU United Kingdom Telephone: +44 (0)1245 493493 Facsimile: +44 (0)1245 492492

e-mail: enquiries@e2v.com Internet: www.e2v.com Holding Company: e2v technologies plc

e2v technologies inc. 520 White Plains Road, Suite 450, Tarrytown, NY10591 USA Telephone: (914) 592-6050 Facsimile: (914) 592-5148 e-mail: enquiries@e2vtechnologies.us

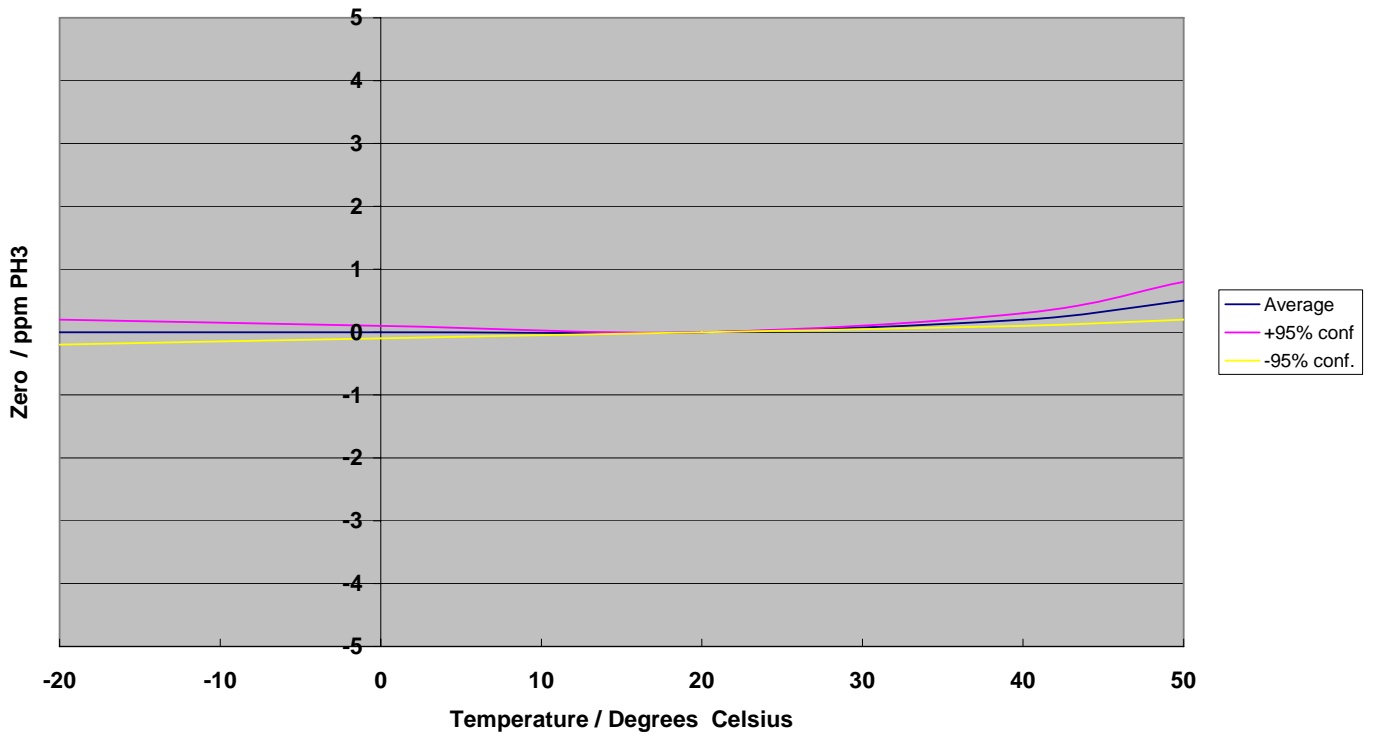
© e2v technologies (uk) limited 2009

A1A-764705 Version 2, October 2009

Template: DF764388A-2

TEMPERATURE DEPENDENCE

EC4-20-PH3 Graph of Zero vs Temperature



EC4-20-PH3 Graph of Sensitivity vs Temperature

