



International Technologies

Dr. Gambert GmbH

Product Specification of:

O₂ - Medical Sensor:

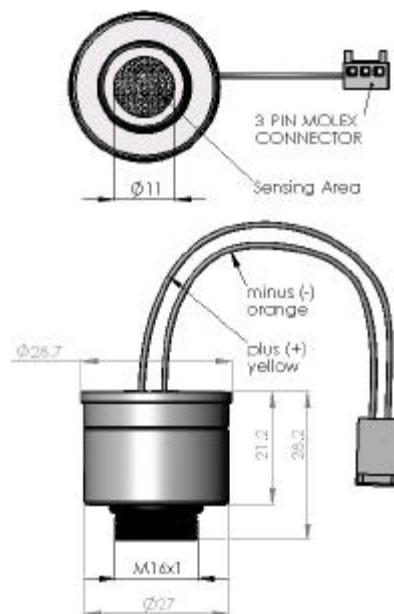
Type: M - 09

Part. No.: 41 00 13

Key Features: Gas sensor that shows high signal stability at low cross interferences to anesthesia gases combined with superior linearity over the entire range

All characteristics are based on conditions at 25°C, 50% RH and 1013 hPa

Electrical Connector:	3-pin Molex on wire
Measurement Range:	0 to 100 Vol. %
Nominal Sensor Life:	> 500,000 Vol. % h
Expected Operating Life:	< 3 years @ ambient air
Output Signal:	9.5 to 14 mV @ dry ambient air
Response Time t_{90} :	< 12 s
Drift:	< 1% volume O ₂ / month @ air
Operating Temperature:	0 to 40°C
Pressure Range:	750 to 1250 hPa
Linearity Error:	= 2% @ 100% O ₂ applied for 5 min
Zero Offset Voltage:	< 200 μ V in 100% N ₂ , applied for 5 min
Repeatability:	\pm 1 % volume O ₂ @ 100% O ₂ , applied for 5 min
Influence of Humidity:	-0.03% rel. O ₂ reading per % RH
Recommended Load Resistor:	= 10 kOhm
Temperature Compensation:	NTC
Interferences:	according to DIN EN 12598 and ISO 7767



Tolerance: \pm 0.15 mm

Storage Conditions

Temperature Range:	recommended: 5 to 30°C maximum: - 20 to 50°C
Humidity:	up to 100% RH
Shelf Life:	< 6 months
Weight:	approximately 22 g
Material in contact with media:	PA, PPS, PTFE, stainless steel
Warranty Period:	16 months
Housing Colour:	white

This data sheet is subject to change without prior notice !

[M-09 Rev. 01-05.doc]

page 1 / 1

IT Dr. Gambert GmbH, Hinter dem Chor 21, 23966 Wismar, Germany

Tel.: +49 (0) 3841 22 00 50, Fax: +49 (0) 3841 22 00 522, sales@it-wismar.de, www.it-wismar.de

SUNSTAR自动化 <http://www.sensor-ic.com/> TEL: 0755-83376489 FAX:0755-83376182 E-MAIL: szss20@163.com