

Pyroelectric Low Noise Flame Detector PS1x3C2-A-D3.7

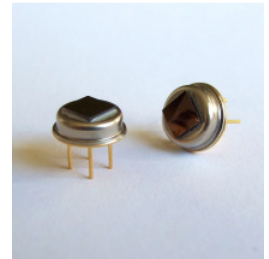
Pyroelectric one-channel current mode detector for flame detection with large active area and bipolar low noise circuit.

Active Area	1.65 x 1.65	mm ²
Aperture	Ø 3.7	mm ²
Mode	Current	
Time Constant t _(0-63%) thermal	typ. 62	ms
Time Constant t _(0-63%) electrical	typ. 2	ms
AC Sensitivity ^{1,2,3}	typ. 275000	V/W
Noise Density Voltage ¹	typ. 105	µV/Hz ^{1/2}
Noise Equivalent Power NEP ^{1,2,3}	typ. 3.82 x 10 ⁻¹⁰	W/Hz ^{1/2}
Specific Detectivity D* ^{1,2,3}	typ. 4.32 x 10 ⁸	cmHz ^{1/2} /W
Microphonic Voltage ¹	typ. 4000	µV/g
Filling Gas	Kr	
Filters	It is recommended to use filters with a CWL of 4.3 µm or 5 µm. Customized filters on request. For more information please see document "infrared filters".	
Operation Voltage VDD+	±2.2...±8	VDC
Operation Current	max. 0.07	mA
Feedback Resistor	10	GOhm
Feedback Capacitor	200±50	fF
Operation Temperature	-25 ... +125	°C
Mass	~1	g
Housing	T039 (modified)	

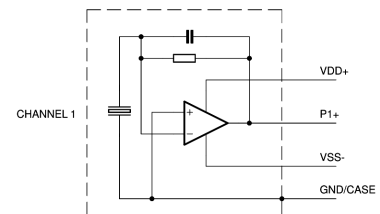
¹ at T_{amb}=25 °C, 10 Hz, band width 1 Hz

² Blackbody T=500 K; E=38 W/m²

³ on air without windows



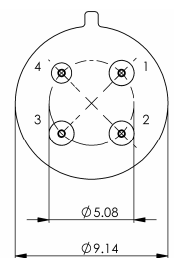
Equivalent Circuit



Pin Assignment

Bottom View

Pin 1	VSS-
Pin 2	VDD+
Pin 3	Output P1+
Pin 4	GND



Micro-Hybrid Electronic GmbH

Heinrich-Hertz-Straße 8
D-07629 Hermsdorf

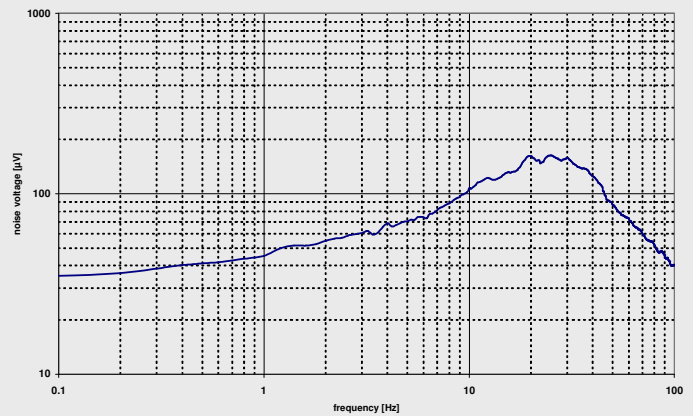
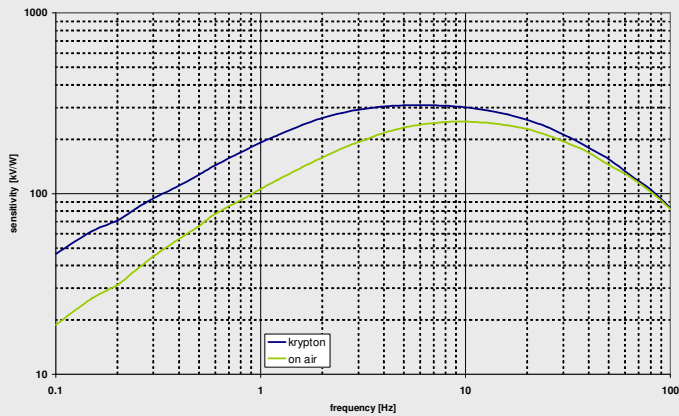
Tel +49 366 01 592 100
Fax +49 366 01 592 110

Email: infrared@micro-hybrid.de
Web: www.micro-hybrid.de

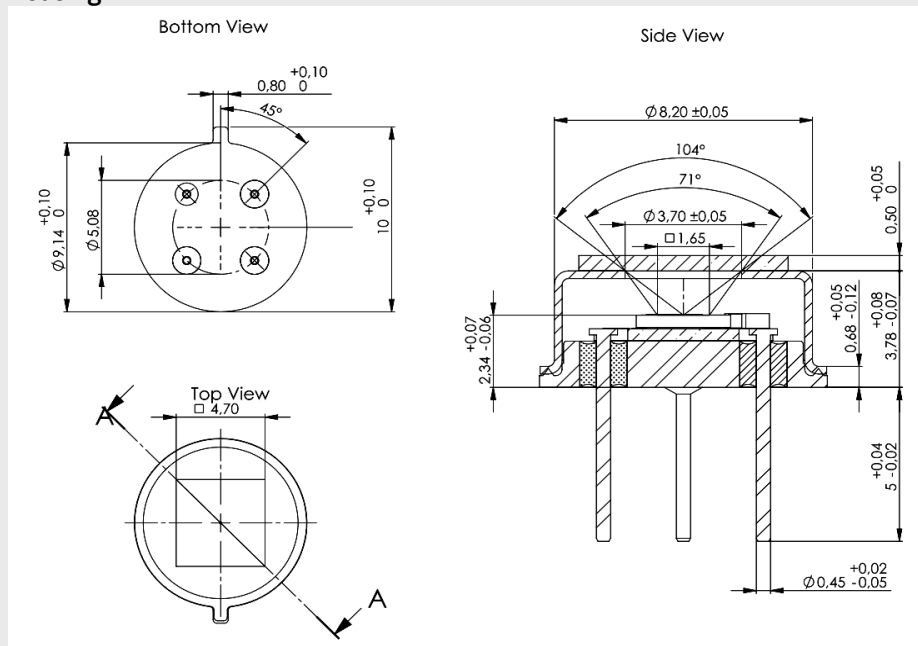
Pyroelectric Low Noise Flame Detector PS1x3C2-A-D3.7



Frequency Response



Housing



Ordering Information

PS1x3C2-A-S1.5-Filling Gas (GG)-Filter (H)

e.g. PS1x3C2-A-S1.5-Kr-E1

Optional parts

IR-Source JSIR 350 - Fast IR emitter based on thin film technology
 Art.-Nr. 6353.01-3.01

Evaluation Kit - For independent evaluation of emitters and detectors
 Art.-Nr. 7206.01-A.00

Micro-Hybrid Electronic GmbH

Heinrich-Hertz-Straße 8
 D-07629 Hermsdorf

Tel +49 366 01 592 100
 Fax +49 366 01 592 110

Email: infrared@micro-hybrid.de
 Web: www.micro-hybrid.de

September 20th 2012 - subject to change without notice

LIVING MICROWORLDS.