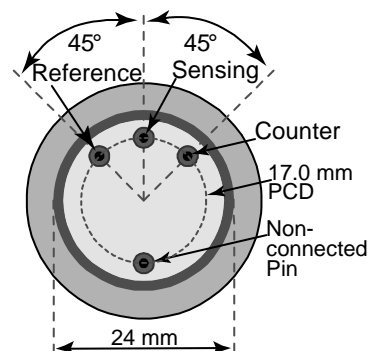
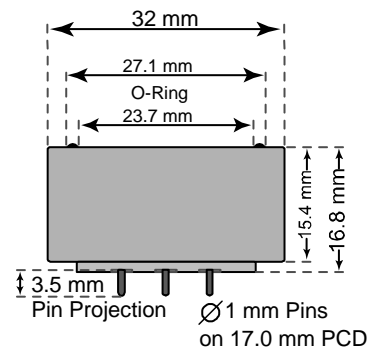


SPECIFICATION SHEET FOR FOR H₂ SENSOR TYPE H2/C-20000**PERFORMANCE CHARACTERISTICS**

| | |
|---|-------------------------------------|
| Nominal Range | 0 – 20'000 ppm |
| Maximum Overload | 40'000 ppm |
| Expected Operation Life | 2 years in air |
| Output Signal | 8 ± 3 nA/ppm |
| Resolution | 3 ppm |
| Temperature Range | - 20 °C to 50 °C |
| Pressure Range | Atmospheric ± 10% |
| Pressure Coefficient | No data |
| T ₉₀ Response Time | < 45 sec |
| Relative Humidity Range | 15 % to 90 % R.H. non-condensing |
| Typical Baseline Range (pure air, 20°C) | -60 to + 60 ppm |
| Maximum Zero Shift (+20°C to +40°C) | 90 ppm |
| Long Term Output Drift | < 2% signal loss/month |
| Recommended Load Resistor | 10 Ohm |
| Bias Voltage | Not required |
| Repeatability | 2 % of signal |
| Output Linearity | Linear |

PHYSICAL CHARACTERISTICS

| | |
|---------------------------------|---------------------------------|
| Weight | ~ 13 g |
| Position Sensitivity | None |
| Storage Life | Six months in container |
| Recommended Storage Temperature | 5 °C – 20 °C |
| Warranty Period | 12 months from date of dispatch |

Compact-Size Outline Dimensions**BOTTOM VIEW****SIDE VIEW****CROSS-SENSITIVITY DATA**

| Interfering Gas | Cross-Sensitivity (%) |
|-----------------|-----------------------|
| CO | < 20 |

Performance data conditions:
20 °C, 50% RH and 1013 mbar

APPLICATIONS

Safety and Environmental Control

The data contained in this document is for guidance only. Membrapor AG accepts no liability for any consequential losses, injury or damage resulting from the use of this document or the information contained within it. The data is given for guidance only. Customers should test under their own conditions, to ensure that the sensors are suitable for their own requirements.

REV.: 8/2010

Page 1 of 1

Phone: +41 43 311 72 00
Fax : +41 43 311 72 01
Email: info@membrapor.ch
www.membrapor.ch

MEMBRAPOR AG
Birkenweg 2
CH-8304 Wallisellen
Switzerland

SUNSTAR自动化 <http://www.sensor-ic.com/> TEL: 0755-83376489 FAX:0755-83376182 E-MAIL: szss20@163.com