

# Piezoresistive High Pressure Sensor

Type 4067...

## with Amplifier

High pressure sensor with rugged diaphragm and front seal for measuring on hydraulic Systems, (eg. fuel injection Systems of internal combustion engines), and gas pressure measurements. Suitable for static and dynamic pressures. Its small dimensions allow its use with a clamp adapter on the injection pipe.

- Measuring range up to 1 000, 2 000, 3 000 and 5 000 bar
- Measures static and dynamic pressures
- High natural frequency
- This is one of the smallest sensors for static measurement

### Description

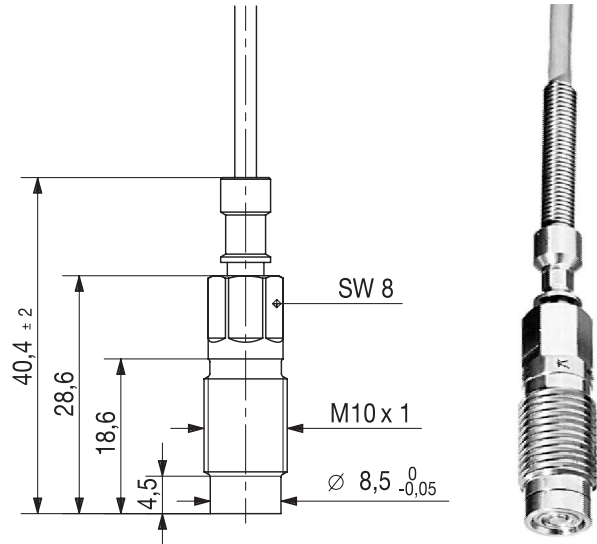
The pressure to be measured acts through a rugged diaphragm on an arrangement of piezoresistive "rods". The pressure changes the values of the resistances diffused into the rods. These resistances are arranged in a Wheatstone bridge.

The pressure sensor itself is not temperature compensated. The amplifier Type 4618A... provides temperature compensation, linearisation of the pressure signal and contains a stabilized power supply. For this reason, the sensor must always be operated with the amplifier adjusted to it.

Amplifier Type 4618A... additionally contains two adjustable limit switches with optocouplers. A version with simultaneous temperature measurement is available as an option.

### Application

Sensor Type 4067... is used appropriately wherever high pressures with a static component have to be measured in confined spaces. Examples are the fine tuning of injection systems in diesel engines or measurements on hydraulic systems.



### Mounting

The device can be mounted directly (Fig. 4) or with the aid of a clamp adapter (Fig. 6) available for different diameters of injection lines.

The sealing joint Type 1100 (Fig. 5) supplied provides good leak-tightness even at high static pressures and small tightening torques.

Tightening must be carried out with a torque wrench. The permissible tightening torque must on no account be exceeded, otherwise the sensor will be damaged beyond repair. In the event of a leakage, the sealing joint Type 1100 should be exchanged and the contact surface re-machined with end finishing tool Type 1300A25. The sensor zero is sensitive to tightening. If the zero point is displaced, it can be corrected at the amplifier with an externally accessible potentiometer.

4067\_000-006e-08.08

## Technical Data

### Typ 4067...

Range	bar	0 ... 1 000	0 ... 2 000	0 ... 3 000	0 ... 5 000
Overload	bar	1 500	2 500	3 500	6 000
Sensitivity (±0,5 % at 25 °C)	mV/bar	10	5	3,3	2
Natural frequency	kHz	>100	>100	>200	>200
Output signal:		Depends on measuring chain <sup>1)</sup>			
Output Impedance	Ω	10			
Supply (amplifier)	V DC	18 ... 30			
Zero (at 25 °C, 1 bar abs)	mV	<±100**)			
Endpoint Linearity	% FSO	<±0,5			
Thermal error:					
Zero Shift	% FSO	<±2			
sensitivity shift	%	<±1	<±1	<±2*)	<±2
Operating temperature range					
Sensor	°C	20 ... 120			
Amplifier Type 4618Ax	°C	0 ... 70			
Storage temperature	°C	-40 ... 140			
Operatung temperature	°C	0 ... 120			
Tightening Torque	N·m	15	15	15	20
Degree of protection		IP65			
Acceleration error	mbar/g	<10			
Service Life	Typical	>10 <sup>7</sup>	>10 <sup>7</sup>	>10 <sup>7</sup>	>10 <sup>6</sup>

<sup>1)</sup> Refer to table measuring chain

\*) A Version with reduced sensitivity shift (<±1%) is available. Type 4067C3000... Please see data sheet 4067C\_000-708.

\*\*\*) Tightened to specified torque

4067\_000-006e-08.08

**Dimensions**

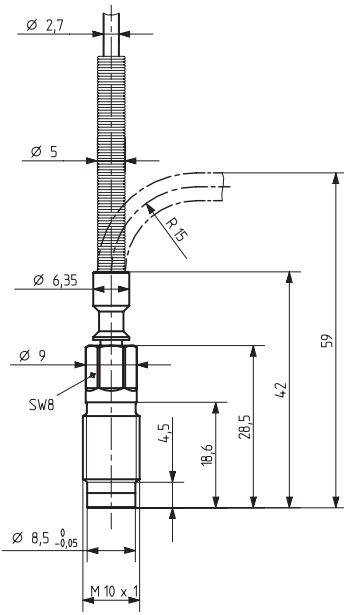


Fig. 1: Type 4067A...

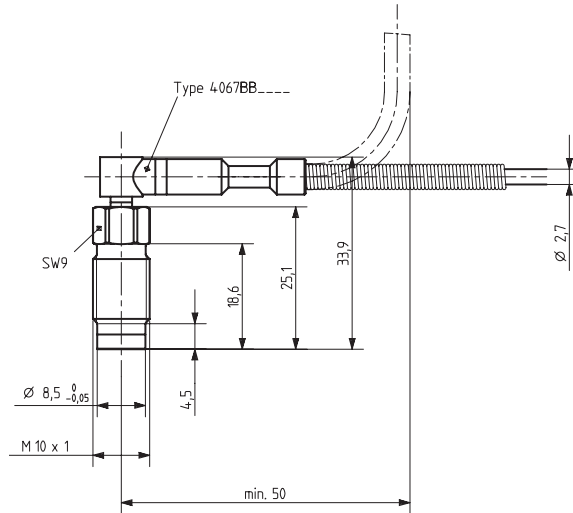


Fig. 2: Type 4067BB...

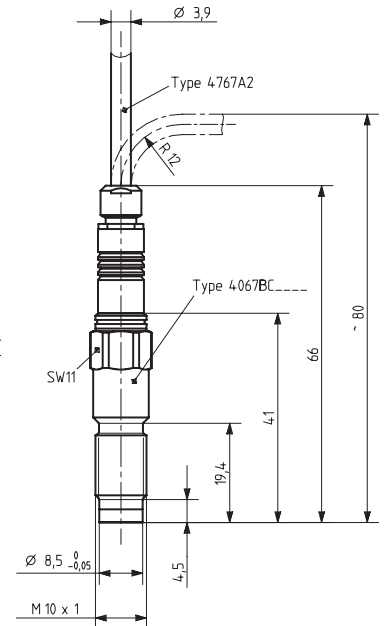


Fig. 3: Type 4067BC...

**Installation**

4067\_000-006e-08.08

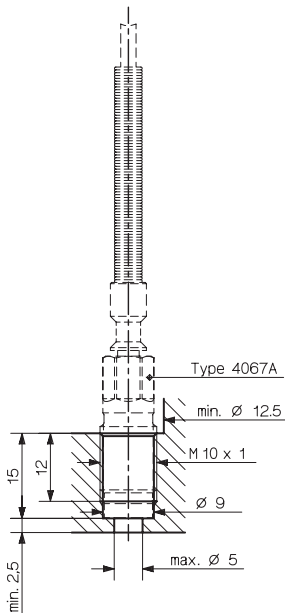


Fig. 4: Bore for direct mounting

**Hardened seal seat**

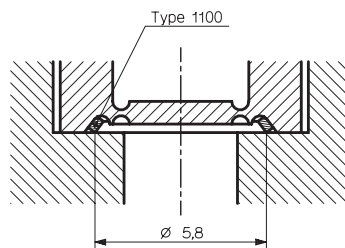


Fig. 5: Sealing with metal seal Type 1100

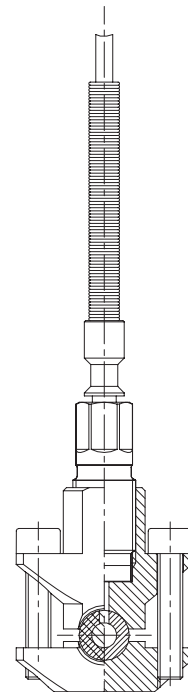


Fig. 6: Mounting in clamp adapter Type 6533A...

**Measuring Chain**

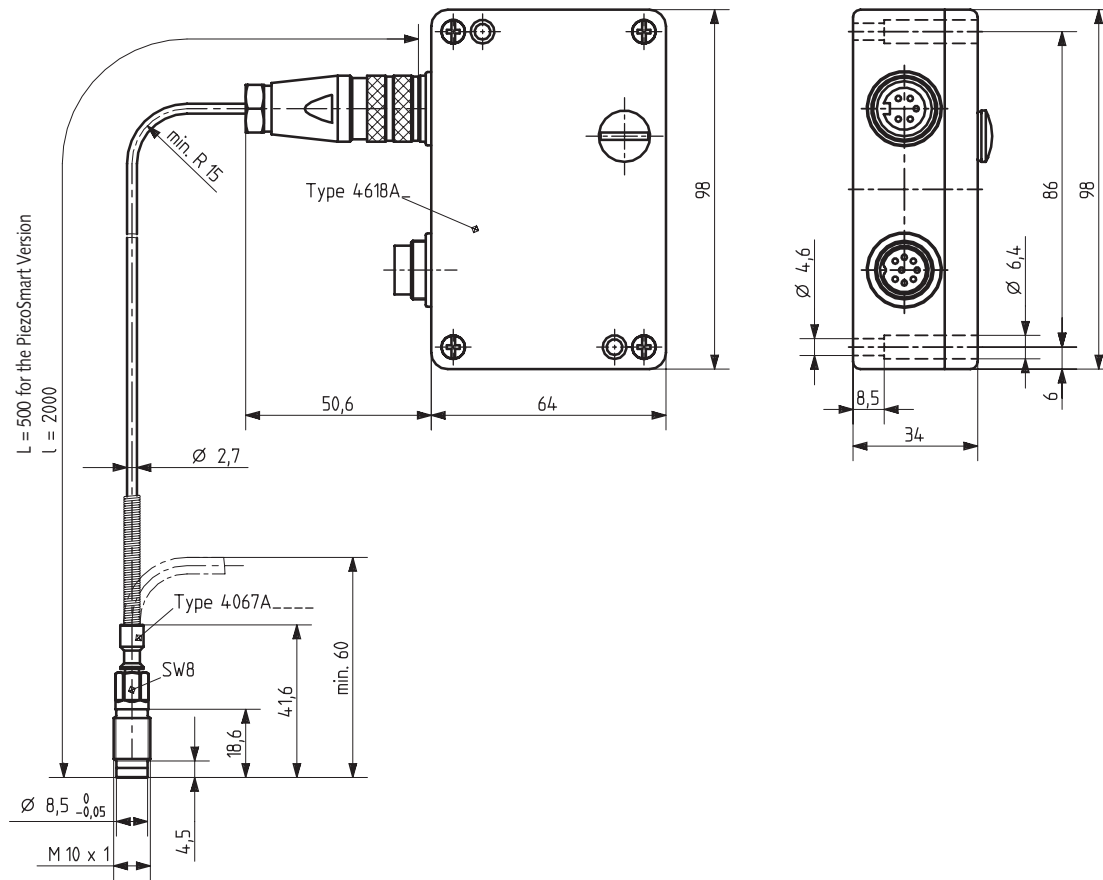


Fig. 7: Measuring chain

**Connector Pinout**

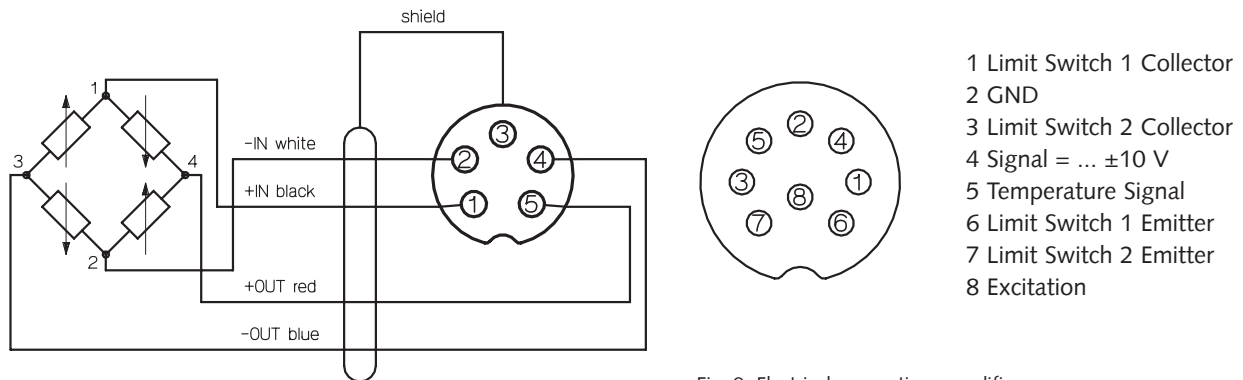


Fig. 8: Pin assignment

Fig. 9: Electrical connections amplifier

Connector Type 1500A81 is permanently fixed on the sensor cable (Fig. 8). The connector Type 1500A67 must be soldered to a suitable cable to supply the amplifier and for the signal and limit switch output (Fig. 9)

For more complete information on the amplifier Type 4618A... see data sheet 4618A\_000-293.

4067\_000-006e-08.08

**Accessories Included**

The complete measuring chain

Type 4067xxxxAx includes the following components:

- Sensor with integrated cable L = 2 m 4067...
- Amplifier, adjusted 4618A
- 8-pole connector for supply, output signal and limit switch 1500A57
- Spare sealing joints 1100

**Optional Accessories**

- Extension cable 4757A...
- Drill 1327
- Sealing joint 1100
- Screw tap M10x1 1353
- Finishing tool 1300A25
- Mounting key for deep bores 1300A41
- Torque wrench 4 ... 20 N·m 1300A39
- Torque wrench 8 ... 40 N·m 1300A11
- Fork wrench for Type 1300A39 or 1300A11, SW8 1300A29
- Fork wrench for Type 1300A39 SW9 1300A97
- Fork wrench for Type 1300A39 SW11 1300A75

**Optional Accessories**

- Dummy sensor 6449
- Clamp adapter for 6 mm line 6533A11
- Clamp adapter for 1/4" line 6533A12
- Clamp adapter for 6 ... 8 mm line 6533A18
- Clamp adapter for 8 ... 13 mm line 6533A19
- Clamp adapter for 13 ... 20 mm line 6533A110
- Adapter for Pressure generator Type 6905A 6925
- Replacement sensors see Page 3
- Cable for Type 4067BC... 4767A2
- Replacement amplifier, adjusted 4618A...

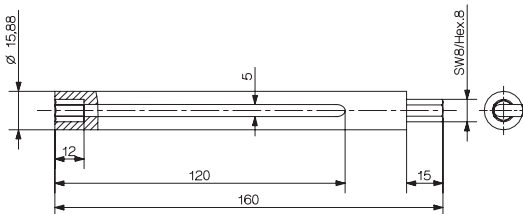


Fig. 10: Mounting key for deep bores Type 1300A41

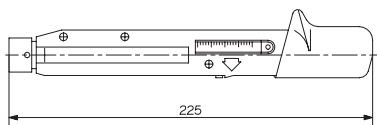


Fig. 11: Torque wrench Types 1300A11 and 1300A39

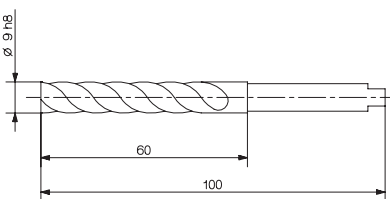


Fig. 12: Drill Type 1327

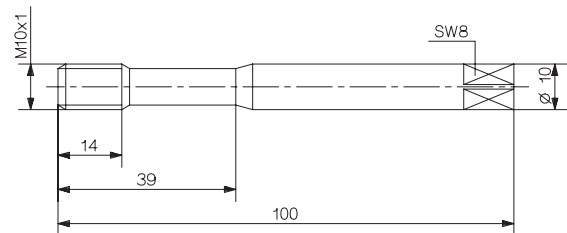


Fig. 13: Screw tap Type 1353

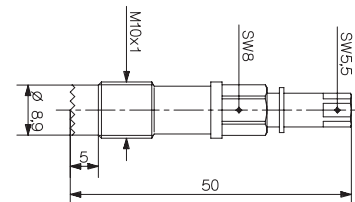


Fig. 14: Finishing tool Type 1300A25

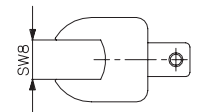


Fig. 15: Fork wrench Type 1300A29

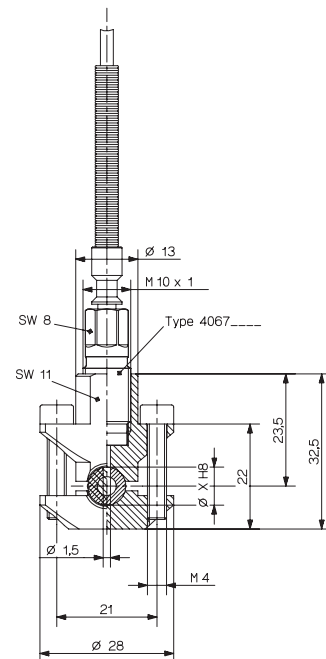


Fig. 16: Clamp adapter Type 6533A1...

4067\_000-006e-08.08

### Ordering Key

#### Measuring Chain

##### Design

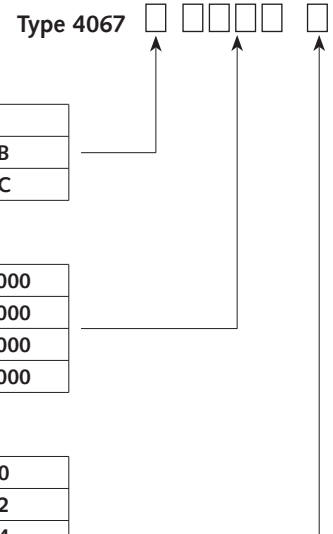
integrated cable	A
Cable with 90° connector	BB
With plug	BC

##### Measuring Range

0 ... 1 000 bar	1000
0 ... 2 000 bar	2000
0 ... 3 000 bar	3000
0 ... 5 000 bar	5000

##### Signal Output

for pressure measurement 10 V and 4 ... 20 mA	A0
for pressure measurement (0 ... 10 V) and temperature measurement (10 mV/°C)	A2
for pressure measurement (4 ... 20 mA) and temperature measurement (10 mV/°C)	A4
for pressure measurement (10 V or 4 ... 20 mA) and temperature measurement (with Type 4620A2)	D2
with PiezoSmart® *) cable length L = 500 mm	S



#### Sensors

Sensor as replacement comes with calibration plug Type 4958A0 or disk for digital compensation.

0 ... 1 000 bar	Type 4067 __1000
0 ... 2 000 bar	Type 4067 __2000
0 ... 3 000 bar	Type 4067 __3000
0 ... 5 000 bar	Type 4067 __5000

#### Amplifiers

as replacement, adjusted to a given sensor (including Type 4958A)	
for pressure measurement (0 ... 10 V) and (4 ... 20 mA)	Type 4618A0
Sensors with temperature measurement have to be calibrated at our factory	
for pressure measurement (0 ... 10 V) and temperature measurement (10 mV/°C)	Type 4618A2
for pressure measurement (4 ... 20 mA) and temperature measurement (10 mV/°C)	Type 4618A4
for pressure and temperature measurement with digital compensation	Type 4620A2

\*) For PiezoSmart® specifications please refer to the PiezoSmart® brochure doc. no. 100-421.

4067\_000-006e-08.08