

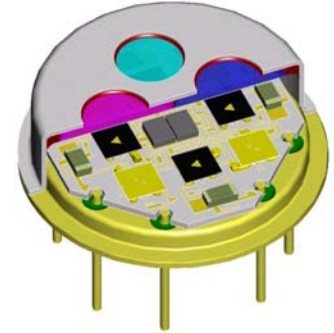
Datasheet - Multi Color Product

LMM-244-#

pyroelectric multispectral detector

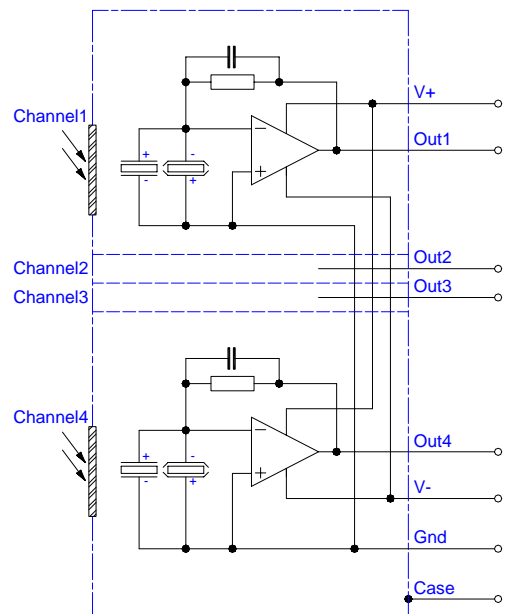
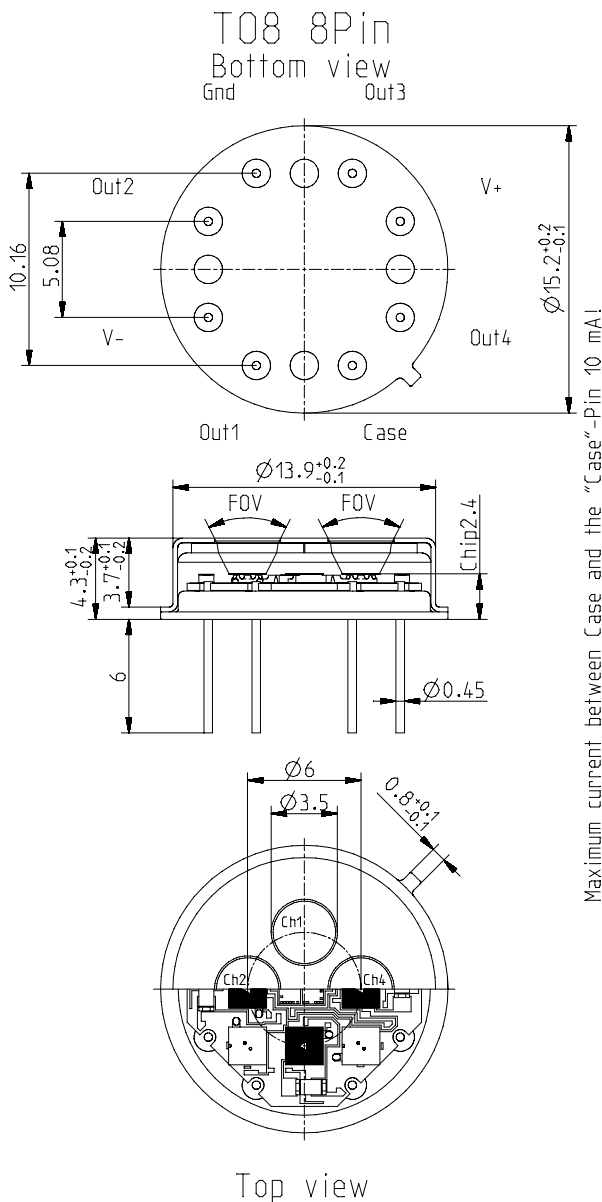
Description:

quad channel; TO8 housing; medium chip size; thermal compensation; low Micro; OpAmp; current mode; feedback 100GOhm;

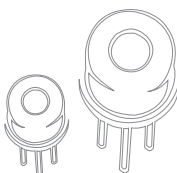
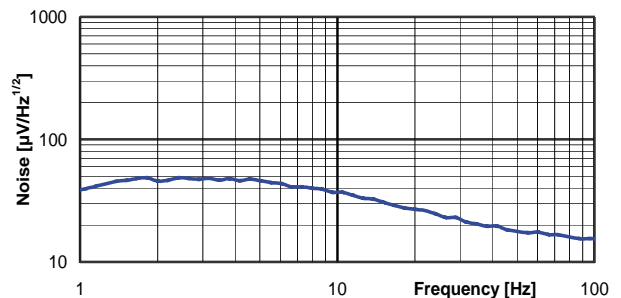
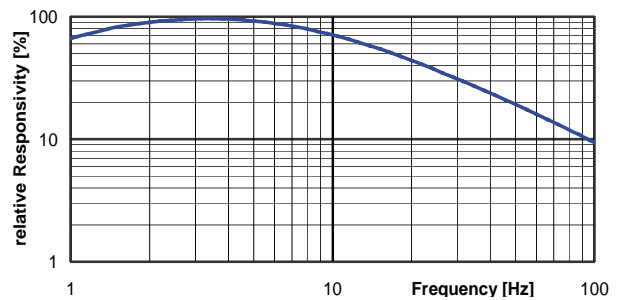


HOUSING:

PIN ASSIGNMENT:



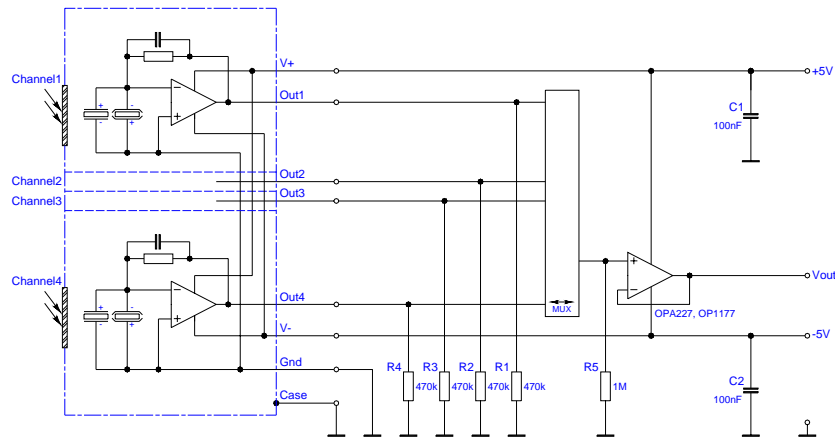
FREQUENCY RESPONSE:



LMM-244-#

pyroelectric multispectral detector

TEST CIRCUIT:



PARAMETERS:

Aperture size	nom	ø9.5 mm, single channel ø3.5 mm
Element size / type	nom	2.0x2.0 mm ² lithium-tantalate with black layer
Thermal time constant	typ	150 ms
Feedback resistor	nom	100 GOhm ±20%
Feedback capacitor	nom	0.2 pF ±0.1 pF
Polarity	nom	negative signal by positive IR flux change
Voltage responsivity (rms) {500K, 10 Hz, 25 °C, without window}	min	90,000 V/W
Noise density (rms) {10 Hz, BW 1 Hz, 25 °C}	max	45 μV/(sqrt[Hz])
Detectivity {500K, 10 Hz, 1 Hz, 25 °C, without window}	min	4.0E+08 cm(sqrt[Hz])/W
Acceleration response {5 ... 200Hz}	typ	300 μV/g; g = 9.81 m/s ²
Potential of detector case	nom	selectable potential between -8 ... +8V to Ground {EMC requires low-impedance coupling}
CMOS operational amplifier	nom	OpAmp2 (for characteristics see application note)
Supply voltage V+ - V-	max	16 V
Operating supply voltage V+ / V-		+2.2 ... 8.0 V / -2.2 ... -8.0 V
Recommended supply voltage V+ / V-	nom	V+ = +5 V; V- = -5 V
Supply current {output load 1MOhm}	max	150 μA
Offset voltage {25 °C; output load 1MOhm}		-5 mV ... +5 mV
Optimal output load	nom	330 kOhm
Absolute output current	max	±0.4 mA
Operating / Storage temperature	nom	-25 ... +85°C
IR window		Combinations of all InfraTec standard narrow band pass filters are available. Customized filters upon request.
Filter sizes	nom	rectangular filters: (4.20 x 4.20) mm ±0.1 mm circular filters: not applicable standard thickness: 0.50 mm +0.2/-0.1 mm thickness range 0.70 ... 1.10 mm on request
Field of View	min	CaF ₂ or BaF ₂ ; 0.4 mm thick: not applicable Silicon substrate; 0.5 mm thick: 50°