

Interactive Catalog Replaces Catalog Pages

Honeywell Sensing and Control has replaced the PDF product catalog with the new **Interactive Catalog**. The **Interactive Catalog** is a power search tool that makes it easier to find product information. It includes more installation, application, and technical information than ever before.



**Click this icon to try the new
Interactive Catalog.**

Sensing and Control
Honeywell Inc.

11 West Spring Street
Freeport, Illinois 61032



SUNSTAR自动化 <http://www.sensor-ic.com/> TEL: 0755-83376489 FAX:0755-83376182 E-MAIL:szss20@163.com

ZS-00395-05

ONE PART 5/8" PROXIMITY SENSOR

Description :

Environment-proof self-contained proximity sensor enclosed in a rugged hermetically sealed ceramic/stainless steel housing, designed to meet the requirements of aerospace applications.

Operation by the Eddy Current Killed Oscillator (ECKO) principle, which is used to detect metallic objects passing in front of the sensing face. Once a target metal is detected, a trigger signal is produced which is then passed through the output conditioning circuitry to give a high or low output, depending on the sensor application.



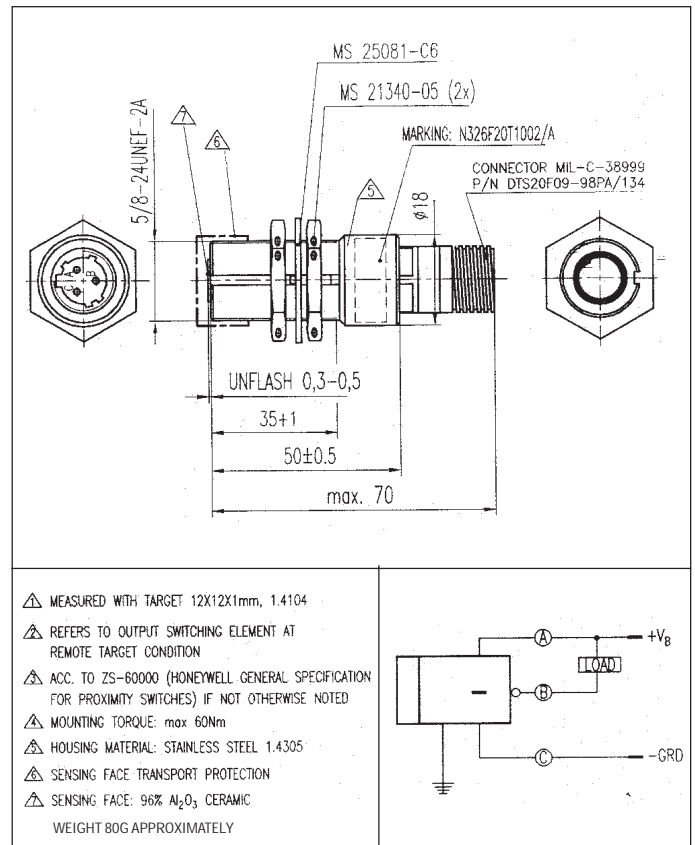
Features :

- All metal sensing
- Integral MIL-C-38999 connector
- High level EMC and lightning strike performance
- High level of electronics protection

Typical Applications :

- Aircraft landing gear
- Flight control surfaces
- Aircraft door monitoring

Dimensions in mm (for reference only)



Specifications

Sensing Characteristics :		
	Level	Specification (Note 1)
Switching function	Normally open, current sink	Note 2
Guaranteed actuation distance	≥ 1.90 mm	
Guaranteed deactuation distance	≤ 2.80 mm	
Electrical Specifications :		
Power Supply -		
Supply voltage	14 to 32.5 V	RTCA/DO-160C, CAT A
Ripple voltage	≤ 1.4 V /0.01-200 kHz	RTCA/DO-160C, CAT A
Surge voltage	46 V in 100 ms	RTCA/DO-160C, CAT A
Voltage spikes	600 V at 5 μs	RTCA/DO-160C, CAT A
Current consumption w/o load	≤ 10 mA	
Dielectric strength	> 500 V	MIL-STD-202, 301
Insulation resistance	> 100 MOhm at 45 V	
Grounding resistance	≤ 20 mOhm at 100 mA	
Output -		
On state output voltage	≤ 2.8 V at 250 mA	
Load current	≤ 250 mA	
Off state leakage current	≤ 100 μA	
Short circuit protection	Yes	
Environmental Specifications :		
Operating temperature range	-40° to +70° C	RTCA/DO-160C, 4.3
Survival temperature range	-55° to +100° C	RTCA/DO-160C, 4.3
Altitude/pressure	-454 m to 6,060 m	MIL-STD-810E, 500.3, 11
Humidity	Aggravated	MIL-STD-810E, 507.3, 111
Immersion	250 mbar	AIR 1810A, 5.1
Salt mist	Aggravated screening	MIL-STD-810E, 509.3, 1
Sand/dust	Blowing sand	MIL-STD-810E, 510.3
Vibration	Category 6	MIL-STD-810E, 514.4, 1
Vibration spectrum code	TBD	MIL-STD-810E, 514.4
Operational shock	TBD	MIL-STD-810E, 516.4
Constant acceleration	TBD	MIL-STD-810E, 513.4
Fungi	Resistant	MIL-STD-810E, 506.4
EMC Requirements :		
AF conducted susceptibility	Category A	RTCA/DO-160C, 18
Induced signal susceptibility	Category Z	RTCA/DO-160C, 19
RF susceptibility, conducted/radiated	Category W/Y	RTCA/DO-160C, 20
RF emission	Category Z	RTCA/DO-160C, 21
Lightning induced transit susceptibility	Category A1E5	RTCA/DO-160C, 22 JUNE, 19 1992
Mean Time Between Failure prediction	120000 hrs	MIL-HDBK-217 E
Notes :		
1. Unless otherwise stated, tested to or by similarity to Honeywell internal specifications 2. Refers to output switching element at remote target condition		
Ordering guide		
Listing	Description	
ZS-00395-05	Normally open, current sinking	