

Interactive Catalog Replaces Catalog Pages

Honeywell Sensing and Control has replaced the PDF product catalog with the new **Interactive Catalog**. The **Interactive Catalog** is a power search tool that makes it easier to find product information. It includes more installation, application, and technical information than ever before.



**Click this icon to try the new
Interactive Catalog.**

Sensing and Control

Honeywell Inc.

11 West Spring Street
Freeport, Illinois 61032



SUNSTAR自动化 <http://www.sensor-ic.com/> TEL: 0755-83376489 FAX:0755-83376182 E-MAIL:szss20@163.com

ZS-00370-01

ONE PART 15/32" PROXIMITY SENSOR

Description :

Environment-proof self-contained proximity sensor enclosed in a rugged hermetically sealed ceramic/stainless steel housing, designed to meet the requirements of aerospace applications.

Operation by the Eddy Current Killed Oscillator (ECKO) principle, which is used to detect metallic objects passing in front of the sensing face. Once a target metal is detected, a trigger signal is produced which is then passed through the output conditioning circuitry to give a high or low output, depending on the sensor application.



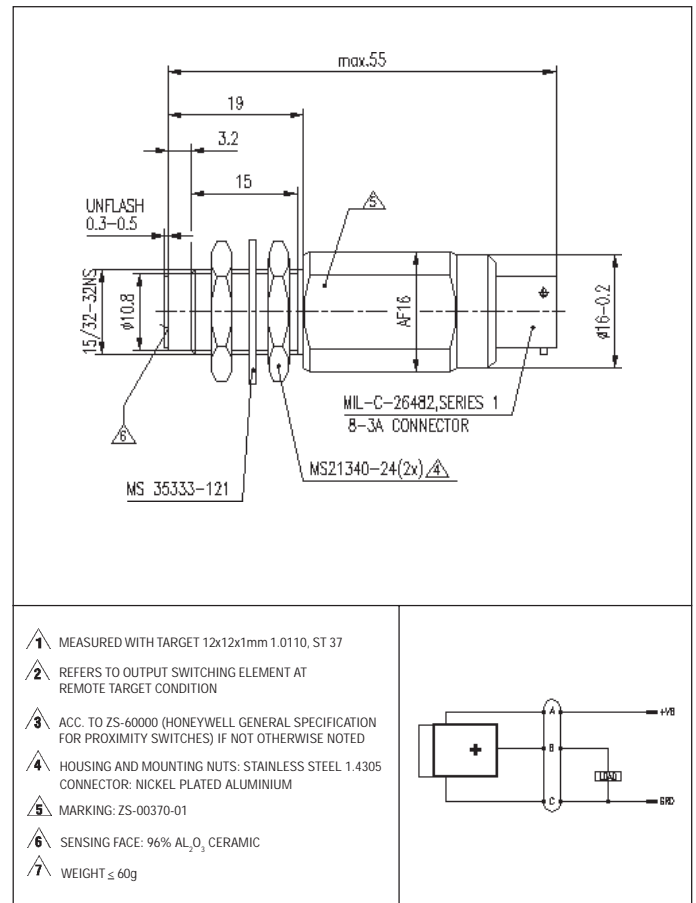
Features :

- All metal sensing
- Integral MIL-C 26482 connector
- High level EMC and lightning strike performance
- High level of electronics protection

Typical Applications :

- Aircraft landing gear
- Flight control surfaces
- Aircraft door monitoring

Dimensions in mm (for reference only)



Specifications

Sensing Characteristics :		
	Level	Specification (Note 1)
Switching function	Normally open, current source	Note 2
Nominal sensing distance	2.5 mm	
Effective sensing distance	2.25 to 2.75 mm	
Differential travel	1 to 10 %	
Guaranteed actuation distance	≥ 2.10 mm	
Guaranteed deactuation distance	≤ 3.50 mm	
Reproduceability	≤ 1 %	
Repetition rate of sensing	2000 Hz Max	
Power on delay	≤ 10 ms	
Electrical Specifications :		
Power Supply -		
Supply voltage	14 to 32.5 V	ABD 0013, 6-1.6-2.6-3-4
Ripple voltage	≤ 1.4 V /0.01-200kHz	ABD 0013, 6-4
Surge voltage	46 V in 100 ms	ABD 0013, 6-3-1
Voltage spikes	600 V at 5 μs	ABD 0013, 6-3-3
Current consumption w/o load	≤ 10 mA	
Dielectric strength	> 500 V	ABD 0007, 2-3.7.1
Insulation resistance	> 100 MOhm at 45 V	ABD 007, 2-3.7.2
Output -		
On state output voltage	≤ 1.65 V at 250 mA	
Load current	≤ 250 mA to +20° C LIN FALLING to 200 mA at +85° C	
Off state leakage current	≤ 100 μA	
Short circuit protection	Yes	
Environmental Specifications :		
Operating temperature range	-55° to +85° C	RTCA/DO-160C, 4.3
Storage temperature	-65° to +85° C	IEC 68-2-8/68-2-2
Altitude/pressure	-302 m to 13,060 m	ABD 0007, 3-3
Water	Category R	RTCA/DO-160C, 10.2
Salt mist	Category S	ABD 0007, 3-7
Vibration	Category 6 (D/R)	ABD 0007, 3-9.2
Shock	6 g/11ms	ABD 0007, 3-11.1
Constant acceleration	6.5 gn	ABD 0007, 3-12.3
Fungi	Category F	ABD 0007, 3-13
Pollution	Engine and gearbox oil, aviation fuel, sea water, water, ethanol, methanol	Clause 14.3 DEF 133
Magnetic effects	Category A	ABD 0007, 3-17.2
EMC Requirements :		
AF conducted susceptibility	Category A	RTCA/DO-160C, 18
Induced signal susceptibility	Category A	RTCA/DO-160C, 19
RF susceptibility	Category W	RTCA/DO-160C, 20
RF emission	Category A	RTCA/DO-160C, 21
Lightning induced transit susceptibility	Category M	RTCA/DO-160C, 22
Mean Time Between Failure prediction	120000 hrs	MIL-HDBK-217 E
Notes :		
1. Unless otherwise stated, tested to or by similarity to Honeywell internal specifications		
2. Refers to output switching element at remote target condition		
Ordering guide		
Listing	Description	
ZS-00370-01	Normally open, current source	