

Interactive Catalog Replaces Catalog Pages

Honeywell Sensing and Control has replaced the PDF product catalog with the new **Interactive Catalog**. The **Interactive Catalog** is a power search tool that makes it easier to find product information. It includes more installation, application, and technical information than ever before.



**Click this icon to try the new
Interactive Catalog.**

Sensing and Control
Honeywell Inc.

11 West Spring Street
Freeport, Illinois 61032



SUNSTAR自动化 <http://www.sensor-ic.com/> TEL: 0755-83376489 FAX:0755-83376182 E-MAIL:szss20@163.com

100FW SERIES

ONE PART 5/8" PROXIMITY SENSOR

Description :

Environment-proof self-contained proximity sensor enclosed in a rugged hermetically sealed stainless steel housing, designed to meet the requirements of aerospace, ordnance, marine, mass transit and high performance industrial equipment.

Operation by the Eddy Current Killed Oscillator (ECKO) principle, which is used to detect metallic objects passing in front of the sensing face. Once a target metal is detected, a trigger signal is produced which is then passed through the output conditioning circuitry to give a high or low output, depending on the sensor application.



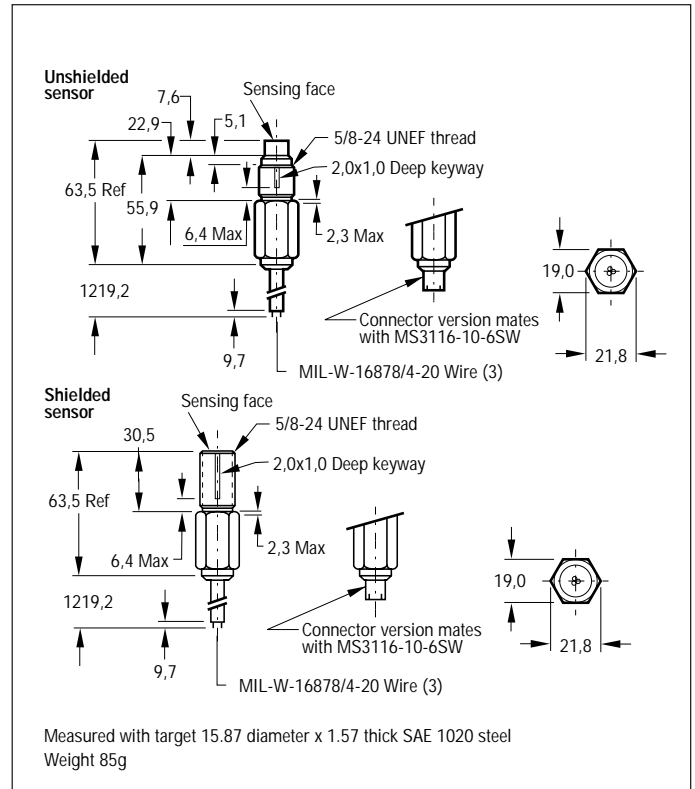
Features :

- All metal sensing
- Small size 5/8" housing
- High level of electronics protection
- Leadwire or connector termination
- Factory mutual certified for Class 1, Division 2, Groups A, B, C, D.

Typical Applications :

- Aircraft landing gear
- Gun turret position control
- Door and hatch open/closed monitoring

Dimensions in mm (for reference only)



Specifications

Sensing Characteristics :				
Sensor	5/8-24 UNEF thread shielded		5/8-24 UNEF thread unshielded	
Sensing distance (mm)	2.41 ± 0.51		5.84 ± 0.76	
Connector	Connector	Leadwire	Connector	Leadwire
Current sinking, Normally open	112FW12-R1	112FW12-4	122FW12-R1	122FW12-4
Repeatability, max.	±1%	±1%	±1%	±1%
Switching frequency	500 Hz	500 Hz	500 Hz	500 Hz
Standard target	15,9 dia x 1,59 mm		15,9 dia x 1,59 mm	
Target material	All metals		All metals	
Reliability	High		High	
Speed/response time	Moderate		Moderate	
Sensing Face	High temperature phenolic		High temperature phenolic	
Power Supply :				
Supply voltage (Vs)	18-32 Vdc			
Leakage current	10 µA			
Output Characteristics :				
Voltage drop, max.	1,0 V			
Current consumption, max. (exclusive of load)	20 mA			
Load current, max.	120 mA. 50 mA lamp			
Environmental Characteristics :				
Vibration	25 G peak sinusoidal			
Shock	MIL-STD-810B Method 516: 100G 1 m sec			
Salt spray	MIL-STD-810B Method 509: 5% 48 hours			
Sand and dust	MIL-STD-810B Method 510: varying temperature and velocities 28 hours			
Humidity	MIL-STD-810B Method 507: 95% RH @ 65° C			
Chemicals	Resistance to skydrol and typical aircraft fuels			
Altitude	Sea level to + 21,212 m			
Temperature range	-55 to 125° C			
Housing	Stainless steel			
Special Features :				
EMI resistance	Moderate (Note 1)			
Circuit protection	Transients, MIL-STD-704			
	False pulse			
	Load shorts			
	EMI, MIL-STD-461A			
	Reverse voltage			
	400 Hz interference			
Notes :				
1. EMI resistance can be improved by filtering, at increased cost.				
Ordering Guide				
Listing	Termination	Description		
112FW12-R1	Connector	Normally open, current sinking		
112FW12-4	Leadwire	Normally open, current sinking		
122FW12-R1	Connector	Normally open, current sinking		
122FW12-4	Leadwire	Normally open, current sinking		