



Tactile Switches 6mm × 6mm Top Push

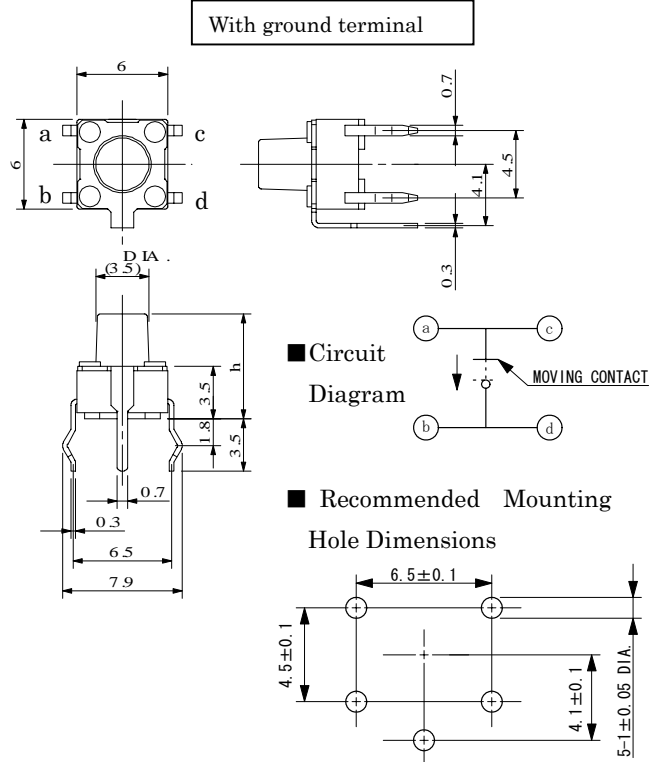
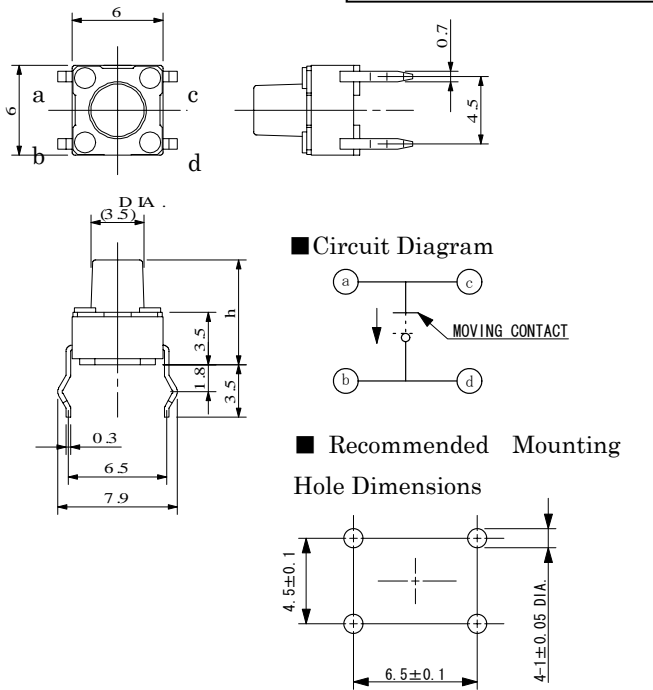
General

■ Features

- Crisp clicking by tactile feedback
- Prevent flux rise by insert-molded terminal
- Ground terminal is attached
- Snap-in mount terminal



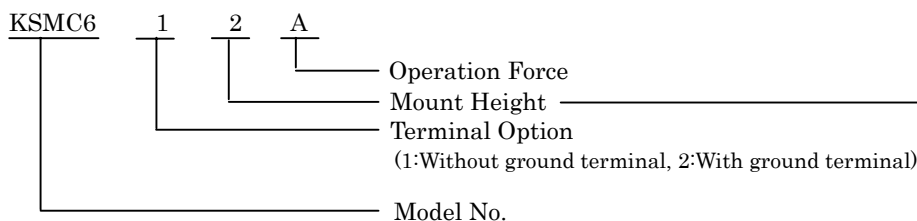
■ Dimensions (Unit : mm)



■ Specifications

Item	Specification	Unit	Note
Operating Temperature Range	-20~+70	°C	
Storage Temperature Range	-40~+85	°C	
Type of Operation	Tactile Feedback		
Circuit Configuration	Push-On Momentary, 1 pole·1 throw		
Power Rating	MAX 50mA 24VDC		
Contact Resistance	MAX 100	mΩ	
Insulation Resistance	100MΩ Min. at 100VDC		
Dielectric Withstanding Voltage	250VAC for 1 minute		
Contact Bounce	MAX 5	ms	
Operating Force	0.98±0.49	N	A type
	1.57±0.49	N	B type
Return Force	MIN 0.10	N	A type
	MIN 0.49	N	B type
Travel	0.25 +0.2/-0.1	mm	

■ Model Designation



	h (mm)
1	4.3
2	5
3	7
4	9.5



Tactile Switches 6mm × 6mm Top Push

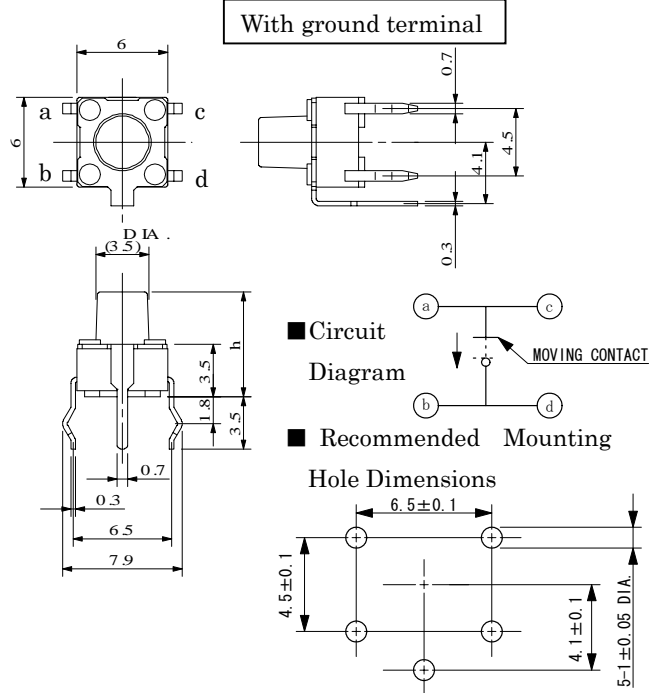
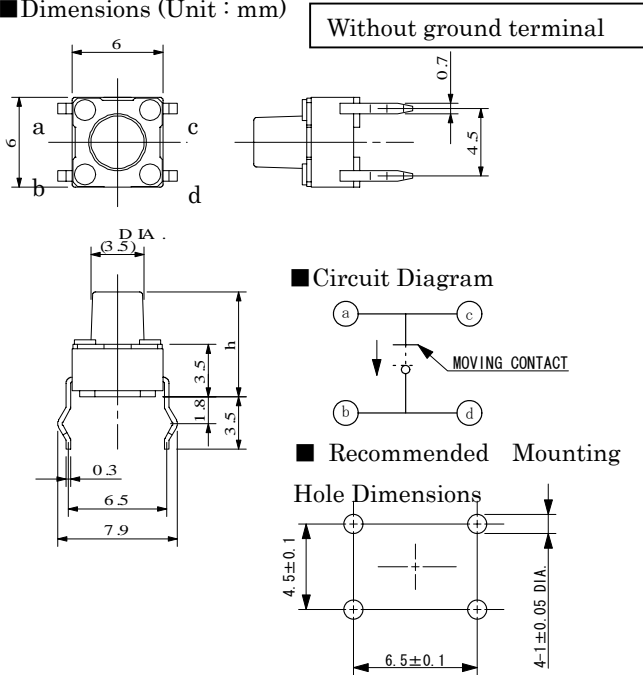
Operating Force 2.55N

■ Features

- Crisp clicking by tactile feedback
- Prevent flux rise by insert-molded terminal
- Ground terminal is attached
- Snap-in mount terminal



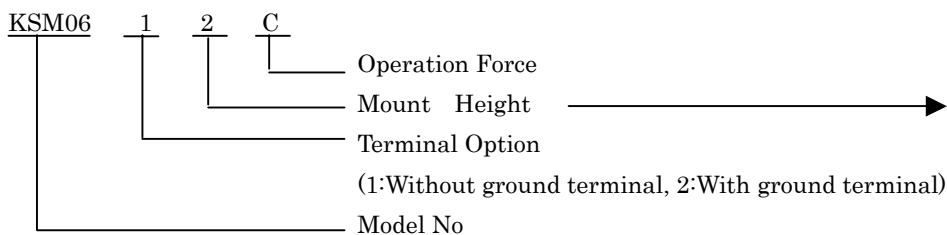
■ Dimensions (Unit : mm)



■ Specifications

Item	Specification	Unit	Note
Operating Temperature Range	-20~+70	°C	
Storage Temperature Range	-40~+85	°C	
Type of Operation	Tactile Feedback		
Circuit Configuration	Push-On Momentary, 1 pole-1 throw		
Power Rating	MAX 50mA 24VDC		
Contact Resistance	MAX 100	mΩ	
Insulation Resistance	100MΩ Min. at 100VDC		
Dielectric Withstanding Voltage	250VAC for 1 minute		
Contact Bounce	MAX 5	ms	
Operating Force	2.55±0.69	N	
Return Force	MIN 0.49	N	
Travel	0.25 +0.2/-0.1	mm	

■ Model Designation



	h (mm)
1	4.3
2	5
3	7
4	9.5