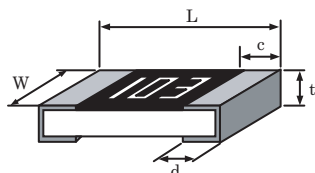




Dimensions

Dimension : A spec.

(mm)

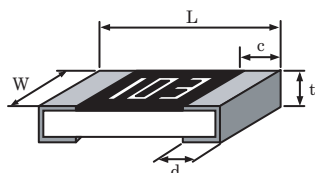


Model No. *1	L	W	c	d	t
CR04 (CR1/32)	0.40 ± 0.02	0.20 ± 0.02	0.10 ± 0.03	0.10 ± 0.03	0.13 ± 0.02
CR06 (CR1/20)	0.60 ± 0.03	0.30 ± 0.03	0.12 ± 0.05	0.15 ± 0.05	0.23 ± 0.03
CR10 (CR1/16S), LCR10 (LCR1/16S) CRS10, LCRS10	1.00 ± 0.05	0.50 ± 0.05	0.20 ± 0.10	0.25 ± 0.10	0.35 ± 0.05
CR16 (CR1/16), LCR16 (LCR1/16) FCR16 (FCR1/16), CRS16, LCRS16, SCR16	1.60 ± 0.15	0.80 ^{+0.20} -0.10	0.25 ± 0.20	0.25 ± 0.20	0.50 ^{+0.15} -0.05
CR20 (CR1/10), LCR20 (LCR1/10) UCR20 (UCR1/10), FCR20 (FCR1/10) CRS20, LCRS20, SCR20	2.00 ^{+0.20} -0.10	1.25 ^{+0.20} -0.10	0.40 ± 0.20	0.40 ± 0.20	0.50 ^{+0.15} -0.05
CR32 (CR1/8), LCR32 (LCR1/8) ECR32, FCR32 (FCR1/8) CRS32, LCRS32, SCR32, WCR32	3.20 ^{+0.10} -0.15	1.60 ^{+0.10} -0.15	0.50 ± 0.20	0.50 ± 0.20	0.55 ^{+0.15} -0.05
CR35 (CR1/4), LCR35 (LCR1/4) FCR35 (FCR1/4), CRS35, LCRS35, SCR35	3.20 ^{+0.10} -0.15	2.60 ^{+0.10} -0.15	0.50 ± 0.20	0.50 ± 0.20	0.55 ^{+0.15} -0.05
CR50 (CR1/2), LCR50 (LCR1/2) ECR50, FCR50 (FCR1/2) CRS50, LCRS50, SCR50, WCR50	5.00 ± 0.15	2.50 ± 0.20	0.60 ± 0.25	0.60 ± 0.25	0.56 ± 0.15
CR64 (CR1) LCR64 (LCR1), SCR64	6.30 ± 0.15	3.20 ± 0.20	0.60 ± 0.25	0.60 ± 0.25	0.56 ± 0.15

*1 (): Conventional Model No.

Dimension : B spec.

(mm)



Model No. *1	L	W	c	d	t
CR04 (CR1/32)	0.40 ± 0.02	0.20 ± 0.02	0.10 ± 0.03	0.10 ± 0.03	0.13 ± 0.02
CR06 (CR1/20)	0.60 ± 0.03	0.30 ± 0.03	0.12 ± 0.05	0.15 ± 0.05	0.23 ± 0.03
CR10 (CR1/16S), LCR10 (LCR1/16S) CRS10, LCRS10	1.00 ± 0.05	0.50 ± 0.05	0.20 ± 0.10	0.25 ± 0.10	0.35 ± 0.05
CR16 (CR1/16), LCR16 (LCR1/16) FCR16 (FCR1/16), CRS16, LCRS16, SCR16	1.60 ± 0.15	0.80 ± 0.15	0.30 ± 0.20	0.30 ± 0.20	0.45 ± 0.10
CR20 (CR1/10), LCR20 (LCR1/10) UCR20 (UCR1/10), FCR20 (FCR1/10) CRS20, LCRS20, SCR20	2.00 ± 0.20	1.25 ± 0.10	0.40 ± 0.20	0.40 ± 0.20	0.50 ± 0.10
CR32 (CR1/8), LCR32 (LCR1/8) ECR32, FCR32 (FCR1/8) CRS32, LCRS32, SCR32, WCR32	3.20 ^{+0.10} -0.15	1.60 ^{+0.10} -0.15	0.50 ± 0.20	0.50 ± 0.20	0.55 ^{+0.15} -0.05
CR35 (CR1/4), LCR35 (LCR1/4) FCR35 (FCR1/4), CRS35, LCRS35, SCR35	3.20 ^{+0.10} -0.15	2.60 ^{+0.10} -0.15	0.50 ± 0.20	0.50 ± 0.20	0.55 ^{+0.15} -0.05
CR50 (CR1/2), LCR50 (LCR1/2) ECR50, FCR50 (FCR1/2) CRS50, LCRS50, SCR50, WCR50	5.00 ± 0.15	2.50 ± 0.20	0.60 ± 0.25	0.60 ± 0.25	0.56 ± 0.15
CR64 (CR1) LCR64 (LCR1), SCR64	6.30 ± 0.15	3.20 ± 0.20	0.60 ± 0.25	0.60 ± 0.25	0.56 ± 0.15

*1 (): Conventional Model No.

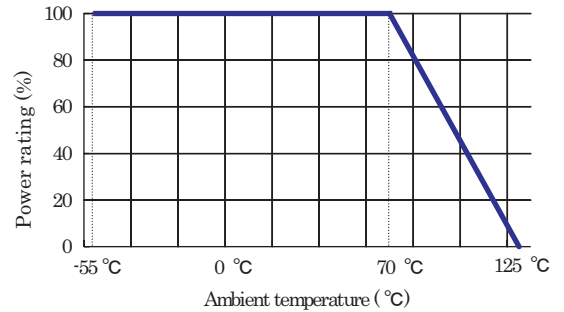
*There is no difference of manufacturing method, construction method, etc. on outline dimension between A spec and B spec.



Power Rating

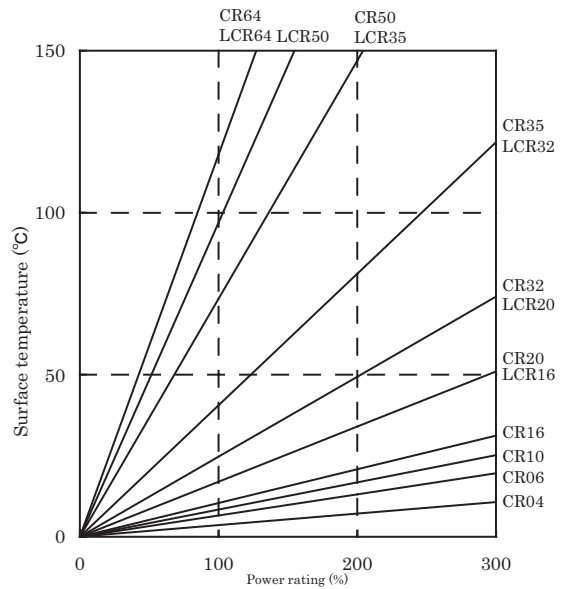
Power rating

For resistors operated in ambient temperature above 70 °C, power rating must be derated in accordance with the derating curve.



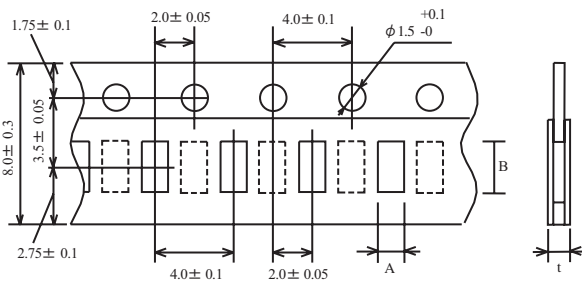
Surface temperature

Surface temperature rise is shown in this figure. Please notice that CR50 and CR64 have high temperature rise when Loaded 100%.





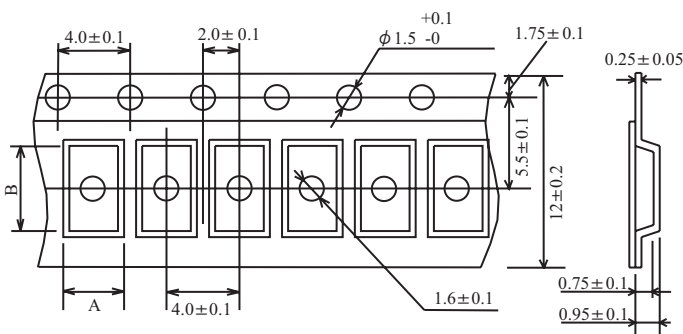
■ Paper tape (mm)



For CR06, CR10, NCR104, ACR102 and ACR104,
cavity pitch is 2mm.
□ show the cavity.

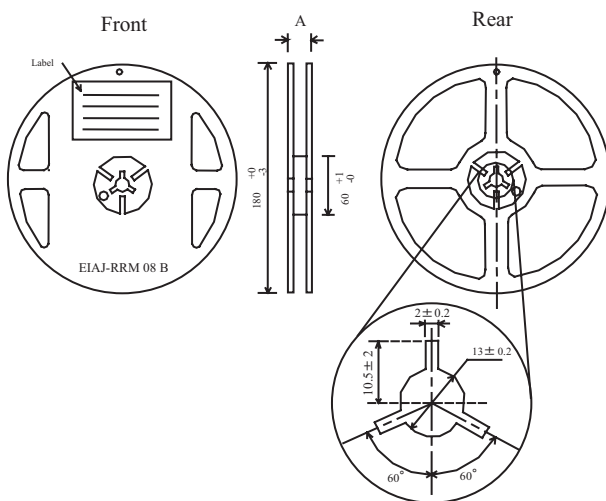
Size Code Inch (mm)	Model No.	A	B	t
01005 (0402)	CR04	0.25±0.02	0.45±0.02	0.36±0.05
0201 (0603)	CR06	0.38±0.05	0.68±0.05	0.38±0.05
0402 (1005)	CR10, LCR10, CRS10 LCRS10	0.7±0.08	1.2±0.08	0.5±0.10
0603 (1608)	CR16, LCR16, FCR16 CRS16, LCRS16, SCR16	1.10±0.20	1.90±0.20	0.7±0.10
0805 (2012)	CR20, LCR20, UCR20 FCR20, CRS20, LCRS20 SCR20	1.65±0.20	2.40±0.20	0.8±0.20
0606 (1616)	NCR162	1.85±0.10	1.85±0.10	
1206 (3216)	CR32, LCR32, ECR32, FCR32 CRS32, LCRS32, SCR32 WCR32, NCR164, ACR164	2.00 +0.10 -0.15	3.75 +0.10 -0.15	0.8±0.20
1210 (3225)	CR35, LCR35, FCR35 CRS35, LCRS35, SCR35	2.90±0.10	3.60±0.10	
0804 (2010)	NCR104, ACR104	1.20±0.10	2.20±0.10	0.45±0.10
0404 (1010)	ACR102	1.14±0.08	1.14±0.08	0.42±0.10

■ Embossed tape (mm)



Size Code Inch (mm)	Model No.	A	B
2010 (5025)	CR50, LCR50, ECR50 FCR50, CRS50, LCRS50 SCR50, WCR50	2.9±0.1	5.3±0.1
2512 (6432)	CR64, LCR64, SCR64 NCR3A8, NCR3B8	3.4±0.1	6.6±0.1

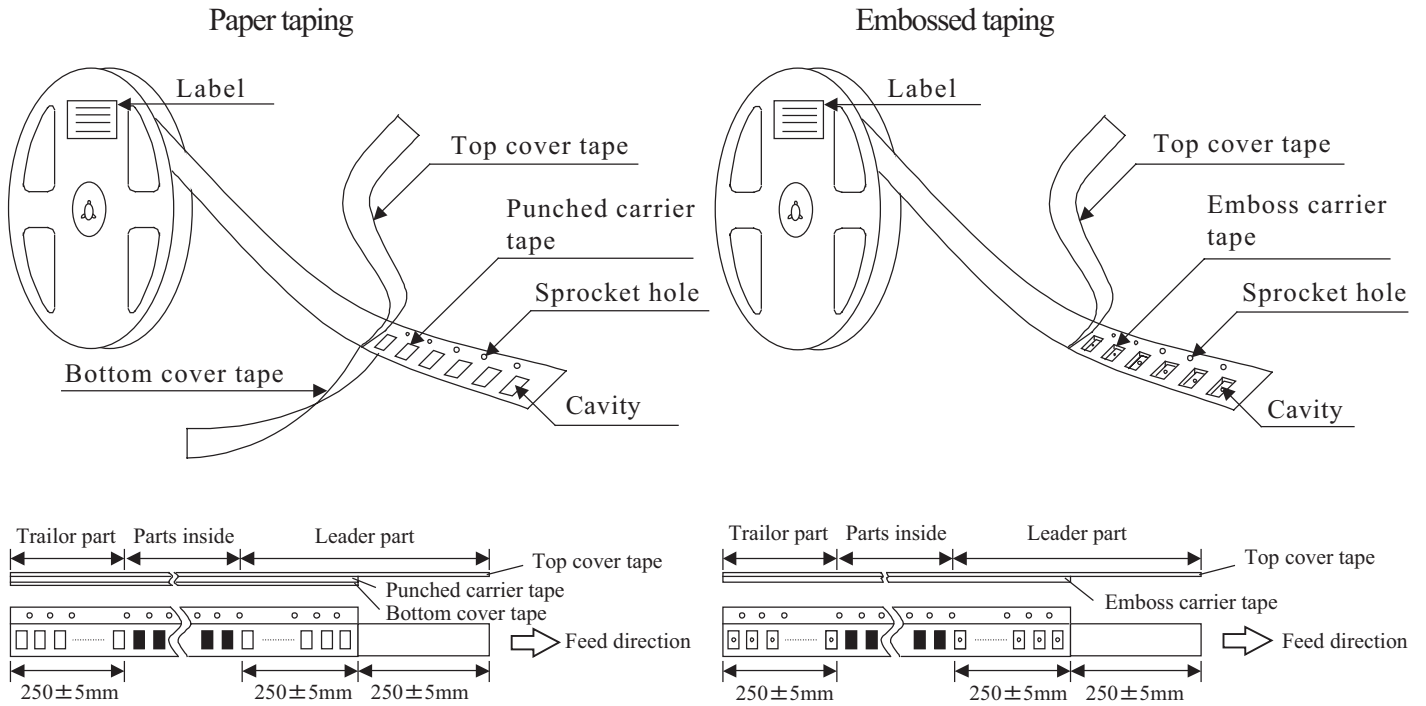
■ Reel (mm)



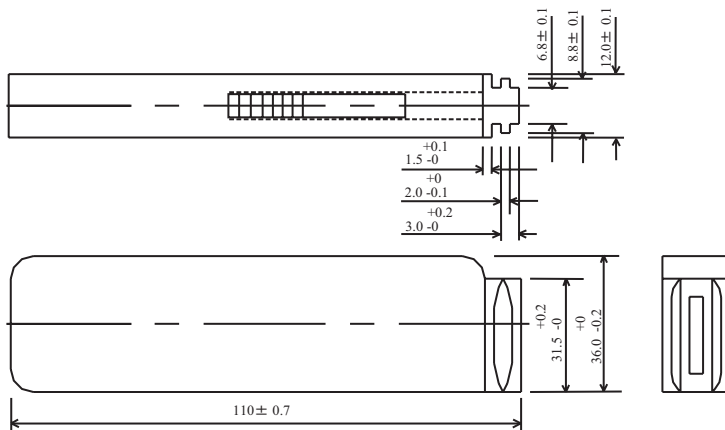
Size Code Inch (mm)	Model No.	Quantity/Reel	A (mm)
0201 (0603)	CR06	15,000	11.4 ± 1.1
01005 (0402)	CR04	20,000	
0402 (1005)	CR10, LCR10, CRS10, LCRS10	10,000	
0804 (2010)	NCR104, ACR104		
0404 (1010)	ACR102		
0603 (1608)	CR16, LCR16, FCR16, CRS16, LCRS16, SCR16		
0805 (2012)	CR20, LCR20, UCR20, FCR20, CRS20, LCRS20, SCR20	5,000	
1206 (3216)	CR32, LCR32, ECR32, FCR32, CRS32 LCRS32, SCR32, WCR32, NCR164, ACR164		
1210 (3225)	CR35, LCR35, FCR35, CRS35, LCRS35, SCR35		
0606 (1616)	NCR162		
2010 (5025)	CR50, LCR50, ECR50, FCR50, CRS50 LCRS50, SCR50, WCR50	4,000	15.4 ± 1.0
2512 (6432)	CR64, LCR64, SCR64, WCR64 NCR3A8, NCR3B8		



■ Taping composition



■ Bulkcase (mm)



Packaging quantity

Model No.	Quantity / Case
CR10	50,000
CR16	25,000
CR20	10,000
CR32	5,000

Please contact our sales offices about another packaging.