

Figaro Oxygen Sensor SK-25F

Features:

- * Virtually no influence from CO₂, CO, H₂S, NO_x, H₂
- * Operates in normal ambient temperatures
- * Good linearity
- * No position dependency
- * Stable output signal
- * No external power supply required for sensor operation
- * No warmup time is required

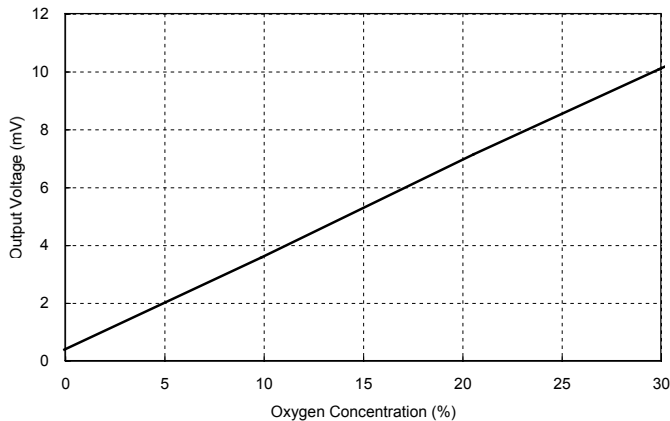
Applications:

- * Biotechnology - Oxygen incubators, anaerobic cultivators
- * Food industry - Refrigeration, greenhouses
- * Safety - Air conditioners, oxygen detectors, fire detectors, fuel cell systems

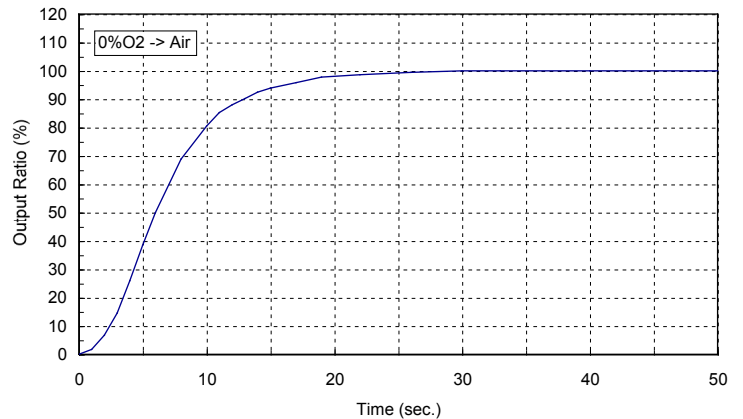
The Figaro Oxygen Sensor SK-25F is a unique galvanic cell type oxygen sensor. Its most notable features are no influence from CO₂, good linearity up to 30% Oxygen, and excellent chemical durability. This feature makes the sensor ideal for oxygen monitoring in various applications such as the biochemical field, food industry, and domestic safety applications.



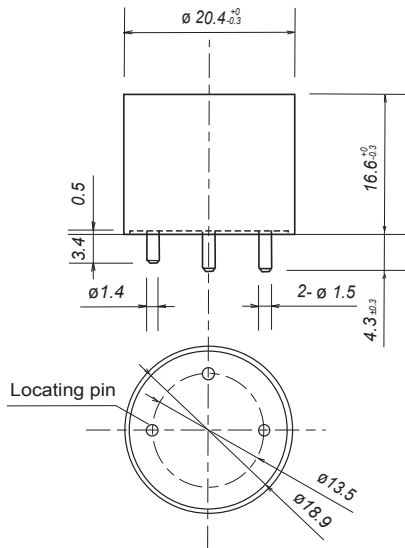
Sensitivity characteristics (typical values under std. test conditions)



Response time (typical)



Dimensions



u/m: mm

If not specified, all tolerances are ± 0.2 mm

Specifications

Item		Model
		SK-25F
Measurement range		0~30% O ₂
Accuracy (Note 1)		$\pm 1\%$ full scale
Operating conditions	Atmospheric	811hPa~1216hPa
	Temperature	0°~40°C
	Relative humidity	10~90%RH (no condensation)
Response time (90%)		approx 15 seconds
Initial output voltage under standard test conditions		5.5~8.5mV
Standard test conditions	Atmospheric pressure	1013 \pm 5hPa
	Temperature	20 \pm 1°C
	Relative humidity	60 \pm 5%RH
Life expectancy at 20°C in normal air		approx. 2.5 years

FIGARO ENGINEERING INC.
 1-5-11 Senba-nishi
 Mino, Osaka 562-8505 JAPAN
 Phone: (81)-72-728-2561
 Fax: (81)-72-728-0467
www.figaro.co.jp
 email: figaro@figaro.co.jp