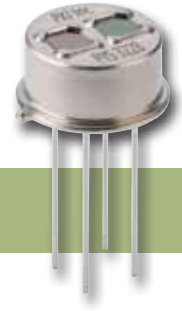


# PYRODETECTORS FOR GAS MONITORING AND MEASURING



## PYS 3228, PYS 3428 – Dual Channel Pyro

### Applications

- Gas sensing and monitoring

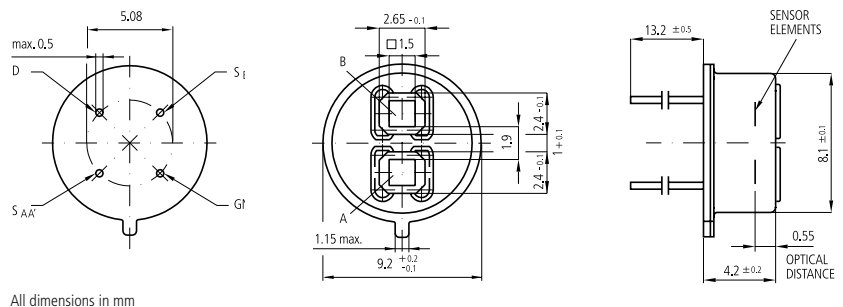
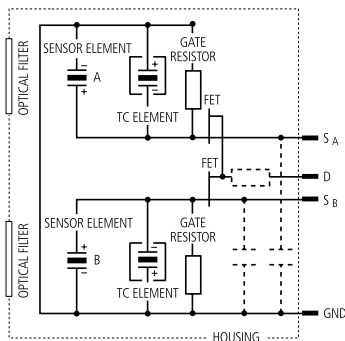
### Features and Benefits

- TO-5 metal housing
- Dual channel output
- Each channel with individual filter window
- Selection of narrow band pass filters
- Thermal compensation option
- EMI protection option

### Product Description

As successor of the LHi 814 series the PYS 3228 dual channel detectors have become standard for gas sensing applications, with two individual elements of size 1.5 x 1.5 and additional temperature compensation. They are available with a range of narrow band pass filters, as specified on page 7 in combination with a reference filter.

The same features are included with the PYS 3428, which offers additional EMI protection by internal capacitors.



### PYS 3228, PYS 3428 – Dual Channel Pyro

Parameter	Symbol	PYS 3228	PYS 3428	Unit	Remark
Responsivity, min.	$R_{min}$	2.2	3.5	kV/W	$f = 1 \text{ Hz}$
Responsivity, typ.	$R$	3.5	5.0	kV/W	$f = 1 \text{ Hz}$
Match, max.	$M_{max}$	-	-	%	
Noise, max.	$N_{max}$	50	50	$\mu\text{V}_{pp}$	
Noise, typ.	$N_{typ}$	15	20	$\mu\text{V}_{pp}$	0.4...10 Hz / 20°C
Spec. detectivity	$D^*$			$10^7 \text{ cm}^* \sqrt{\text{Hz/W}}$	0.4...10 Hz / 20°C
Field of view, horizontal	FoV	77	77		
Field of view, vertical	FoV				
Source voltage			0.2 ... 1.5	V	47 k $\Omega$ / 20°C / 5 V
EMI performance			***		
Height	h	4.2	4.2	mm	
Optical element location	he / ho	/0.55	/0.55	mm	
Filter size	X / Y	2.65 / 2.4	2.65 / 2.4	mm	