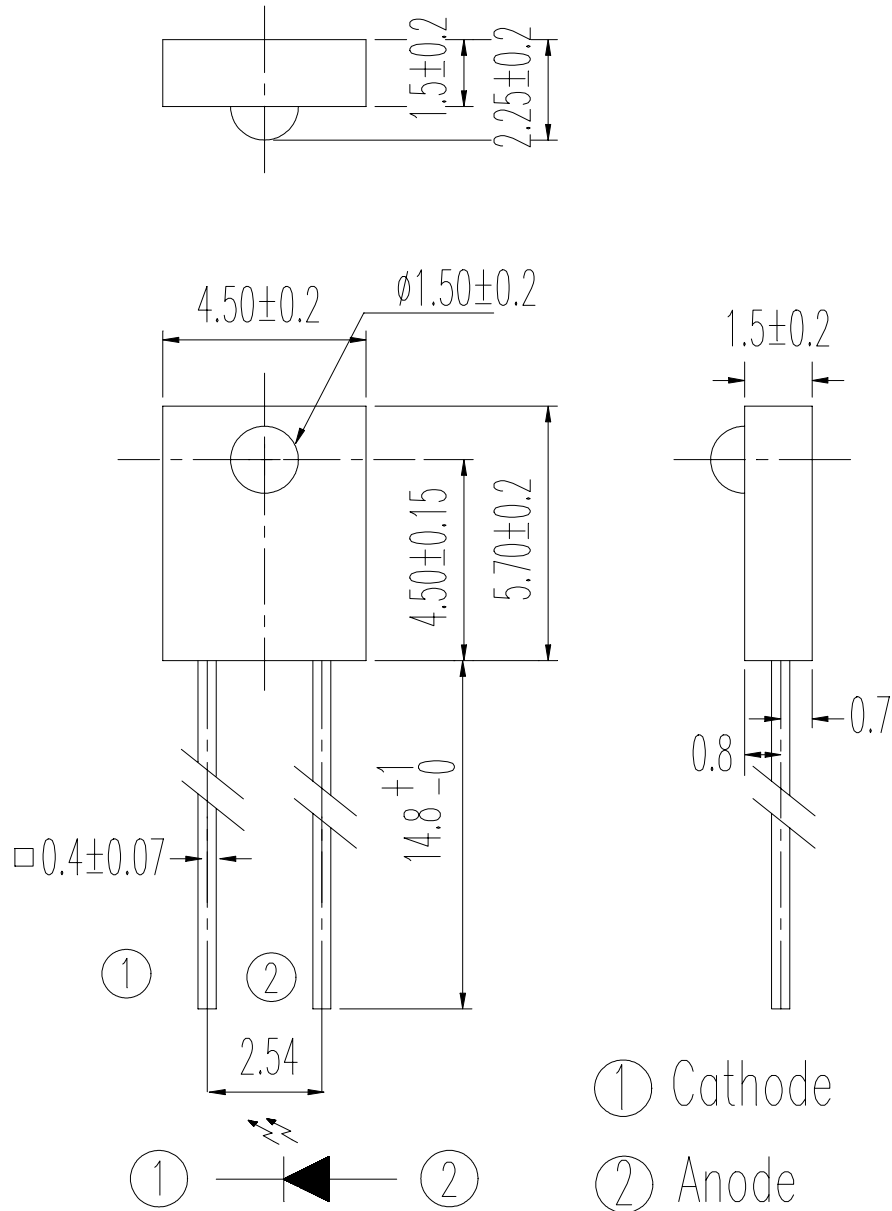




**Package Dimensions:**



Office: NO 25, Lane.76, Chung Yang Rd., Sec.3, Tucheng, Taipei 236, Taiwan, R.O.C.

TEL: 886-2-2267-2000, 2267-9936 (22 Lines)

FAX: 886-2-2267-6189

http: [//www.everlight.com](http://www.everlight.com)



Device Number: DIR-090-106 REV: 1.2  
MODEL NO: IR908-7C ECN: \_\_\_\_\_ Page: 2/8

◎Notes :

- 1.All dimensions are in millimeter.
- 2.General tolerance :  $\pm 0.1\text{mm}$
- 3.Lead spacing is measured where the lead emerge from the package.
- 4.Above specification may be changed without notice. EVERLIGHT will reserve authority on material change for above specification.
- 5.These specification sheets include materials protected under copyright of EVERLIGHT corporation. Please don't reproduce or cause anyone to reproduce them without EVERLIGHT's consent.
- 6.When using this product , please observe the absolute maximum ratings and the instructions for use outlined in these specification sheets. EVERLIGHT assumes no responsibility for any damage resulting from use of the product which does not comply with the absolute maximum ratings and the instructions included in these specification sheets.

**Description**

The **IR908-7C** is a GaAs(GaAlAs) infrared emitting diode. The miniature side-facing device has a chip that emits radiation from the side of the water clear package.

**Features**

- Low forward voltage
- Peak wavelength  $\lambda_p=940\text{nm}$
- High reliability

**Applications**

- Mouse
- Optoelectronic switch
- Photo interrupter



Device Number: DIR-090-106 REV: 1.2  
 MODEL NO: IR908-7C ECN: \_\_\_\_\_ Page: 3/8

**Absolute Maximum Ratings**

(Ta=25°C)

Item	Symbol	Rating	Unit
Power Dissipation	$P_D$	75	mW
Reverse Voltage	$V_R$	5	V
Forward Current	$I_F$	50	mA
Peak Forward Current(*1)	$I_{FP}$	1	A
Operating Temperature	$T_{opr}$	-25~+85	°C
Storage Temperature	$T_{stg}$	-40~+85	°C
Soldering Temperature (1/16 inch from body for 5 seconds)	$T_{sol}$	260	°C

(\*1)  $t_w=100 \mu\text{SEC.}$ ,  $T=10 \text{ m SEC.}$

**Electro-Optical Characteristics**

(Ta=25°C)

Parameter	Symbol	Min	Typ	Max	Unit	Condition
Collector Current	$I_{C(ON)}$	140	---	980	$\mu\text{A}$	$I_F=4\text{mA}, V_{CE}=3.5\text{V}$
		200	---	1030	$\mu\text{A}$	
Peak Wavelength	$\lambda_p$	---	940	---	nm	$I_F=20\text{mA}$
Spectral Bandwidth	$\Delta\lambda$	---	50	---	nm	$I_F=20\text{mA}$
View Angle	$2\theta_{1/2}$	---	60	---	Deg	$I_F=20\text{mA}$
Forward Voltage	$V_F$	---	1.2	1.6	V	$I_F=20\text{mA}$
Reverse Current	$I_R$	---	---	10	$\mu\text{A}$	$V_R=5\text{V}$



### Typical Characteristics

Fig. 1 Forward Current vs. Ambient Temperature

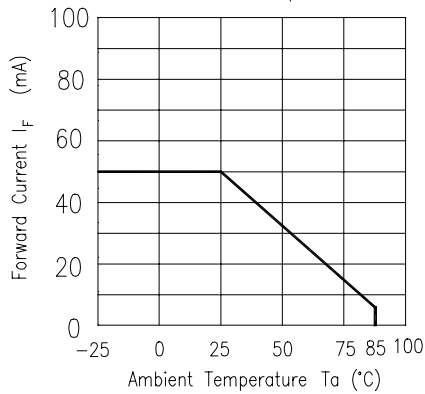


Fig. 2 Spectral Distribution

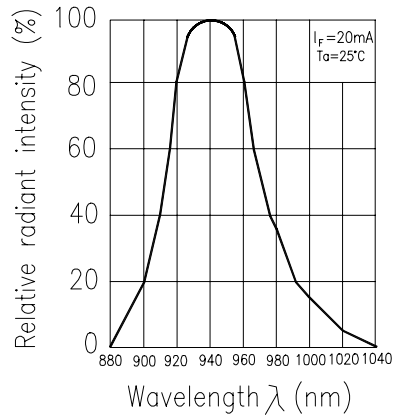


Fig. 3 Peak Emission Wavelength vs. Ambient Temperature

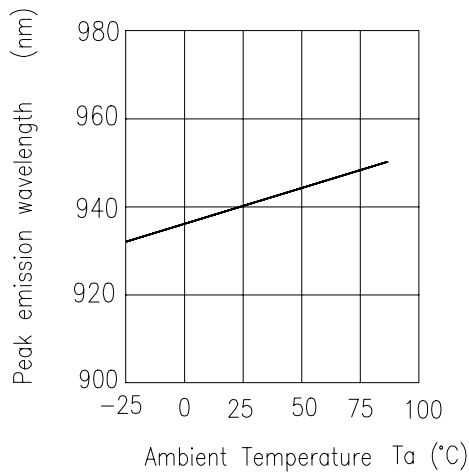


Fig. 4 Forward Current vs. Forward Voltage

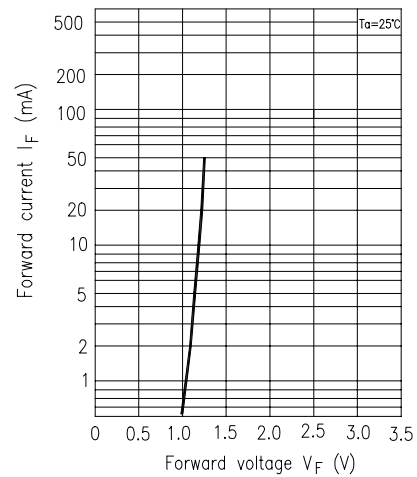


Fig. 5 Forward Voltage vs. Ambient Temperature

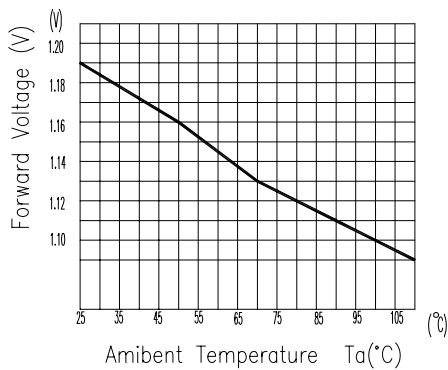
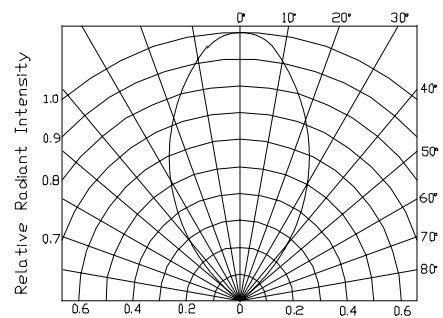
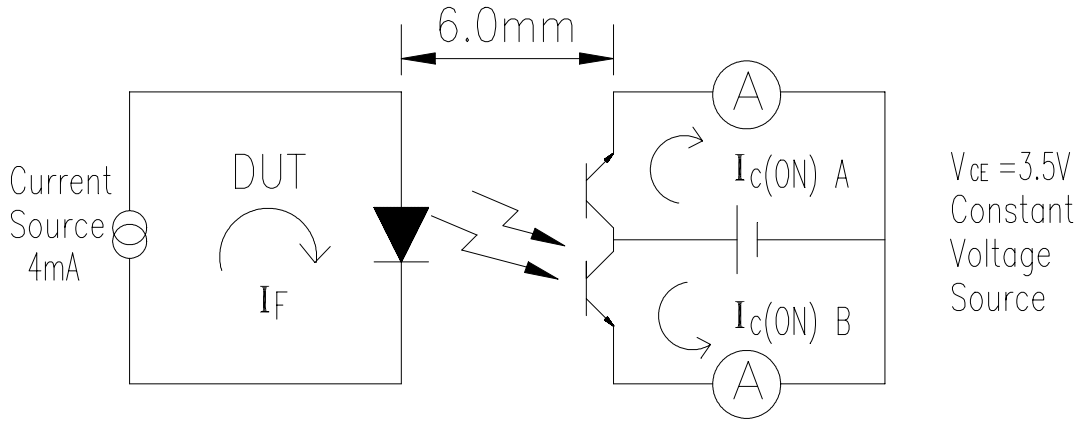


Fig. 6 Relative Radiant Intensity vs. Angular Displacement



**Test Method**

The intensity testing method of Infrared emitting diode:



Standard PTR

$$I_C(ON) = \frac{I_C(ON) A + I_C(ON) B}{2}$$

$$\text{Ratio} = \frac{I_C(ON) A}{I_C(ON) B} \cong 1.0$$

**E Ranks**

Color Code	Parameter	Symbol	Min	Max	Unit	Test Condition
Red	E1	$I_C(ON)$	140	260	$\mu A$	$I_F=4mA, V_{CE}=3.5V$
Blue	E2	$I_C(ON)$	210	350	$\mu A$	$I_F=4mA, V_{CE}=3.5V$
Yellow	E3	$I_C(ON)$	280	440	$\mu A$	$I_F=4mA, V_{CE}=3.5V$
Silver	E4	$I_C(ON)$	350	530	$\mu A$	$I_F=4mA, V_{CE}=3.5V$
Green	E5	$I_C(ON)$	420	620	$\mu A$	$I_F=4mA, V_{CE}=3.5V$
Purple	E6	$I_C(ON)$	490	710	$\mu A$	$I_F=4mA, V_{CE}=3.5V$
White	E7	$I_C(ON)$	560	800	$\mu A$	$I_F=4mA, V_{CE}=3.5V$
Brown	E8	$I_C(ON)$	630	890	$\mu A$	$I_F=4mA, V_{CE}=3.5V$
Orange	E9	$I_C(ON)$	700	980	$\mu A$	$I_F=4mA, V_{CE}=3.5V$
Collector Current Ratio of 2 Photo Transistors		R	0.8	---	1.2	$I_C(ON)A / I_C(ON)B$

\*  $I_C(ON) = [I_C(ON)A + I_C(ON)B] / 2$



**M Ranks**

Color Code	Parameter	Symbol	Min	Max	Unit	Test Condition
Red	M1	I <sub>C</sub> (ON)	200	390	μ A	I <sub>F</sub> =4mA, V <sub>CE</sub> =3.5V
Blue	M2	I <sub>C</sub> (ON)	270	470	μ A	I <sub>F</sub> =4mA, V <sub>CE</sub> =3.5V
Yellow	M3	I <sub>C</sub> (ON)	340	550	μ A	I <sub>F</sub> =4mA, V <sub>CE</sub> =3.5V
Silver	M4	I <sub>C</sub> (ON)	410	630	μ A	I <sub>F</sub> =4mA, V <sub>CE</sub> =3.5V
Green	M5	I <sub>C</sub> (ON)	480	710	μ A	I <sub>F</sub> =4mA, V <sub>CE</sub> =3.5V
Purple	M6	I <sub>C</sub> (ON)	550	790	μ A	I <sub>F</sub> =4mA, V <sub>CE</sub> =3.5V
White	M7	I <sub>C</sub> (ON)	620	870	μ A	I <sub>F</sub> =4mA, V <sub>CE</sub> =3.5V
Brown	M8	I <sub>C</sub> (ON)	690	950	μ A	I <sub>F</sub> =4mA, V <sub>CE</sub> =3.5V
Orange	M9	I <sub>C</sub> (ON)	760	1030	μ A	I <sub>F</sub> =4mA, V <sub>CE</sub> =3.5V
Collector Current Ratio of 2 Photo Transistors		R	0.8	---	1.2	I <sub>C</sub> (ON)A / I <sub>C</sub> (ON)B

\* I<sub>C</sub>(ON)=[ I<sub>C</sub>(ON)A+ I<sub>C</sub>(ON)B]/2

\*For the intensity test method, the output intensity is measured indirectly by measuring the emitter current of a “standard phototransistor”. The parts are 6mm apart (lead center to lead center), the test condition is I<sub>F</sub>=4mA, V<sub>CE</sub>=3.5V. The calibration standard for PTR sensitivity is 532 μ A when irradiated with a 0.555mW/cm<sup>2</sup> light source. When exposed to the uniform light, Collector Current Ratio of 2 Photo transistors must be 1.0 almost. Maximum and minimum values must include all variations due to mechanical electrical sorting and measurement error.

**Supplement**

1.Parts (1) Chip

Type	Material	Peak Wavelength
IR	GaAs or GaAlAs	940nm

(2) Material

Type	Lead frame	Wire	Package
Material	SPCC	Gold	Epoxy



**Reliability**

The reliability of products shall be satisfied with items listed below.

Confidence level : 90%

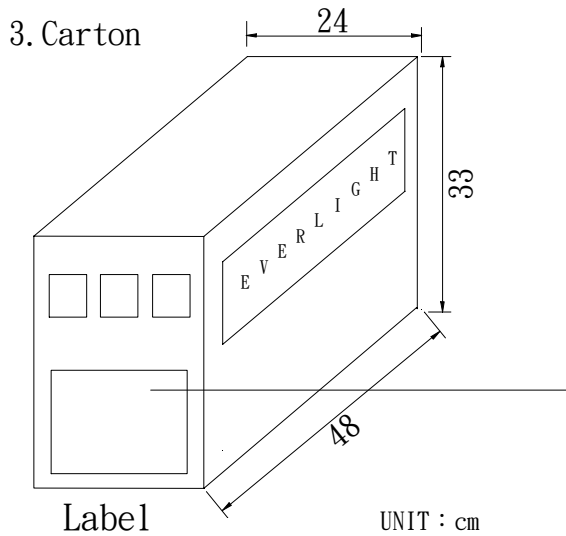
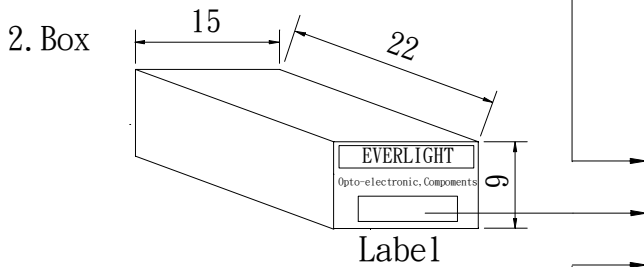
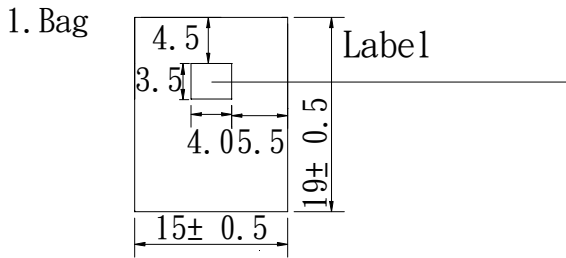
LTPD : 10%

Test Items	Test Conditions	Failure Judgement Criteria	Samples(n)
			Defect (c)
Operating life test	$V_{CE}=5V, I_F=20mA$ $T_a : 25^{\circ}C$ 1000hrs	$I_{c(on)} \leq L \times 0.8$ $V_F \geq U \times 1.2$ $I_R \geq U \times 2$  L : Lower specification limit U : Upper specification limit	n =22 , c=0
Temperature cycle	1cycle $-55^{\circ}C$ to $+25^{\circ}C$ to $+85^{\circ}C$ (30min) (5min) (30min) 50 cycle test		n =22 , c=0
Thermal shock	$-55^{\circ}C$ to $+85^{\circ}C$ (5min) (10 sec) (5min) 50cycle test		n =22 , c=0
High temperature storage	Temp : $+100^{\circ}C$ 1000hrs		n =22 , c=0
Low temperature storage	Temp : $-55^{\circ}C$ 1000hrs		n =22 , c=0
High temperature High humidity	$T_a : 85^{\circ}C$ RH : 85% 1000hrs		n =22 , c=0
Solder heat	Temp : $260 \pm 5^{\circ}C$ 10 sec		n =22 , c=0
Solderability	Temp : $230 \pm 5^{\circ}C$ 3 sec 4mm from the bottom of the package.	More than 90% of lead to be covered by soldering	n =22 , c=0



Device Number: DIR-090-106 REV: 1.2  
MODEL NO: IR908-7C ECN: \_\_\_\_\_ Page: 8/8

**Packing Specifications**



UNIT : cm



CPN:

P/N: 3409081003



IR908-7C

QTY: 1000



CAT:

HUE:

REF:

LOT NO:

MADE IN TAIWAN

**CPN: Customer's product number**

**P/N: Product number**

**QTY: Packing quantity**

**CAT: Ranks**

**HUE: Peak wavelength**

**REF: Reference**

**LOT NO: Lot number**

**MADE IN TAIWAN: Production place**

**Packing Quantity Specification**

1.1000Pcs/1bag , 6bags/1box

2.10boxes/1Carton



**SUNSTAR实业集团**是集研发、生产、工程、销售、代理经销、技术咨询、信息服务等为一体的高科技企业，是专业高科技电子产品生产厂家，是具有10多年历史的专业电子元器件供应商，是中国最早和最大的仓储式连锁规模经营大型综合电子零部件代理分销商之一，是一家专业代理和分销世界各大品牌IC芯片和电子元器件的连锁经营综合性国际公司。在香港、北京、深圳、上海、西安、成都等全国主要电子市场设有直属分公司和产品展示展销窗口门市部专卖店及代理分销商，已在全国范围内建成强大统一的供货和代理分销网络。我们专业代理经销、开发生产电子元器件、集成电路、传感器、微波光电元器件、工控机/DOC/DOM电子盘、专用电路、单片机开发、MCU/DSP/ARM/FPGA软件硬件、二极管、三极管、模块等，是您可靠的一站式现货配套供应商、方案提供商、部件功能模块开发配套商。专业以现代信息产业（计算机、通讯及传感器）三大支柱之一的传感器为主营业务，专业经营各类传感器的代理、销售生产、网络信息、科技图书资料及配套产品设计、工程开发。我们的专业网站——**中国传感器科技信息网（全球传感器数据库）www.SENSOR-IC.COM** 服务于全球高科技生产商及贸易商，为企业科技产品开发提供技术交流平台。欢迎各厂商互通有无、交换信息、交换链接、发布寻求代理信息。欢迎国外高科技传感器、变送器、执行器、自动控制产品厂商介绍产品到**中国**，共同开拓市场。本网站是关于各种传感器-变送器-仪器仪表及工业自动化大型专业网站，深入到工业控制、系统工程计 测计量、自动化、安防报警、消费电子等众多领域，把最新的传感器-变送器-仪器仪表买卖信息，最新技术供求，最新采购商，行业动态，发展方向，最新的技术应用和市场资讯及时的传递给广大科技开发、科学研究、产品设计人员。本网站已成功为石油、化工、电力、医药、生物、航空、航天、国防、能源、冶金、电子、工业、农业、交通、汽车、矿山、煤炭、纺织、信息、通信、IT、安防、环保、印刷、科研、气象、仪器仪表等领域从事科学研究、产品设计、开发、生产制造的科技人员、管理人员、和采购人员提供满意服务。 **我公司专业生产、代理、经销、销售各种传感器、变送器、敏感元器件、开关、执行器、仪器仪表、自动化控制系统：专门从事设计、生产、销售各种传感器、变送器、各种测控仪表、热工仪表、现场控制器、计算机控制系统、数据采集系统、各类环境监控系统、专用控制系统应用软件以及嵌入式系统开发及应用等工作。如热敏电阻、压敏电阻、温度传感器、温度变送器、湿度传感器、湿度变送器、气体传感器、气体变送器、压力传感器、压力变送、称重传感器、物（液）位传感器、物（液）位变送器、流量传感器、流量变送器、电流（压）传感器、溶氧传感器、霍尔传感器、图像传感器、超声波传感器、位移传感器、速度传感器、加速度传感器、扭距传感器、红外传感器、紫外传感器、火焰传感器、激光传感器、振动传感器、轴角传感器、光电传感器、接近传感器、干簧管传感器、继电器传感器、微型电泵、磁敏（阻）传感器、压力开关、接近开关、光电开关、色标传感器、光纤传感器、齿轮测速传感器、时间继电器、计数器、计米器、温控仪、固态继电器、调压模块、电磁铁、电压表、电流表等特殊传感器。同时承接传感器应用电路、产品设计和自动化工程项目。**

欢迎索取免费详细资料、设计指南和光盘；产品凡多，未能尽录，欢迎来电查询。

更多产品请看本公司产品专用销售网站：

中国传感器科技信息网：<http://www.sensor-ic.com/>工控安防网：<http://www.pc-ps.net/>

电子元器件网：<http://www.sunstare.com/>微波光电产品网：[HTTP://www.rfoe.net/](http://www.rfoe.net/)

消费电子产品网：<http://www.icasic.com/>军工产品网：<http://www.junpinic.com/>

实业科技产品网：<http://www.sunstars.cn/>传感器销售热线：

电话：0755-83607652 83376489 83376549 83370250 83370251

传真：0755-83376182 (0) 13902971329 MSN: SUNS8888@hotmail.com

邮编：518033 E-mail: [szss20@163.com](mailto:szss20@163.com) QQ: 195847376

技术支持：0755-83394033 13501568376