

NPI-15 Voltage Compensated Series High Pressure, Media Isolated Pressure Sensor

DESCRIPTION

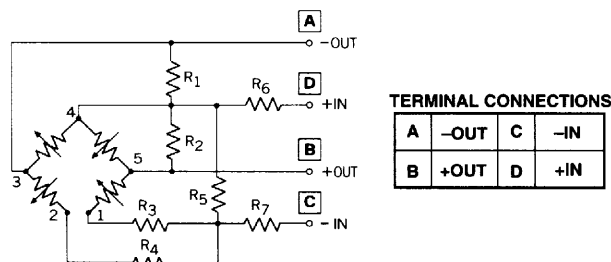
The NovaSensor[®] voltage compensated NPI Series offers the performance of our current compensated sensors with the convenience of using a voltage supply. Voltage compensation allows the sensor to be connected directly to the power supply, thereby eliminating the need for additional components to construct a constant current source. These sensors enable field interchangeability with a calibrated FSO of $100 \text{ mV} \pm 1 \%$.

As with all NPI media isolated sensors, they are designed to operate in hostile environments and yet give the outstanding sensitivity, linearity, and hysteresis of a silicon sensor. The piezoresistive sensor chip is housed in a fluid-filled cylindrical cavity and isolated from measured media by a stainless steel diaphragm and body. The NPI Series employs SenStable[®] processing technology, providing excellent output stability.

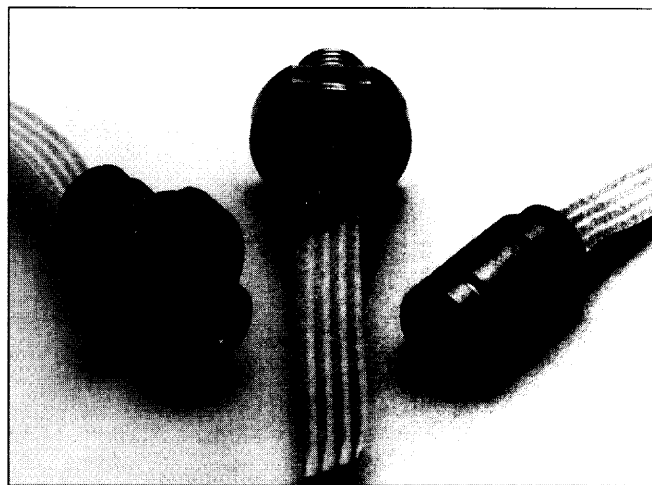
The modular design allows for a variety of pressure port modules which are hermetically welded to the sensor header module. Standard types A, B, H, and J are shown inside.

For compensation of temperature effects, a resistor network is supplied on a hybrid ceramic substrate. The IsoSensor design minimizes temperature errors to provide a maximum offset error of 1.0% FSO and a maximum full-scale output error of 0.75% FSO over the 0 to 70°C compensated range.

SCHEMATIC DIAGRAM



Note: Pin #4 connected to chip substrate.



FEATURES

- Solid state, high reliability
- High sensitivity with $100 \text{ mV} \pm 1\%$ FSO at 10 VDC
- 316L stainless steel, IsoSensor design
- Linearity 0.1% FSO typical
- Thermal accuracy FSO 0.2% typical
- Four standard ranges: 500, 1000, 3000 and 5000 psi available in absolute or sealed gage
- Standard configurations include:
 - 1/2"-20 UNF threaded male port with 1.0" flange
 - 0.59" diameter x 0.87" long cylinder with o-ring seals
 - 1/4"-18 NPT male port with 7/8" flange
 - 1/8"-27 NPT male port with 7/8" flange
- Custom configurations and other pressure ranges available. Please consult factory

APPLICATIONS

- Process control systems
- Hydraulic systems and valves
- Automobiles and trucks
- Biomedical instruments
- Refrigeration and HVAC controls
- Appliances and consumer electronics
- Ship and marine systems
- Aircraft and avionic systems

Operating Characteristics

SUNSTAR自动化 http://www.sensor-ic.com/ TEL: 0755-83376549 FAX: 0755-83376182 E-MAIL: szss20@163.com

PARAMETER	VALUE	UNITS	NOTES
GENERAL			
Pressure Range	0-500	psi	3,447 kPa
	0-1,000	psi	6,894 kPa
	0-3,000	psi	20,682 kPa
	0-5,000	psi	34,470 kPa
Maximum Pressure	2 x		rated pressure
ELECTRICAL @ 25°C (77°F) unless otherwise stated			
Input Excitation	10	VDC	15 VDC max.
Insulation Resistance	10 ⁸	Ω	@ 50 V _{DC}
Input Impedance (min.)	4,000	Ω	
Output Impedance	5,000	Ω	± 20%
Bridge Impedance	5,000	Ω	± 20%
ENVIRONMENTAL			
Temperature Range			
Operating ⁽⁹⁾	-40 to +125	°C	-40° to +257°F
Compensation Range	0 to +70	°C	+32° to +158°F
Vibration	10	g _{RMS}	20 to 2000Hz
Shock	100	g	11 milliseconds
Life (Dynamic Pressure Cycle)	10 x 10 ⁶	cycles	
MECHANICAL			
Weight	≈ 28	grams	NPI-15A-XXX
	≈ 47	grams	NPI-15B/H/J-XXX
Media Compatibility	All corrosive media compatible with 316L stainless steel		
Case and Diaphragm Material	316L stainless steel		
Recommended O-Ring	Type A: 12mm (.472") ID x 1.5mm (.059") wall Type B: 2-013 per ISO 3601/1		

PARAMETER	UNITS	COMPENSATED ⁽¹⁾			NOTES
		500, 1,000, 3,000 & 5,000 psi			
		MIN.	TYP.	MAX.	
Offset	mV	-2	± 1	2	
Full Scale Output	mV	99	100	101	2
Linearity	%FSO	-0.35	0.1	0.35	3
Hysteresis and Repeatability	%FSO	-0.05	0.01	0.05	
Thermal Accuracy of Offset	%FSO	-1.0	0.2	1.0	4
Thermal Accuracy of FSO	%FSO	-0.75	-0.2	0.75	4
Thermal Hysteresis	%FSO	-0.2	±0.1	0.2	5
Short-Term Stability of Offset	μV/V		±5		6
Short-Term Stability of FSO	μV/V		±5		6
Long-Term Stability of Offset	%FSO		±0.1		7
Long-Term Stability of FSO	%FSO		±0.1		7

- Notes:**
1. Performance with offset, thermal accuracy of offset and thermal accuracy of FSO compensation resistors.
 2. FSO measured with 10 VDC.
 3. Linearity by best fit straight line.
 4. 0 to +70°C with reference to 25°C.
 5. 0° to 70°C.
 6. Normalized offset/bridge voltage — 100 hours.
 7. 1 year.
 8. All values measured at 25°C and at 10 VDC, unless otherwise noted.
 9. Reduced performance outside compensation range.

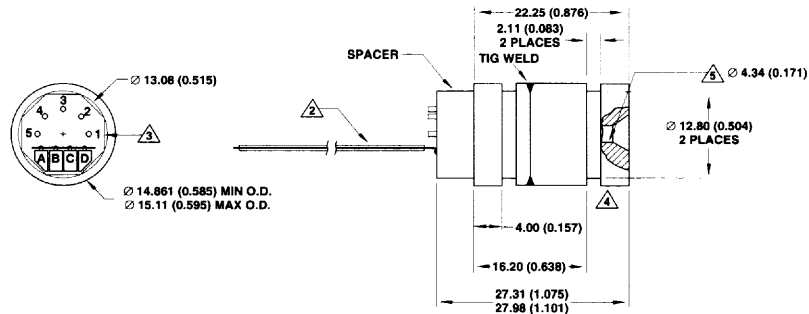
Packaging and Ordering Information

SUNSTAR/传感器控制: <http://www.sensor-ic.com/> TEL: 0755-83376182 FAX: 0755-83376183 E-MAIL: szss20@163.com

PORT TYPE A

PIN OUT

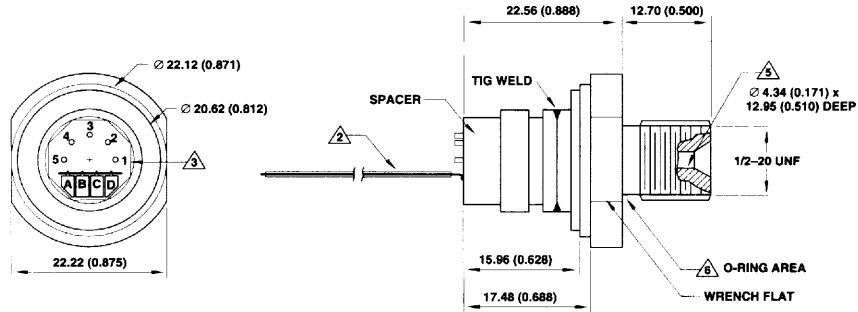
A	-OUT
B	+OUT
C	-IN
D	+IN



PORT TYPE B (Note 7)

PIN OUT

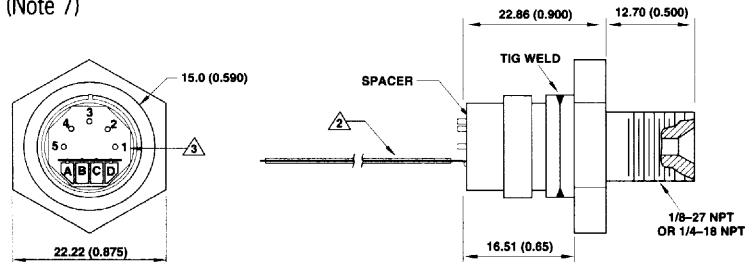
A	-OUT
B	+OUT
C	-IN
D	+IN



PORT TYPE H AND J (Note 7)

PIN OUT

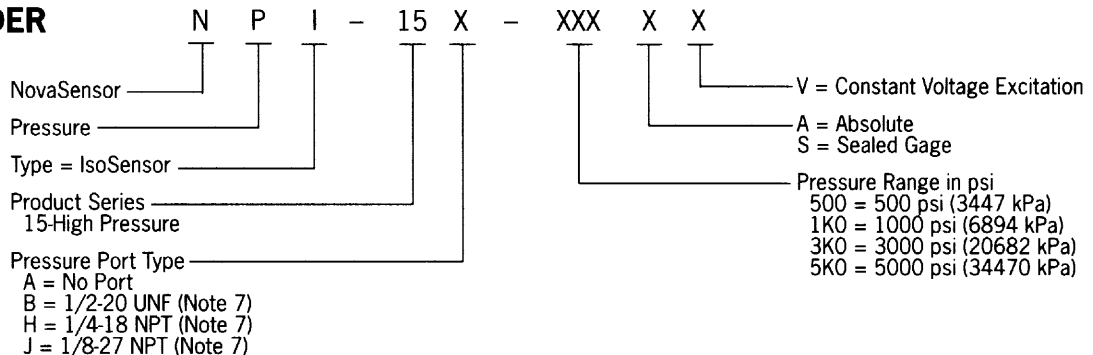
A	-OUT
B	+OUT
C	-IN
D	+IN



Notes:

1. All dimensions in inches (millimeters).
2. A flat, 2" long Nylon flex cable is standard.
3. Ceramic substrate.
4. Uses 12mm ID x 1.5mm o-ring for outside seal.
5. Uses 2 - 003 per I.S.O. 360 1/1 o-ring for inside seal.
6. Uses 2 - 013 per I.S.O. 360 1/1 o-ring for outside seal.
7. Not available in 3,000 PSI and 5,000 PSI

HOW TO ORDER



Sales Terms:

NovaSensor standard sales terms apply. Prices and specifications are subject to change without notice.

Warranty:

NovaSensor warrants its products against defects in material and workmanship for 12 months from date of shipment. Products not subjected to misuse will be repaired or replaced. THE FOREGOING IS IN LIEU OF ANY OTHER EXPRESSED OR IMPLIED WARRANTIES. NovaSensor reserves the right to make changes to any product herein and assumes no liability arising out of the application or use of any product or circuit described or referenced herein.



NOVASENSOR

SUNSTAR自动化 <http://www.sensor-ic.com/> TEL: 0755-83376182 FAX: 0755-83376183 E-MAIL: szss20@163.com
 1055 Mission Court • Fremont • California 94539 • Toll Free: 800-962-7364 Tel: 510-661-6000 Fax: 510-770-0645

SUNSTAR 商斯达实业集团是集研发、生产、工程、销售、代理经销、技术咨询、信息服务等为一体的高科技企业，是专业高科技电子产品生产厂家，是具有 10 多年历史的专业电子元器件供应商，是中国最早和最大的仓储式连锁规模经营大型综合电子零部件代理分销商之一，是一家专业代理和分销世界各大品牌 IC 芯片和电子元器件的连锁经营综合性国际公司，专业经营进口、国产名厂名牌电子元件，型号、种类齐全。在香港、北京、深圳、上海、西安、成都等全国主要电子市场设有直属分公司和产品展示展销窗口门市部专卖店及代理分销商，已在全国范围内建成强大统一的供货和代理分销网络。我们专业代理经销、开发生产电子元器件、集成电路、传感器、微波光电元器件、工控机/DOC/DOM 电子盘、专用电路、单片机开发、MCU/DSP/ARM/FPGA 软件硬件、二极管、三极管、模块等，是您可靠的一站式现货配套供应商、方案提供商、部件功能模块开发配套商。商斯达实业公司拥有庞大的资料库，有数位毕业于著名高校——有中国电子工业摇篮之称的西安电子科技大学（西军电）并长期从事国防尖端科技研究的高级工程师为您精挑细选、量身订做各种高科技电子元器件，并解决各种技术问题。

更多产品请看本公司产品专用销售网站：

商斯达中国传感器科技信息网：<http://www.sensor-ic.com/>

商斯达工控安防网：<http://www.pc-ps.net/>

商斯达电子元器件网：<http://www.sunstare.com/>

商斯达微波光电产品网：[HTTP://www.rfoe.net/](http://www.rfoe.net/)

商斯达消费电子产品网：<http://www.icasic.com/>

商斯达实业科技产品网：<http://www.sunstars.cn/>

传感器销售热线：

地址：深圳市福田区福华路福庆街鸿图大厦 1602 室

电话：0755-83370250 83376489 83376549 83607652 83370251 82500323

传真：0755-83376182 (0) 13902971329 MSN: SUNS8888@hotmail.com

邮编：518033 E-mail:szss20@163.com QQ: 195847376

深圳赛格展销部：深圳华强北路赛格电子市场 2583 号 电话：0755-83665529 25059422

技术支持：0755-83394033 13501568376

欢迎索取免费详细资料、设计指南和光盘；产品凡多，未能尽录，欢迎来电查询。

北京分公司：北京海淀区知春路 132 号中发电子大厦 3097 号

TEL: 010-81159046 82615020 13501189838 FAX: 010-62543996

上海分公司：上海市北京东路 668 号上海赛格电子市场 2B35 号

TEL: 021-28311762 56703037 13701955389 FAX: 021-56703037

西安分公司：西安高新开发区 20 所(中国电子科技集团导航技术研究所)

西安劳动南路 88 号电子商城二楼 D23 号

TEL: 029-81022619 13072977981 FAX:029-88789382