

AVAILABLE
with Signature
Calibration
SEE PG. IN-5

Precision, Fatigue Rated Pancake Load Cells

Model 73 and 75

LONG FATIGUE LIFE

50 TO 200,000 lbs.

HIGH OVERLOAD



CENELEC
APPROVED



APPROVED
INTRINSICALLY
SAFE AMP



Model 73
(Compression Only)



Model 75
(Tension/Compression)

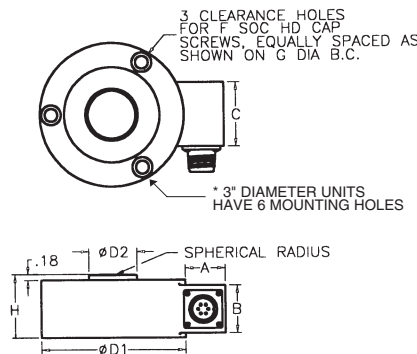
Models 73 and 75, Fatigue Rated Load Cells are engineered for applications such as materials or product fatigue testing, which involve an extremely large number of cycles or occasional overload conditions. These fatigue rated load cells have load ranges from 50 to 200,000 lbs and achieve a non-linearity of 0.1% full scale. The superior design of these bonded foil, strain gage compression and/or tension load cells permits a fatigue life of 1 billion cycles (zero to full scale). Model 75 measures tension/compression while Model 73 measures compression only. Both models must be used on a smooth flat surface to achieve rated specifications. The load button on Model 73 is an integral part of the load cell and cannot be removed or changed. The tension/compression Model 75 is designed with the threaded hole running completely through the center of the cell. Models 75 and 73 utilize two stabilizing diaphragms, which are welded to the sensing member to reduce off-center and side-loading effects. Applications include spring testing, shock absorber testing and electrohydraulic shaker systems.

Dimensions

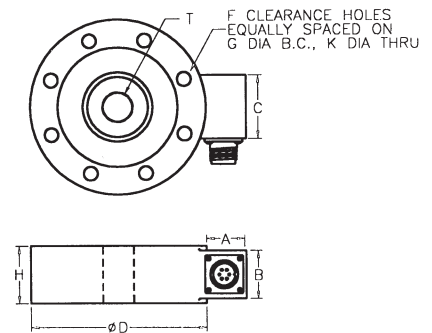
Model 73 (Order code BL113)

Available Ranges	D1"	D2"	H"	F" Typ.	G" Dia. B.C.	A"	B"	C"
50; 100; 250; 500 lbs.	3.00	.56	1.18	1/4	2.250	.82	.75	1.25
1000; 2000; 3000 lbs.	3.50	.69	1.18	5/16	2.625	.82	.75	1.25
4000; 5000; 7500; 10,000 lbs.	4.50	1.50	2.00	3/8	3.790	1.25	1.50	2.00
15,000; 20,000; 30,000; 50,000 lbs.	4.50	1.50	2.00	3/8	3.790	1.25	1.50	2.00
75,000; 100,000 lbs.	5.50	2.00	2.18	3/8	4.812	1.25	1.50	2.00
150,000; 200,000 lbs.	7.50	2.50	2.68	3/8	6.750	1.25	1.50	2.00

Model 73 (Compression Only)



Model 75 (Tension/Compression)



Model 75 (Order code BL114)

Available Ranges	D" Dia.	H"	F"	G" Dia. B.C.	K" Dia. Thru	T	A"	B"	C"
50; 100; 250; 500 lbs.	3.00	1.00	6	2.250	.28	3/8-24UNF	.82	.75	1.25
1000; 2000 lbs.	3.50	1.00	6	2.625	.34	1/2-20UNF	.82	.75	1.25
3000; 4000; 5000; 7500 lbs.	5.50	1.80	8	4.500	.40	1-14UNF	1.25	1.50	2.00
10,000; 15,000; 20,000 lbs.	6.00	1.80	8	4.875	.53	1-1/2-12UN	1.25	1.50	2.00
30,000; 50,000 lbs.	7.50	2.00	8	6.000	.78	2-12UN	1.25	1.50	2.00
75,000; 100,000 lbs.	9.00	2.50	12	7.750	.66	2-1/2-12UN	1.25	1.50	2.00
150,000; 200,000 lbs.	14.00	4.25	12	11.750	1.03	3-1/2-8UN	1.25	1.50	*

NOTE: Bolt holes (K) are countersunk for ranges 7500 lbs and below
* "C" dimension varies on high ranges. Consult SENSOTEC.

1-800-848-6564

Honeywell
SENSOTEC

www.honeywell.com/sensing

Options (See Appendix)

Temperature compensated 1b, 1c, 1d, 1e, 1f; Int. shunt cal 8a (≥1000 lbs. only); Special calibration 30a, 30b (Model 75 only); Signature calibration 53e

Premium Options: 1i; 2c, 2q; 3a, 3c; 6e, 6f, 6g, 6h, 6i, 6j; Int. amps 2a (Model 73), 2b (Model 75), 2j; Intrinsically safe amp 2n.

Accessories: Mating connectors and connector/cable assemblies; Pull plates; Load buttons

		Model 73 (Compression only) Order Code BL113	Model 75 (Tension/Compression) Order code BL114
PERFORMANCE	Load Ranges.....	50 to 200,000 lbs.	50 to 200,000 lbs.
	Non-Linearity (max)	±0.1% F.S.	±0.1% F.S.
	Hysteresis (max)	±0.1% F.S.	±0.1% F.S.
	Non-repeatability(max).....	±0.03% F.S.	±0.03% F.S.
	Output (standard).....	2mV/V	2mV/V
	Resolution	Infinite	Infinite
Life cycle	1 billion	1 billion	
ENVIRONMENTAL	Temperature, Operating.....	-65° F to 250° F	-65° F to 250° F
	Temperature, Compensated.....	60° F to 160° F	60° F to 160° F
	Temperature Effect		
	- Zero (max)002% F.S./° F	.002% F.S./° F
	- Span (max)002% Rdg./° F	.002% Rdg./° F
ELECTRICAL	Strain Gage Type.....	Bonded Foil	Bonded foil
	Excitation (calibration).....	10VDC	10VDC
	Bridge Resistance	350 ohms	350 ohms
	Wiring Code (std)	#2 (See Pg. AP-8)	#2 (See Pg. AP-8)
	Electrical Termination (std)		
	50 to 2000 lbs	PTIH-10-6P or equiv. (Hermetic stainless)	PTIH-10-6P or equiv. (Hermetic stainless)
	3000 to 200,000 lbs	MS3102E-14S-6P or equiv.	MS3102E-14S-6P or equiv.
Mating Connector (not incl.)			
50 to 2000 lbs	PT06A-10-6S or equiv.	PT06A-10-6S or equiv.	
3000 to 200,000 lbs	MS3106A-14S-6S or equiv.	MS3106A-14S-6S or equiv.	
MECHANICAL	Static Overload Capacity	200% of capacity	200% of capacity
	Thread Size.....	N/A	See table
	Material		
	50 thru 100,000 lbs.	Stainless Steel	Stainless Steel
	125,00 thru 200,00 lbs	Stainless Steel	Carbon Steel
	Deflection—Full Scale		
10-1000lbs0022"	.0035"	
≥1000 lbs0022"	.0035"	
INTERNALLY AMPLIFIED UNITS* (Optional)	Outputs Available.....	±5VDC, 4-20mA	0-5VDC, 4-20mA

NOTES: *Standard calibration for tension/compression load cells is in tension only. Internal amplifiers are available for all ranges. Internal amplification for ranges <3000 lbs. ("H" dimension <1.80") may increase height.

ALLOWABLE EXTRANEIOUS FORCE WITHOUT DAMAGE (% of load capacity)

Ranges	Side Load (lbs)	Bending (lb-in)	Torque (lb-in)	Total Extraneous Force
50; 100; 250; 500 lbs.	75%	60%	35%	100%
1000; 2000 lbs;	45%	35%	35%	100%
3000; 4000; 5000; 7500 10,000; 15,000; 20,000 lbs.	30%	30%	25%	100%
30,000; 50,000; 75,000 100,000; 150,000; 200,000 lbs.	30%	30%	15%	100%

General Information

How to order (See Pg. AP-19)
Load cell selection flow chart (See Pg. LO-1)

SUNSTAR 商斯达实业集团是集研发、生产、工程、销售、代理经销、技术咨询、信息服务等为一体的高科技企业，是专业高科技电子产品生产厂家，是具有 10 多年历史的专业电子元器件供应商，是中国最早和最大的仓储式连锁规模经营大型综合电子零部件代理分销商之一，是一家专业代理和分销世界各大品牌 IC 芯片和电子元器件的连锁经营综合性国际公司，专业经营进口、国产名厂名牌电子元件，型号、种类齐全。在香港、北京、深圳、上海、西安、成都等全国主要电子市场设有直属分公司和产品展示展销窗口门市部专卖店及代理分销商，已在全国范围内建成强大统一的供货和代理分销网络。我们专业代理经销、开发生产电子元器件、集成电路、传感器、微波光电元器件、工控机/DOC/DOM 电子盘、专用电路、单片机开发、MCU/DSP/ARM/FPGA 软件硬件、二极管、三极管、模块等，是您可靠的一站式现货配套供应商、方案提供商、部件功能模块开发配套商。商斯达实业公司拥有庞大的资料库，有数位毕业于著名高校——有中国电子工业摇篮之称的西安电子科技大学（西军电）并长期从事国防尖端科技研究的高级工程师为您精挑细选、量身订做各种高科技电子元器件，并解决各种技术问题。

更多产品请看本公司产品专用销售网站：

商斯达中国传感器科技信息网：<http://www.sensor-ic.com/>

商斯达工控安防网：<http://www.pc-ps.net/>

商斯达电子元器件网：<http://www.sunstare.com/>

商斯达微波光电产品网：[HTTP://www.rfoe.net/](http://www.rfoe.net/)

商斯达消费电子产品网：<http://www.icasic.com/>

商斯达实业科技产品网：<http://www.sunstars.cn/>

传感器销售热线：

地址：深圳市福田区福华路福庆街鸿图大厦 1602 室

电话：0755-83370250 83376489 83376549 83607652 83370251 82500323

传真：0755-83376182 (0) 13902971329 MSN: SUNS8888@hotmail.com

邮编：518033 E-mail:szss20@163.com QQ: 195847376

深圳赛格展销部：深圳华强北路赛格电子市场 2583 号 电话：0755-83665529 25059422

技术支持：0755-83394033 13501568376

欢迎索取免费详细资料、设计指南和光盘；产品凡多，未能尽录，欢迎来电查询。

北京分公司：北京海淀区知春路 132 号中发电子大厦 3097 号

TEL: 010-81159046 82615020 13501189838 FAX: 010-62543996

上海分公司：上海市北京东路 668 号上海赛格电子市场 2B35 号

TEL: 021-28311762 56703037 13701955389 FAX: 021-56703037

西安分公司：西安高新开发区 20 所(中国电子科技集团导航技术研究所)

西安劳动南路 88 号电子商城二楼 D23 号

TEL: 029-81022619 13072977981 FAX:029-88789382