

Ultra Precision, Fatigue Rated Universal Load Cells

Models 45 and 47

LONG FATIGUE LIFE

STAINLESS STEEL

ACCURACY UP TO 0.02%

250 TO 100,000 lbs.



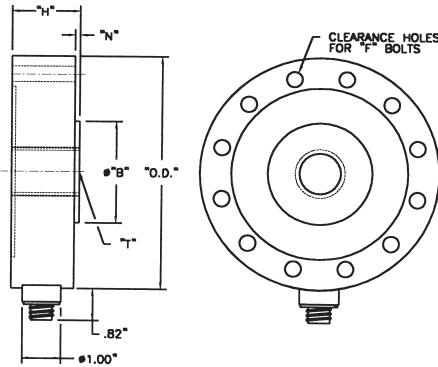
Model 45 and 47 Ultra Precision Fatigue Rated Load Cell offers a low profile design for both tension and compression applications. The all welded stainless steel construction and stabilizing diaphragms provide the same ruggedness which has made our Model 41 and 43 pancake type load cells so successful.

The Model 45 and 47 are available in ranges 250 lbs. thru 100,000 lbs. and mounting dimensions are universally interchangeable within the industry.

Options include hi-level outputs of 4-20 mA or 0-5 VDC as well as weatherproof or submersible cable configurations and CSA and cenelec intrinsically safe amplifiers.

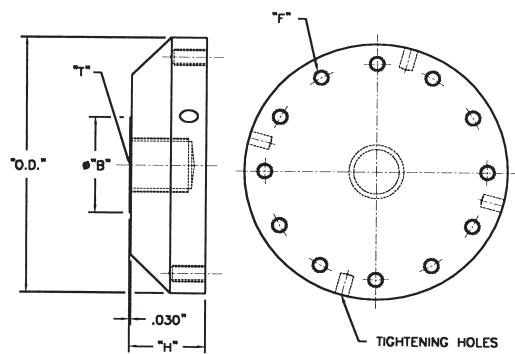
LOAD CELL

Model 45 (Order Code AL116)
Model 47 (Order Code AL117)



PULL PLATE

Model 45 Optional
Model 47 Installed



Dimensions

Model 45 Fatigue Rated (Order Code AL116)

Model 47 Ultra Precision Fatigue Rated (Order Code AL117)

Range	O.D."	H"	T	B"	N"	F
250; 500; 1,000;						
2,500; 5,000 lbs	4.12	1.37	5/8-18 UNF-3B	1.34	0.12	9/32 Dia., 8 Holes Eq. Sp., 3.50 B.C.
12,500-25,000 lbs	6.06	1.75	1-1/4-12 UNF-3B	2.65	0.12	13/32 Dia., 12 Holes Eq. Sp., 5.125 B.C.
50,000 lbs.	8.00	2.50	1-3/4-12 UNF-3B	3.76	0.25	17/32 Dia., 16 Holes Eq. Sp., 6.50 B.C.
100,000 lbs.	11.00	3.50	2-3/4-8 UNF-3B	4.81	0.50	11/16 Dia., 16 Holes Eq. Sp., 9.00 B.C.

Pull Plate for Model 45

Range	Order Code	O.D."	H"	T	B"	F
250; 500; 1,000;						
2,500; 5,000 lbs.	AA229	4.12	1.12	5/8-18 UNF-3B	1.25	1/4-28, 8 Holes Eq. Sp., 3.50 B.C.
12,500-25,000 lbs.	AA230	6.06	1.75	1-1/4-12 UNF-3B	2.25	3/8-24, 12 Holes Eq. Sp., 5.125 B.C.
50,000 lbs.	AA231	8.00	2.00	1-3/4-12 UNF-3B	3.00	1/2-20, 16 Holes Eq. Sp., 6.50 B.C.
100,000 lbs.	AA232	11.00	3.00	2-3/4-8 UNF-3B	4.50	5/8-18, 16 Holes Eq. Sp., 9.00 B.C.

Fatigue Rated (Fatigue Rated Ultra-Precision)

Model 45 (Model 47)**

PERFORMANCE	250*; 1,000 lb.	500; 1,000 lb.	2,500; 5,000 lb.	12,500; 25,000 lb.	50,000 lb.	100,000 lb.
Range.....						
Output, standard (mV/V)	2.0	2.0	2.0	2.0	2.0	2.0
Static error band, (+/-%F.S.) ¹	0.04 (0.02)	0.05 (0.03)	0.05 (0.03)	0.05 (0.04)	0.05 (0.04)	0.06 (0.05)
Nonlinearity, (+/-%F.S.) ²	0.05 (0.02)	0.05 (0.03)	0.05 (0.03)	0.05 (0.04)	0.05 (0.04)	0.05 (0.05)
Hysteresis, (+/-%F.S.) ²	0.02 (0.02)	0.03 (0.03)	0.03 (0.03)	0.03 (0.03)	0.03 (0.03)	0.04 (0.03)
Non-Repeatability, (+/-%F.S.) ²	0.02 (0.01)	0.02 (0.01)	0.02 (0.01)	0.02 (0.01)	0.02 (0.01)	0.02 (0.01)
Fatigue Life Cycle	10 ⁸ fully reversed					
ENVIRONMENTAL						
Temperature, Operating.....	-65°F to 200°F					
Temperature, Compensated	0°F to 150°F					
Temperature Effect						
– Zero (max) %F.S./°F	0.0008					
– Span (max) %Rdg./°F	0.0008					
ELECTRICAL						
Excitation, calibrated (VDC)	10					
Excitation, maximum (VDC).....	20					
Bridge Resistance, nominal Ω	350					
Insulation Resistance mΩ	5000 @ 50 VDC					
Wiring Code, standard	#39, see appendix					
Electrical Termination.....	PC02A-10-6P					
Mating Harness	AA163					
MECHANICAL						
Deflection @ full scale load (IN)	0.0015	0.001	0.002	0.002	0.002	0.0025
Static Overload Capacity, (+/-%F.S.)*** ..	300	300	300	300	300	300
Ringing Frequency (kHz)	2.4, 2.4, 3.4	6.8, 9.1	5.7, 7.0	6.3	4.5	4.5
Weight, Element (lb)	3.1	3.2	8.8	22	55	55
Base (optional on model 45).....	AA229	AA229	AA230	AA231	AA232	AA232
Weight, base (lb).....	3.5	3.5	11	20	61	61
Load Button (optional).....	AA290	AA290	AA291	AA292	AA293	AA293

* 250 lb range has 700 Ohm bridge resistance

** Data for model 47 shown in parenthesis, otherwise same for both models

***Off-axis loading maximum allowable 50% of F.S.

¹ Static error band is the guaranteed performance specification. The static error band is calculated as the best fit straight line through zero, including the effects of non-linearity, hysteresis and non-repeatability.

² Values noted are typical values but fall within the static error band.

General Information (See Appendix)

How to order (See Pg. AP-19)

Load cell selection flow chart (See Pg. LO-1)

Model 45 (Fatigue Rated) is standard without a pull plate. On Ultra Precision Model 47, the load cell and pull plate are calibrated as a unit. Internal amplifiers are available for all ranges. Internal amplification for ranges <12,500 lbs. ("H" dimension <1.80") may increase height. Using an in-line amplifier for ranges <12,500 lbs. will avoid this height increase.

Options: A.S.T.M. E74 calibration; Overload stops, compression only, engage at approximately 125% of cell capacity—requires pull plate. Internal amplifiers; 2a; 2b; 2c; 2j; 2q. Note: Some specs may vary with amplifier options, consult Sensotec for details.

Premium Options: Signature calibration 53e (Model 45 only) Intrinsically safe amp CENELEC Approved 2n.

Accessories: Mating connectors and connector/cable assemblies; Load Buttons (See Appendix).

SUNSTAR 商斯达实业集团是集研发、生产、工程、销售、代理经销、技术咨询、信息服务等为一体的高科技企业，是专业高科技电子产品生产厂家，是具有 10 多年历史的专业电子元器件供应商，是中国最早和最大的仓储式连锁规模经营大型综合电子零部件代理分销商之一，是一家专业代理和分销世界各大品牌 IC 芯片和电子元器件的连锁经营综合性国际公司，专业经营进口、国产名厂名牌电子元件，型号、种类齐全。在香港、北京、深圳、上海、西安、成都等全国主要电子市场设有直属分公司和产品展示展销窗口门市部专卖店及代理分销商，已在全国范围内建成强大统一的供货和代理分销网络。我们专业代理经销、开发生产电子元器件、集成电路、传感器、微波光电元器件、工控机/DOC/DOM 电子盘、专用电路、单片机开发、MCU/DSP/ARM/FPGA 软件硬件、二极管、三极管、模块等，是您可靠的一站式现货配套供应商、方案提供商、部件功能模块开发配套商。商斯达实业公司拥有庞大的资料库，有数位毕业于著名高校——有中国电子工业摇篮之称的西安电子科技大学（西军电）并长期从事国防尖端科技研究的高级工程师为您精挑细选、量身订做各种高科技电子元器件，并解决各种技术问题。

更多产品请看本公司产品专用销售网站：

商斯达中国传感器科技信息网：<http://www.sensor-ic.com/>

商斯达工控安防网：<http://www.pc-ps.net/>

商斯达电子元器件网：<http://www.sunstare.com/>

商斯达微波光电产品网：[HTTP://www.rfoe.net/](http://www.rfoe.net/)

商斯达消费电子产品网：<http://www.icasic.com/>

商斯达实业科技产品网：<http://www.sunstars.cn/>

传感器销售热线：

地址：深圳市福田区福华路福庆街鸿图大厦 1602 室

电话：0755-83370250 83376489 83376549 83607652 83370251 82500323

传真：0755-83376182 (0) 13902971329 MSN: SUNS8888@hotmail.com

邮编：518033 E-mail:szss20@163.com QQ: 195847376

深圳赛格展销部：深圳华强北路赛格电子市场 2583 号 电话：0755-83665529 25059422

技术支持：0755-83394033 13501568376

欢迎索取免费详细资料、设计指南和光盘；产品凡多，未能尽录，欢迎来电查询。

北京分公司：北京海淀区知春路 132 号中发电子大厦 3097 号

TEL: 010-81159046 82615020 13501189838 FAX: 010-62543996

上海分公司：上海市北京东路 668 号上海赛格电子市场 2B35 号

TEL: 021-28311762 56703037 13701955389 FAX: 021-56703037

西安分公司：西安高新开发区 20 所(中国电子科技集团导航技术研究所)

西安劳动南路 88 号电子商城二楼 D23 号

TEL: 029-81022619 13072977981 FAX:029-88789382