

AVAILABLE
with Signature
Calibration
SEE PG. IN-5

Mid Range Wet/Wet Differential Pressure Transducers

Models Z and A-5

50 TO 750 PSID

ACCURACY TO 0.25%

HIGH LINE

AMPLIFIED OUTPUT AVAILABLE



CENELEC



APPROVED
INTRINSICALLY
SAFE AMP

SENSOTEC Models Z and A-5 Mid Range Wet/Wet Differentials are high accuracy, bonded foil strain gage transducers designed to accept fluid in both ports and measure differential pressure ranges of 50 to 750 psid. Standard features such as overload stops and stainless steel construction provide unit durability in rugged industrial environments. Each series is bi-directional and achieves accuracies of .25-.5% full scale. The models are available with extended temperature ranges. Typical applications include flow measurement, depth sensing, pressure equalization, and liquid level.

Dimensions

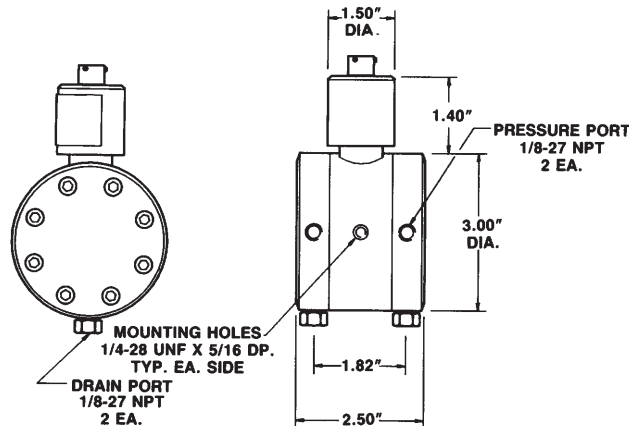
Model Z (Order Code AD122)

Model A-5 (Order Code AD123)

Available Ranges*

50; 75; **100**; 150; **200**; 300; **500**; 750 psid

* Stocked ranges are in bold faced print. Model A-5 is stocked complete and semi-complete. Model Z is stocked semi-complete (3-6 weeks) only.



Model Z or A-5

Options (See Appendix)

Temperature compensated 1b, 1c, 1d, 1e, 1f; Internal amps 2b, 2c, 2n, 2j; Amp enhancements 3b, 3d; Electrical termination 6e, 6f, 6g, 6h; Int. shunt cal 8a; 25b; Signature calibration 53e

Premium Options: 1g, 1i; 2q; 3a, 3c; 5c; 6b, 6c, 6i; 10a; 26a

Accessories: Mating connectors and connector/cable assemblies; Pressure port adapters

SENSOTEC

	Model Z Order Code AD122	Model A-5 Order Code AD123	
PERFORMANCE	Pressure Ranges.....	50 to 750 psid	50 to 750 psid
	Accuracy (min)	±0.25% F.S.	±0.5% F.S.
	Non-Linearity (max).....	±0.15% F.S.	±0.25% F.S.
	Hysteresis (max)	±0.10% F.S.	±0.13% F.S.
	Non-Repeatability (max).....	±0.05% F.S.	±0.07% F.S.
	Output (standard)	2mV/V	2mV/V
	Resolution	Infinite	Infinite
ENVIRONMENTAL	Temperature, Operating	-65° F to 250° F	-65° F to 250° F
	Temperature, Compensated	60° F to 160° F	60° F to 160° F
	Temperature Effect		
	– Zero (max).....	.5% F.S./100° F	.75% F.S./100° F
	– Span (max).....	.5% Rdg./100° F	1% Rdg./100° F
ELECTRICAL	Strain Gage Type	Bonded foil	Bonded foil
	Excitation (calibration)	10VDC	10VDC
	Excitation (acceptable)	Up to 10VDC or AC	Up to 15VDC or AC
	Insulation Resistance	5000 megohm @ 50VDC	5000 megohm @ 50VDC
	Bridge Resistance	350 ohm	350 ohm
	Shunt Calibration Data	Included	Included
	Wiring Code (std)	#2 (See Pg. AP-8)	#2 (See Pg. AP-8)
	Electrical Termination (std).....	PTIH-10-6P or equiv. (Hermetic stainless)	PTIH-10-6P or equiv.
Mating Connector (not incl.)	PT06A-10-6S or equiv.	PT06A-10-6S or equiv.	
MECHANICAL	Media.....	Gas, Liquid	Gas, Liquid
	Maximum Line Pressure	1500 psi	1500 psi
	Maximum Overload – safe (either side)	1500 psi	1500 psi
	Pressure Port	1/8-27 NPT	1/8-27 NPT
	Tapped Mounting Hole (2ea)	1/4-28 UNF x 5/16 DP	1/4-28 UNF x 5/16 DP
	Drain Port	1/8-27 NPT	1/8-27 NPT
	Wetted Parts Material.....	17-4 PH Stainless	17-4 PH Stainless
	Weight	5.0 lbs.	5.0 lbs.
	O-Ring Seals	viton	viton
	Dead Volume.....	0.25 cu. in.	0.25 cu. in.
Case Material	17-4 Stainless	17-4 Stainless	
INTERNALLY AMPLIFIED UNITS (Optional)	Outputs Available	±5VDC, 4-20mA	±5VDC, 4-20mA
	Additional Length.....	2"	2"

NOTE: Unless otherwise specified on order, amplified units with **4-20mA output will provide 4mA at 0 psid and 20mA at positive full scale** and the unit will not operate in the negative direction. An available alternative is to specify 4mA at negative full scale and 20mA at positive full scale. Intrinsically safe amp (Option 2n) adds 2" to amplifier housing.

General Information

How to order (See Pg. AP-19)
Differential pressure selection flow chart (See Pg. DP-1)

SUNSTAR 商斯达实业集团是集研发、生产、工程、销售、代理经销、技术咨询、信息服务等为一体的高科技企业，是专业高科技电子产品生产厂家，是具有 10 多年历史的专业电子元器件供应商，是中国最早和最大的仓储式连锁规模经营大型综合电子零部件代理分销商之一，是一家专业代理和分销世界各大品牌 IC 芯片和电子元器件的连锁经营综合性国际公司，专业经营进口、国产名厂名牌电子元件，型号、种类齐全。在香港、北京、深圳、上海、西安、成都等全国主要电子市场设有直属分公司和产品展示展销窗口门市部专卖店及代理分销商，已在全国范围内建成强大统一的供货和代理分销网络。我们专业代理经销、开发生产电子元器件、集成电路、传感器、微波光电元器件、工控机/DOC/DOM 电子盘、专用电路、单片机开发、MCU/DSP/ARM/FPGA 软件硬件、二极管、三极管、模块等，是您可靠的一站式现货配套供应商、方案提供商、部件功能模块开发配套商。商斯达实业公司拥有庞大的资料库，有数位毕业于著名高校——有中国电子工业摇篮之称的西安电子科技大学（西军电）并长期从事国防尖端科技研究的高级工程师为您精挑细选、量身订做各种高科技电子元器件，并解决各种技术问题。

更多产品请看本公司产品专用销售网站：

商斯达中国传感器科技信息网：<http://www.sensor-ic.com/>

商斯达工控安防网：<http://www.pc-ps.net/>

商斯达电子元器件网：<http://www.sunstare.com/>

商斯达微波光电产品网：[HTTP://www.rfoe.net/](http://www.rfoe.net/)

商斯达消费电子产品网：<http://www.icasic.com/>

商斯达实业科技产品网：<http://www.sunstars.cn/>

传感器销售热线：

地址：深圳市福田区福华路福庆街鸿图大厦 1602 室

电话：0755-83370250 83376489 83376549 83607652 83370251 82500323

传真：0755-83376182 (0) 13902971329 MSN: SUNS8888@hotmail.com

邮编：518033 E-mail:szss20@163.com QQ: 195847376

深圳赛格展销部：深圳华强北路赛格电子市场 2583 号 电话：0755-83665529 25059422

技术支持：0755-83394033 13501568376

欢迎索取免费详细资料、设计指南和光盘；产品凡多，未能尽录，欢迎来电查询。

北京分公司：北京海淀区知春路 132 号中发电子大厦 3097 号

TEL: 010-81159046 82615020 13501189838 FAX: 010-62543996

上海分公司：上海市北京东路 668 号上海赛格电子市场 2B35 号

TEL: 021-28311762 56703037 13701955389 FAX: 021-56703037

西安分公司：西安高新开发区 20 所(中国电子科技集团导航技术研究所)

西安劳动南路 88 号电子商城二楼 D23 号

TEL: 029-81022619 13072977981 FAX:029-88789382