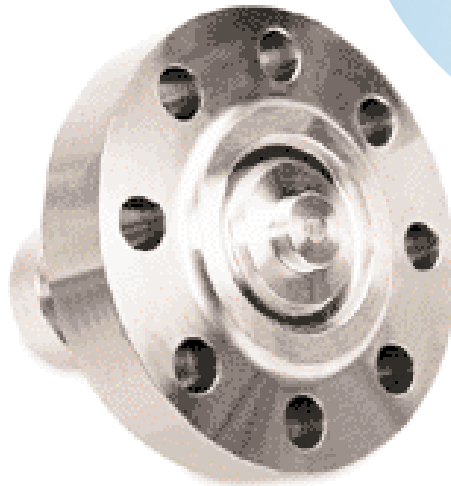


PTX 400 Series

Subsea Wellhead Pressure/Temperature Transmitters

- Standard pressure ranges up to 690 bar, temperature measurement -40 to 150°C
- External pressure to 3000 mH₂O
- Better than 0.1% accuracy
- High reliability and excellent long term stability
- All welded construction, high containment
- Customised designs available



The PTX 400 series of pressure, temperature and combined pressure/temperature transmitters has been specifically designed for long term use in subsea locations. It enables accurate process measurements to be made directly on subsea wellheads and production manifolds. The sensor design is based on API performance requirement PRI and product specification level PSL3.

The PTX 400 utilises micromachined piezo resistive silicon pressure measuring technology continually developed and proven by Druck for 30 years. In addition, for the TTX and PTTX variants, precision temperature measurement capability over a wide operating range is provided by a fully integrated high performance platinum resistance type sensor.

Pressure ranges are available to 690 bar as standard with proof pressure at 1.5 x full scale range and secondary pressure containment in excess of 1035 bar. All units in the 400 series are suitable for continuous use in excess of 25 years, when immersed in saltwater depths of up to 3000 metres.

PTX 400 Series



Subsea Wellhead Pressure/Temperature Transmitters

STANDARD SPECIFICATIONS

Pressure (PTX), temperature (TTX) and combined pressure/temperature (PTTX) versions can be specified as required.

Pressure Measurement

Operating Pressure Ranges

Any full scale range and engineering units may be specified between 0 - 70 bar to 0 - 690 bar sealed gauge or absolute. Higher ranges available. Please refer to Druck.

Proof Pressure

Proof pressure tested to 1.5 x F.S.

Overpressure

The operating pressure range can be exceeded by 2 x F.S. without degrading performance.

Secondary Containment Pressure

The transmitter will safely contain up to 1035 bar maximum without leakage of pressure media.

Pressure Media

Fluids compatible with a fully welded assembly of Inconel 625.

Temperature Measurement

Operating Temperature Ranges

Suitable for -40 to 150°C.

Transmitter Supply Voltage

9 to 30V d.c. The minimum supply voltage that must appear across the transmitter terminals is 9Vd.c. and is calculated by:

$$V_{MIN} = V_{SUP} - (0.02 \times R_{LOOP})$$

Supply Sensitivity

±0.005% F.S./Volt.

Insulation Resistance

>100MΩ at 500V d.c.

Output Current

4 to 20mA (2-wire) proportional for specified operating pressure or temperature range. Other outputs available, please refer to Druck.

Performance

Accuracy

Combined Non-linearity, Hysteresis and Repeatability:
Pressure: < ±0.1% F.S. (B.S.L)
Temperature: ±0.2% F.S. typical.

Zero Offset and Span Setting

±0.5% F.S. nominal @ 23°C.

Long Term Stability

At standard reference conditions the calibration will not exceed ±0.1% F.S. per annum.

Temperature Range

Process/ambient -40 to 150°C
Compensated 0 to 100°C typical
Storage -50 to 80°C

Temperature Effects

1.5% F.S. Total Error Band typical on pressure measurements.

Physical

Process Connection

10000 psi API 2 1/16" flange to API 6A-6BX BX152. Others available on request.

Electrical Connection

Compatible with all major proprietary types of subsea connectors. Please refer to Druck.

Weight

13.5 kg nominal.

Ingress Protection

IP68, submersible to 3000mH₂O.

Safety

EMC emissions	EN50081-1
EMC Immunity	EN61000-6-2
Certification	CE marked.

ORDERING INFORMATION

Please state the following:

- (1) Type number:
PTX 400 - Pressure transmitter
PTTX 400 - Pressure/Temperature transmitter
TTX 400 - Temperature transmitter.
- (2) Operating pressure range (Sealed gauge or absolute), for PTX/PTTX versions only.
- (3) Process and electrical connections.

The PTX 400 series can be further customised to suit individual user requirements. Please refer to Druck.

RELATED PRODUCTS

Druck manufactures a comprehensive range of pressure sensors, indicators, calibrators, controllers and deadweight testers. The range of portable calibrators also covers temperature and electrical parameters.

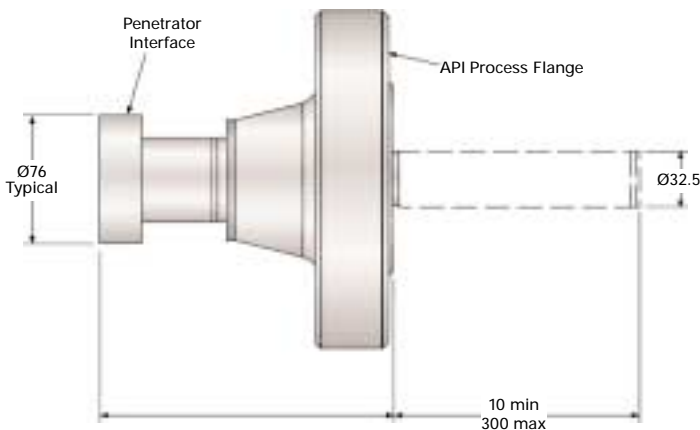
Please refer to Druck for further information and datasheets.

CALIBRATION STANDARDS

Instruments manufactured by Druck Limited are calibrated against precision pressure calibration equipment which is traceable to International Standards.

Continuing development sometimes necessitates specification changes without notice.

INSTALLATION DRAWINGS - Dimensions in mm



Druck Limited

Fir Tree Lane, Groby
Leicester, LE6 0FH, England

Tel: +44 (0) 116 231 7100
Fax: +44 (0) 116 231 7103
E-Mail: sales@druck.com
Internet: www.druck.com



Agent:

SUNSTAR 商斯达实业集团是集研发、生产、工程、销售、代理经销、技术咨询、信息服务等为一体的高科技企业，是专业高科技电子产品生产厂家，是具有 10 多年历史的专业电子元器件供应商，是中国最早和最大的仓储式连锁规模经营大型综合电子零部件代理分销商之一，是一家专业代理和分销世界各大品牌 IC 芯片和电子元器件的连锁经营综合性国际公司，专业经营进口、国产名厂名牌电子元件，型号、种类齐全。在香港、北京、深圳、上海、西安、成都等全国主要电子市场设有直属分公司和产品展示展销窗口门市部专卖店及代理分销商，已在全国范围内建成强大统一的供货和代理分销网络。我们专业代理经销、开发生产电子元器件、集成电路、传感器、微波光电元器件、工控机/DOC/DOM 电子盘、专用电路、单片机开发、MCU/DSP/ARM/FPGA 软件硬件、二极管、三极管、模块等，是您可靠的一站式现货配套供应商、方案提供商、部件功能模块开发配套商。商斯达实业公司拥有庞大的资料库，有数位毕业于著名高校——有中国电子工业摇篮之称的西安电子科技大学（西军电）并长期从事国防尖端科技研究的高级工程师为您精挑细选、量身订做各种高科技电子元器件，并解决各种技术问题。

更多产品请看本公司产品专用销售网站：

商斯达中国传感器科技信息网：<http://www.sensor-ic.com/>

商斯达工控安防网：<http://www.pc-ps.net/>

商斯达电子元器件网：<http://www.sunstare.com/>

商斯达微波光电产品网：[HTTP://www.rfoe.net/](http://www.rfoe.net/)

商斯达消费电子产品网：<http://www.icasic.com/>

商斯达实业科技产品网：<http://www.sunstars.cn/>

传感器销售热线：

地址：深圳市福田区福华路福庆街鸿图大厦 1602 室

电话：0755-83370250 83376489 83376549 83607652 83370251 82500323

传真：0755-83376182 (0) 13902971329 MSN: SUNS8888@hotmail.com

邮编：518033 E-mail:szss20@163.com QQ: 195847376

深圳赛格展销部：深圳华强北路赛格电子市场 2583 号 电话：0755-83665529 25059422

技术支持：0755-83394033 13501568376

欢迎索取免费详细资料、设计指南和光盘；产品凡多，未能尽录，欢迎来电查询。

北京分公司：北京海淀区知春路 132 号中发电子大厦 3097 号

TEL: 010-81159046 82615020 13501189838 FAX: 010-62543996

上海分公司：上海市北京东路 668 号上海赛格电子市场 2B35 号

TEL: 021-28311762 56703037 13701955389 FAX: 021-56703037

西安分公司：西安高新开发区 20 所(中国电子科技集团导航技术研究所)

西安劳动南路 88 号电子商城二楼 D23 号

TEL: 029-81022619 13072977981 FAX:029-88789382