

PDCR/PTX 1730 Series

Submersible Level Pressure Sensors

1730 SERIES



- Ranges from 1.5 to 600 mH₂O
- Millivolt and milliamp output
- 17.5 mm diameter package
- ± 0.25% accuracy
- Pulse power operation
- System accessories

The 1730 series has been developed as a general purpose hydrostatic liquid level sensor, designed to work in low powered, arduous applications, including surface water, ground water and tank contents.

It is the latest generation of submersible products manufactured by Druck over the past 27 years and features high performance micro-machined silicon technology, packaged in a fully welded 316 stainless steel assembly.

Application specific features include a Kevlar strain relieved vented cable, internal condensation protection and an IP68 injection moulded cable assembly, which guarantees sensor operation over an extended lifetime.

The PDCR 1730 (mV) and PTX 1730 (mA) are available with fixed cable lengths for quick delivery and a range of OEM specific variants including digital performance characterisation and temperature measurement capability for data logger manufacturers.



PDCR/PTX 1730 Series

Submersible Level Pressure Sensors

STANDARD SPECIFICATION

Pressure Measurement

Operating Pressure Ranges

PDCR 1730 (mV)

1.5, 3.5, 7, 10, 15, 20, 35, 50, 70, 100, 150, 200, 350, 600 mH₂O gauge

PTX 1730 (mA)

Any zero based full scale (FS) from 1.5 mH₂O through to 600 mH₂O gauge can be specified.

Other specifiable units: ftH₂O, bar, mbar, psi, inH₂O, Kpa, kg/cm²

Overpressure

The operating pressure range can be exceeded by the following multiples with negligible effect on calibration.

6 x for 1.5 mH₂O range

4 x for ranges up to 3.5 mH₂O

2 x for ranges up to 600 mH₂O

Pressure Containment

10 x for ranges up to 3.5 mH₂O

4 x for ranges up to 600 mH₂O (1400 mH₂O max)

Pressure Media

Fluids compatible with 316 stainless steel, Polyurethane (cable) and EPDM (nose cone).

Excitation Voltage

PDCR 1730 (mv) 10V at 1mA nominal

PTX1730 (mA) 9 to 30Vdc across terminals

pulse power operation refer to technical note

Output Signal

PDCR 1730

50 mV for ranges 1.5 and 3.5 mH₂O

100 mV for ranges 7 mH₂O and above

PTX 1730

4 to 20 mA proportional to the span

Performance Specification

Accuracy

Combined effects of Non-linearity, Hysteresis and Repeatability: $\pm 0.25\%$ FS BSL maximum

Zero Offset & Span Setting

PDCR 1730

Maximum: ± 3 mV

PTX 1730

Maximum: ± 0.1 mA

Long Term Stability

$\pm 0.2\%$ FS typically per annum

Operating Temperature Range

-20°C to 60°C

Temperature Effects

$\pm 0.5\%$ FS TEB over -2°C to 30°C

For 1.5 mH₂O range multiply x 2

Insulation Resistance

Greater than 100 M Ω at 500 Vdc

Common Mode Voltage (mV only)

Nominally 50% of excitation voltage

Output Impedance (mV only)

5k Ω nominal.

RFI/EMC CE Certification

EMC emissions - EN 50081-2

EMC immunity - EN 50082-2

Voltage Spike Protection (mA only)

Units will withstand a 600V voltage spike (EN 61000-4-5:1995) applied between all excitation lines and case.

Mechanical Shock

20g peak 1 ms half sine pulse in each of 3 mutually perpendicular axes will not affect performance.

Physical Specification

Pressure Connection

G 1/4 (female) with recessed open face diaphragm, fitted with protective EPDM nose cone.

Electrical Connection

6-core vented polyurethane cable supplied with Kevlar strain relieving cord in fixed lengths. Maximum cable assembly load 50 kg. Water ingress protection IP68 to 700 mH₂O.

Fixed Cable Lengths

2, 6, 10, 15, 20, 25, 30, 40, 60, 90, 120 metres. Variable cable lengths available from 120 to 600 metres

ACCESSORIES

(A)STE Sensor Termination Enclosure (202-034-01)

(B)17.5mm Slimline Sink Weight (222-116-01)

(C)Cable Clamp System (192-373-01)

(D)G1/8 Calibrator Adaptor (DA2536-1-01)

for accessory details refer to product note

DOCUMENTATION

Statement of conformity and installation notes supplied as standard.

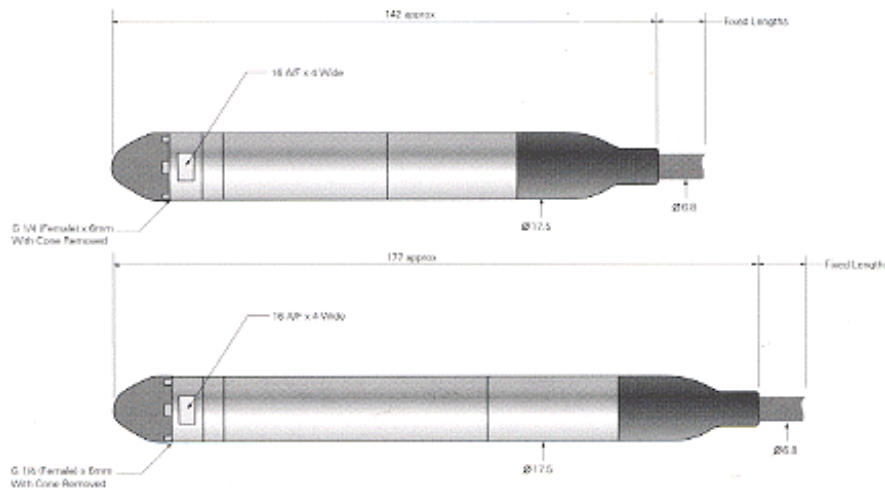
ORDERING INFORMATION

Please state the following:

- (1) Model PDCR 1730 or PTX 1730
- (2) Pressure range and pressure units
- (3) Fixed cable length required
- (4) Accessories (order as separate items)

Continuing development sometimes necessitates specification changes without notice

INSTALLATION DRAWINGS - Dimensions mm



Electrical Connections PDCR 1730

Red: Supply positive
White: Supply negative
Yellow: Output positive
Blue: Output negative
Screen wire connected to case
Remaining cores not connected

PTX 1730

Red: Supply positive
Blue: Supply negative
Screen wire connected to case
Remaining cores not connected

Druck Limited
Fir Tree Lane, Groby
Leicester, LE6 0FH

Tel: +44 (0) 116 231 7100
Fax: +44(0) 116 231 7103
E-mail: sales@druck.com
Internet: www.druck.com



Agent

SUNSTAR 商斯达实业集团是集研发、生产、工程、销售、代理经销、技术咨询、信息服务等为一体的高科技企业，是专业高科技电子产品生产厂家，是具有 10 多年历史的专业电子元器件供应商，是中国最早和最大的仓储式连锁规模经营大型综合电子零部件代理分销商之一，是一家专业代理和分销世界各大品牌 IC 芯片和电子元器件的连锁经营综合性国际公司，专业经营进口、国产名厂名牌电子元件，型号、种类齐全。在香港、北京、深圳、上海、西安、成都等全国主要电子市场设有直属分公司和产品展示展销窗口门市部专卖店及代理分销商，已在全国范围内建成强大统一的供货和代理分销网络。我们专业代理经销、开发生产电子元器件、集成电路、传感器、微波光电元器件、工控机/DOC/DOM 电子盘、专用电路、单片机开发、MCU/DSP/ARM/FPGA 软件硬件、二极管、三极管、模块等，是您可靠的一站式现货配套供应商、方案提供商、部件功能模块开发配套商。商斯达实业公司拥有庞大的资料库，有数位毕业于著名高校——有中国电子工业摇篮之称的西安电子科技大学（西军电）并长期从事国防尖端科技研究的高级工程师为您精挑细选、量身订做各种高科技电子元器件，并解决各种技术问题。

更多产品请看本公司产品专用销售网站：

商斯达中国传感器科技信息网：<http://www.sensor-ic.com/>

商斯达工控安防网：<http://www.pc-ps.net/>

商斯达电子元器件网：<http://www.sunstare.com/>

商斯达微波光电产品网：[HTTP://www.rfoe.net/](http://www.rfoe.net/)

商斯达消费电子产品网：<http://www.icasic.com/>

商斯达实业科技产品网：<http://www.sunstars.cn/>

传感器销售热线：

地址：深圳市福田区福华路福庆街鸿图大厦 1602 室

电话：0755-83370250 83376489 83376549 83607652 83370251 82500323

传真：0755-83376182 (0) 13902971329 MSN: SUNS8888@hotmail.com

邮编：518033 E-mail:szss20@163.com QQ: 195847376

深圳赛格展销部：深圳华强北路赛格电子市场 2583 号 电话：0755-83665529 25059422

技术支持：0755-83394033 13501568376

欢迎索取免费详细资料、设计指南和光盘；产品凡多，未能尽录，欢迎来电查询。

北京分公司：北京海淀区知春路 132 号中发电子大厦 3097 号

TEL: 010-81159046 82615020 13501189838 FAX: 010-62543996

上海分公司：上海市北京东路 668 号上海赛格电子市场 2B35 号

TEL: 021-28311762 56703037 13701955389 FAX: 021-56703037

西安分公司：西安高新开发区 20 所(中国电子科技集团导航技术研究所)

西安劳动南路 88 号电子商城二楼 D23 号

TEL: 029-81022619 13072977981 FAX:029-88789382