



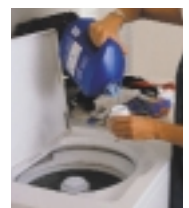
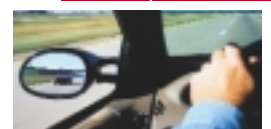
ANALOG ICs

INTEGRATED  
SOLUTIONS

APPLICATIONS

#### GENERIC SYSTEM DIAGRAMS

- **MOTOR CONTROL** - Regulates the speed, rotation and torque of a motor
- **MOTION CONTROL** - Governs the physical displacement, movement, location or position of a mechanical assembly driven by an intermittent duty motor
- **STATIC LOAD CONTROL** - Fully or partially powers-up the elements of a relatively constant load
- **EMBEDDED POWER SUPPLY** - Converts system input power to the voltages and currents required by the MCU or DSP
- **WIRED COMMUNICATION** - Provides device-to-device communication within a system



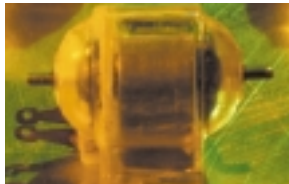
### MOTOR CONTROL GENERIC SYSTEM DIAGRAM

Motor control is the function of regulating the speed, rotation and torque of a motor.



#### TYPICAL APPLICATIONS:

- Blowers
- Fans
- Vacuums
- Pumps
- Compressors
- Golf Carts
- Scooters
- Electric Wheelchairs
- Electric Boats
- Conveyors
- Shakers
- Vibrators
- Mixers
- Shredders
- Winches
- Elevators
- Treadmills
- Power Tools



#### LOOP CONTROL SCHEMA:

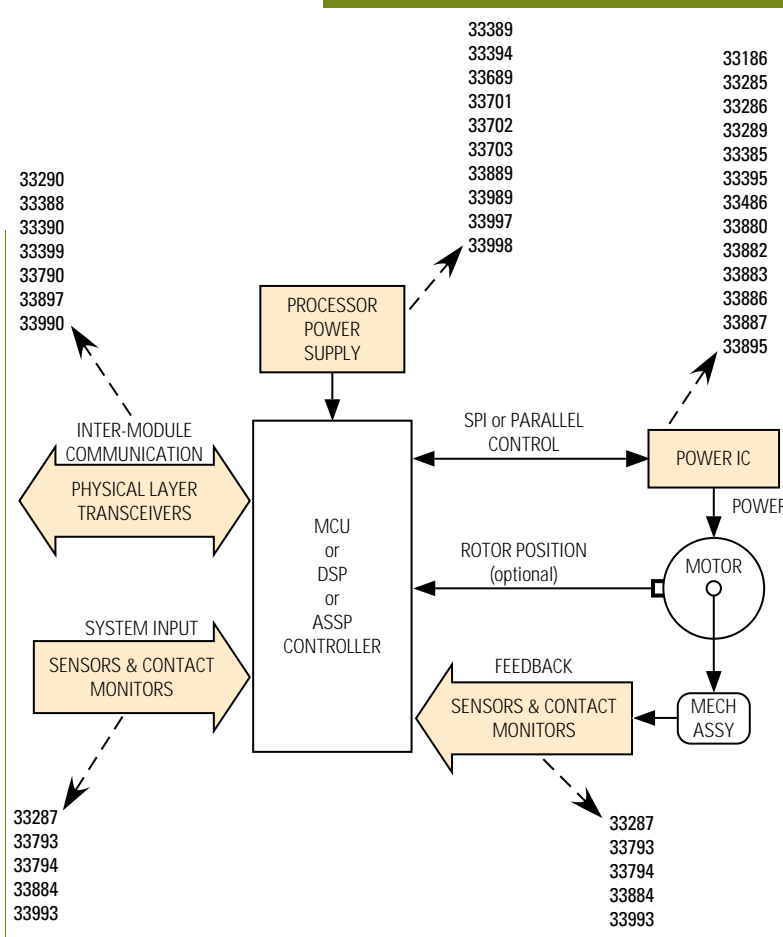
- Speed
- Torque/Current
- Voltage
- Rotation (CW/CCW)
- None (Open Loop)

#### POWER CONTROL SCHEMA:

- ON/OFF
- PWM
- Linear
- Volts/Hertz
- Rotating Vector
- Phase Angle

#### MOTOR TYPES:

- DC Brush Commutator
- DC 3-Phase Brushless
- Universal
- AC Induction
- Switched Reluctance



#### CONSIDER:

- MC68HC08
- MC68HC12
- DSP56800
- MPC555

**MOTOR CONTROL GENERIC SYSTEM DEVICES**

Motorola Part Number	Description	Main Characteristic	Portfolio Category
33186	150 mΩ H-Bridge	150 mΩ High- and Low-Side Switches with Protection Features	POWER IC H-Bridge
33285	Dual High-Side TMOS Driver	Dual FET Pre-Driver with Single Input and Protection Features	POWER IC High-Side Switch
33286	Dual High-Side TMOS Driver (25 mΩ R <sub>DS(ON)</sub> )	30 A Output Current Limit, Overtemperature and Undervoltage Shutdown, and Status Reporting	POWER IC High-Side Switch
33287	Contact Monitoring and Dual Low-Side Protected Switch	8x Voltage Sense Inputs with Thresholds Ratiometric to V <sub>BAT</sub> for Ground or V <sub>BAT</sub> Sensing	SAFETY/SENSORS Contact Monitor
33289	Dual High-Side Switch for Inductive Loads (30 mΩ R <sub>DS(ON)</sub> )	Independent Overcurrent, Over- and Undervoltage Shutdown, Overtemperature Shutdown, and Diagnostics	POWER IC High-Side Switch
33290	Serial ISO-9141 K-Line Interface	Bi-Directional Half-Duplex Communication to 50 kB/s, Bus Shorts and Overtemperature Protection	COMMUNICATION ISO-9141
33385	Quad Low-Side Switch (250 mΩ R <sub>DS(ON)</sub> )	Fully Protected Switches with Parallel Control, Independent SPI Diagnostics Reporting	POWER MANAGEMENT Switching Regulator
33388	Fault Tolerant CAN Interface	Low-Speed CAN with Automatic Single Wire Fault Mode, Bus Activity Wake-Up with Inhibit Output	COMMUNICATION CAN
33389	System Basis Chip with Low-Speed CAN	Protected Dual Regulator, Window Watchdog, Reset, Interrupt, Wake-Ups, SPI, CAN Transceiver	POWER MANAGEMENT Linear Regulator
33390	Serial Link ISO-9141 Bus Transceiver	Single-Wire Communication using VPW Modulation to 20 kB/s, Waveshaping, and Current Limited Bus Driver	COMMUNICATION ISO-9141
33394	Multiple Output Power Supply	Step-Up/Down Pre-Regulator, 8x Voltage Outputs, SPI, High-Speed CAN Transceiver with Wake-Up Function	POWER MANAGEMENT Switching Regulator
33395	Three-Phase Bridge Pre-Driver	3-Channel High-Side / Low-Side External MOSFET Driver with Fault Reporting and Mode Select	POWER IC H-Bridge
33399	Local Interconnect Network LIN - Physical Layer	LIN Transceiver with Wake and Enable Inputs, Inhibit Output	COMMUNICATION LIN
33486	Dual High-Side Switch for H-Bridge	Protected, 40 mΩ, Up to 10 A, Outputs to Control Two External FETs for H-Bridge, Load Current Feedback	POWER IC H-Bridge
33689	System Base Chip with LIN Transceiver	2x Voltage Outputs + 2x High-Side Switches, Fully Protected, Pre-Warning, Window Watchdog, SPI	POWER MANAGEMENT Linear Regulator
33701	Microprocessor Power Supply (1.5 A)	Adjustable Synchronous and Linear Regulators, Voltage Margining, Adjustable PWM Frequency, Resets	POWER MANAGEMENT Switching Regulator
33702	Microprocessor Power Supply (3.0 A)	Adjustable Synchronous and Linear Regulators, Voltage Margining, Adjustable PWM Frequency, Resets	POWER MANAGEMENT Switching Regulator
33703	Microprocessor Power Supply (10 A)	Adjustable Synchronous and Linear Regulators, Voltage Margining, Adjustable PWM Frequency, Resets	POWER MANAGEMENT Switching Regulator
33790	2-Channel DSI Physical Interface for Bus Masters	Dual Current-Limited and Waveshaped Outputs, Current Sensing Inputs, 3.3 V and 5.0 V	COMMUNICATION Distributed System
33793	DSI Slave for Remote Sensing	4-Channel, 8-Bit A-to-D, 5.0 V Regulated Output, DSI Bus, Configurable I/O, Fault Tolerant, High-Drive Output	COMMUNICATION Distributed System
33794	Electric Field Imaging Device	Non-Contact, Low-Level Electric Field Sensing, Nine Electrodes, ISO-9141 Interface, Direct Interfacing to MCU	SAFETY/SENSORS Object Sensor
33880	(0.55 Ω R <sub>DS(ON)</sub> ) Configurable Eight Output Switch with SPI	Fully Protected, Low-Side / High-Side Configurable, Diagnostics, OFF Open Load Detect	POWER IC Configurable Switch
33882	Six Output Switch (0.3 Ω R <sub>DS(ON)</sub> ) with SPI and Parallel Input Control	Fully Protected, 6x 1.0 A (SPI and Parallel Control) + 2x 30 mA (Parallel Control) Switches, SPI Diagnostics	POWER IC Low-Side Switch
33883	H-Bridge Pre-Driver	Drives Four External N-Channel FETs, 4x Parallel Input Control, Fast PWM, "Global" Enable	POWER IC Pre-Driver (TMOS)
33884	Switch Monitor Interface	12 Sense Inputs (6x GND, 2x V <sub>BAT</sub> , 4x Configurable), SPI Wetting Current, Status Change Interrupt/Wake-Up	SPECIAL FUNCTION
33886	5.2 A H-Bridge	Supports Forward, Reverse, Freewheeling, 10 kHz PWM, Status, Disable Inputs	POWER IC H-Bridge
33887	5.2 A H-Bridge	Supports Forward, Reverse, Freewheeling, 10 kHz PWM, Status, Disable Inputs, Load Current Feedback	POWER IC H-Bridge
33889	System Basis Chip with Low-Speed Fault Tolerant CAN	2x Regulator, High-Side Switched Power, LS CAN, SPI, Wake-Up Inputs, Window Watchdog, Reset, Interrupt	POWER MANAGEMENT Linear Regulator
33895	Quad H-Bridge with LIN Transceiver	4x 400 mΩ H-Bridges, Load Current Feedback, Diagnostics	POWER IC H-Bridge
33897	Single Wire CAN Transceiver	Carrier Sense Multiple Access/Collision Resolution (CSMA/CR) Data Link, Bus Activity Sleep/Wake-Up	COMMUNICATION SWCAN
33989	System Basis Chip with High-Speed CAN	2x Regulator, High-Side Switched Power, SPI, Wake-Up Inputs, Window Watchdog, Interrupt, CAN Transceiver	POWER MANAGEMENT Linear Regulator
33990	Serial Link J-1850 Bus Transceiver	J-1850 Multiplexing Bus with Enhanced Ground Loss Protection	COMMUNICATION J-1850
33993	Switch Monitor Interface	Programmable Sensors: 4x V <sub>BAT</sub> and GND, 6x GND, 2x V <sub>BAT</sub> , Programmable Wetting Current, Reset, Interrupt	SPECIAL FUNCTION Contact Monitor
33997	3.3/5.0 V Switching Power Supply	5.0 V Sensorless Current Mode Buck + 3.3 V Linear Regulator, 3.3 V Standby, Reset and Power-ON Reset	POWER MANAGEMENT Switching Regulator
33998	2.6/5.0 V Switching Power Supply	5.0 V Sensorless Current Mode Buck + 2.6 V Linear Regulator, 2.6 V Standby, Reset and Power-ON Reset	POWER MANAGEMENT Switching Regulator

**MOTION CONTROL GENERIC SYSTEM DIAGRAM**

Motion control is the function of governing the physical displacement, movement, location or position of a mechanical assembly driven by an intermittent duty motor.

**TYPICAL APPLICATIONS:**

- CNC Machining
- Robotics
- HVAC Mix Louvres
- Hard Automation
- Power-Assisted Operator Controls
- Process Controls
- Autopilots
- Guidance/Steering Controls
- Servos and Radio Control
- Antenna Rotors
- Dish Positioners
- Power Adjustable Beds
- Remote Pan and Tilt Mounts
- Printer Paper Handlers
- Scanners
- Consumer Portable Products
- Digital Cameras
- Printers
- Office Equipment

**LOOP CONTROL SCHEMA:**

- Rotation (CW/CCW)
- Position
- Step Count
- Operator (Open Loop)

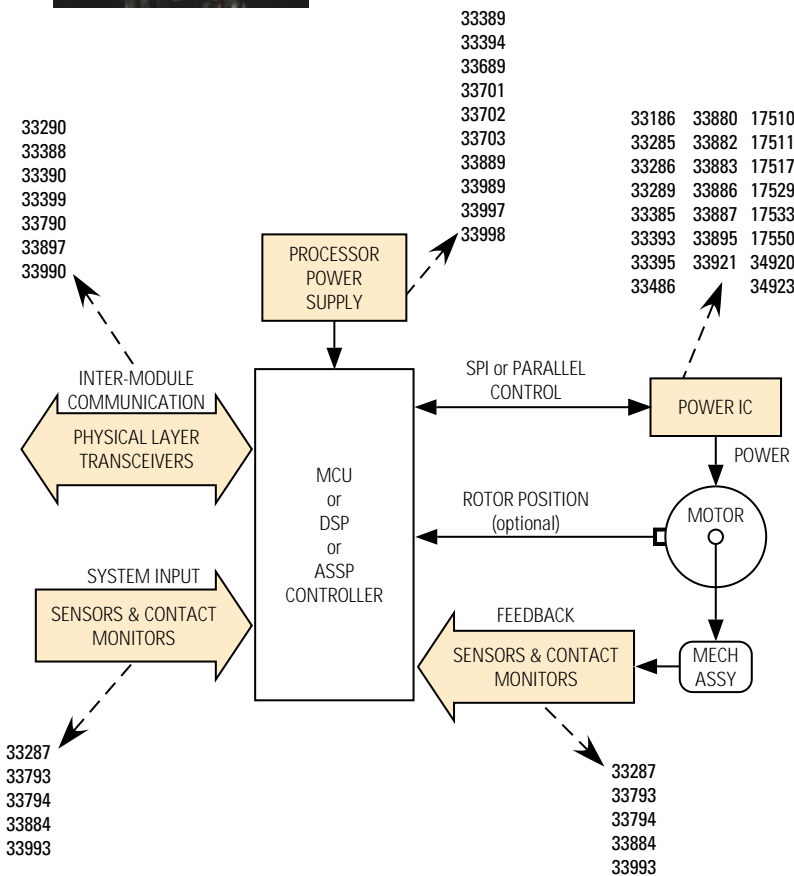


**POWER CONTROL SCHEMA:**

- ON / OFF
- PWM
- Linear
- Stepper (Pulse & Hold)

**MOTOR TYPES:**

- DC Brush Commutator
- Brushless DC
- Stepper
- Linear
- Solenoid
- Servos



**CONSIDER:**

- MC68HC08
- MC68HC12
- DSP56800
- MPC5200

**MOTION CONTROL GENERIC SYSTEM DEVICES**

 SUNSTAR传感与控制 <http://www.sensor-ic.com/> TEL: 0755-83376549 FAX: 0755-83376182 E-MAIL: szss20@163.com

Part Number	Description	Main Characteristic	Portfolio Category
33186	150 mΩ H-Bridge	150 mΩ High- and Low-Side Switches with Protection Features	POWER IC H-Bridge
33285	Dual High-Side TMOS Driver	Dual FET Pre-Driver with Single Input and Protection Features	POWER IC High-Side Switch
33286	Dual High-Side TMOS Driver (25 mΩ R <sub>DS(ON)</sub> )	30 A Output Current Limit, Overtemperature and Undervoltage Shutdown, and Status Reporting	POWER IC High-Side Switch
33287	Contact Monitoring and Dual Low-Side Protected Switch	8x Voltage Sense Inputs with Thresholds Ratiometric to V <sub>BAT</sub> for Ground or V <sub>BAT</sub> Sensing	SAFETY/SENSORS Contact Monitor
33289	Dual High-Side Switch for Inductive Loads (30 mΩ R <sub>DS(ON)</sub> )	Independent Overcurrent, Over- and Undervoltage Shutdown, Overtemperature Shutdown, and Diagnostics	POWER IC High-Side Switch
33290	Serial ISO-9141 K-Line Interface	Bi-Directional Half-Duplex Communication to 50 kB/s, Bus Shorts and Overtemperature Protection	COMMUNICATION ISO-9141
33385	Quad Low-Side Switch (250 mΩ R <sub>DS(ON)</sub> )	Fully Protected Switches with Parallel Control, Independent SPI Diagnostics Reporting	POWER MANAGEMENT Switching Regulator
33388	Fault Tolerant CAN Interface	Low-Speed CAN with Automatic Single Wire Fault Mode, Bus Activity Wake-Up with Inhibit Output	COMMUNICATION CAN
33389	System Basis Chip with Low-Speed CAN	Protected Dual Regulator, Window Watchdog, Reset, Interrupt, Wake-Ups, SPI, CAN Transceiver	POWER MANAGEMENT Linear Regulator
33390	Serial Link ISO-9141 Bus Transceiver	Single-Wire Communication using VPW Modulation to 20 kB/s, Waveshaping, and Current Limited Bus Driver	COMMUNICATION ISO-9141
33393	MUX Stepper Motor Controller	68HC05 CPU Core, RAM, ROM, EEPROM, Oscillator, Regulator, POR, 2x H-Bridge, Stall Detect, Bus Interface	POWER MANAGEMENT Stepper Control
33394	Multiple Output Power Supply	Step-Up/Down Pre-Regulator, 8x Voltage Outputs, SPI, High-Speed CAN Transceiver with Wake-Up Function	POWER MANAGEMENT Switching Regulator
33395	Three-Phase Bridge Pre-Driver	3-Channel High-Side / Low-Side External MOSFET Driver with Fault Reporting and Mode Select	POWER IC H-Bridge
33399	Local Interconnect Network LIN - Physical Layer	LIN Transceiver with Wake and Enable Inputs, Inhibit Output	COMMUNICATION LIN
33486	Dual High-Side Switch for H-Bridge	Protected, 40 mΩ, Up to 10 A, Outputs to Control Two External FETs for H-Bridge, Load Current Feedback	POWER IC H-Bridge
33689	System Base Chip with LIN Transceiver	2x Voltage Outputs + 2x High-Side Switches, Fully Protected, Pre-Warning, Window Watchdog, SPI	POWER MANAGEMENT Linear Regulator
33701	Microprocessor Power Supply (1.5 A)	Adjustable Synchronous and Linear Regulators, Voltage Margining, Adjustable PWM Frequency, Resets	POWER MANAGEMENT Switching Regulator
33702	Microprocessor Power Supply (3.0 A)	Adjustable Synchronous and Linear Regulators, Voltage Margining, Adjustable PWM Frequency, Resets	POWER MANAGEMENT Switching Regulator
33703	Microprocessor Power Supply (10 A)	Adjustable Synchronous and Linear Regulators, Voltage Margining, Adjustable PWM Frequency, Resets	POWER MANAGEMENT Switching Regulator
33790	2-Channel DSI Physical Interface for Bus Masters	Dual Current-Limited and Waveshaped Outputs, Current Sensing Inputs, 3.3 V and 5.0 V	COMMUNICATION Distributed System
33793	DSI Slave for Remote Sensing	4-Channel, 8-Bit A-to-D, 5.0 V Regulated Output, DSI Bus, Configurable I/O, Fault Tolerant, High-Drive Output	COMMUNICATION Distributed System
33794	Electric Field Imaging Device	Non-Contact, Low-Level Electric Field Sensing, Nine Electrodes, ISO-9141 Interface, Direct Interfacing to MCU	SAFETY/SENSORS Object Sensor
33880	(0.55 Ω R <sub>DS(ON)</sub> ) Configurable Eight Output Switch with SPI	Fully Protected, Low-Side / High-Side Configurable, Diagnostics, OFF Open Load Detect	POWER IC Configurable Switch
33882	Six Output Switch (0.3 Ω R <sub>DS(ON)</sub> ) with SPI and Parallel Input Control	Fully Protected, 6x 1.0 A (SPI and Parallel Control) + 2x 30 mA (Parallel Control) Switches, SPI Diagnostics	POWER IC Low-Side Switch
33883	H-Bridge Pre-Driver	Drives Four External N-Channel FETs, 4x Parallel Input Control, Fast PWM, "Global" Enable	POWER IC Pre-Driver (TMOS)
33884	Switch Monitor Interface	12 Sense Inputs (6x GND, 2x V <sub>BAT</sub> , 4x Configurable), SPI Wetting Current, Status Change Interrupt/Wake-Up	SPECIAL FUNCTION
33886	5.2 A H-Bridge	Supports Forward, Reverse, Freewheeling, 10 kHz PWM, Status, Disable Inputs	POWER IC H-Bridge
33887	5.2 A H-Bridge	Supports Forward, Reverse, Freewheeling, 10 kHz PWM, Status, Disable Inputs, Load Current Feedback	POWER IC H-Bridge
33889	System Basis Chip with Low-Speed Fault Tolerant CAN	2x Regulator, High-Side Switched Power, LS CAN, SPI, Wake-Up Inputs, Window Watchdog, Reset, Interrupt	POWER MANAGEMENT Linear Regulator
33895	Quad H-Bridge with LIN Transceiver	4x 400 mΩ H-Bridges, Load Current Feedback, Diagnostics	POWER IC H-Bridge
33897	Single Wire CAN Transceiver	Carrier Sense Multiple Access/Collision Resolution (CSMA/CR) Data Link, Bus Activity Sleep/Wake-Up	COMMUNICATION SWCAN
33989	System Basis Chip with High-Speed CAN	2x Regulator, High-Side Switched Power, SPI, Wake-Up Inputs, Window Watchdog, Interrupt, CAN Transceiver	POWER MANAGEMENT Linear Regulator
33990	Serial Link J-1850 Bus Transceiver	J-1850 Multiplexing Bus with Enhanced Ground Loss Protection	COMMUNICATION J-1850
33993	Switch Monitor Interface	Programmable Sensors: 4x V <sub>BAT</sub> and GND, 6x GND, 2x V <sub>BAT</sub> , Programmable Wetting Current, Reset, Interrupt	SPECIAL FUNCTION Contact Monitor
33997	3.3/5.0 V Switching Power Supply	5.0 V Sensorless Current Mode Buck + 3.3 V Linear Regulator, 3.3 V Standby, Reset and Power-ON Reset	POWER MANAGEMENT Switching Regulator
33998	2.6/5.0 V Switching Power Supply	5.0 V Sensorless Current Mode Buck + 2.6 V Linear Regulator, 2.6 V Standby, Reset and Power-ON Reset	POWER MANAGEMENT Switching Regulator

 SUNSTAR自动化 <http://www.sensor-ic.com/> TEL: 0755-83376489 FAX: 0755-83376182 E-MAIL: szss20@163.com



### STATIC LOAD CONTROL GENERIC SYSTEM DIAGRAM

Static load control is the function of fully or partially powering-up the elements of a relatively constant load.

#### TYPICAL APPLICATIONS:

- Security Systems
- HVAC
- Water Heaters
- Charging Systems
- Lighting Displays
- Score Boards
- Irrigation Controls
- Programmable Thermostats
- Gaming Machines (Casino/Arcade)
- Industrial Controls
- Large Building Automation
- White Goods Appliances
- Automotive Body Electronics
- Automotive Safety Systems

#### LOOP CONTROL

##### SCHEMA:

- Current
- Voltage
- Sensor Feedback
- Limit Switch ("Bang-Bang")
- None (Open Loop)

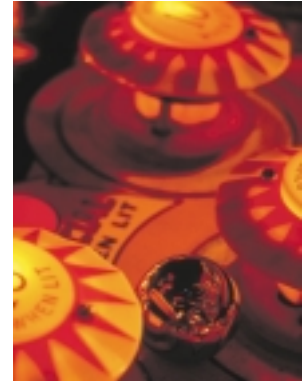
#### POWER CONTROL

##### SCHEMA:

- ON/OFF
- PWM
- PFM
- Linear
- Phase Angle

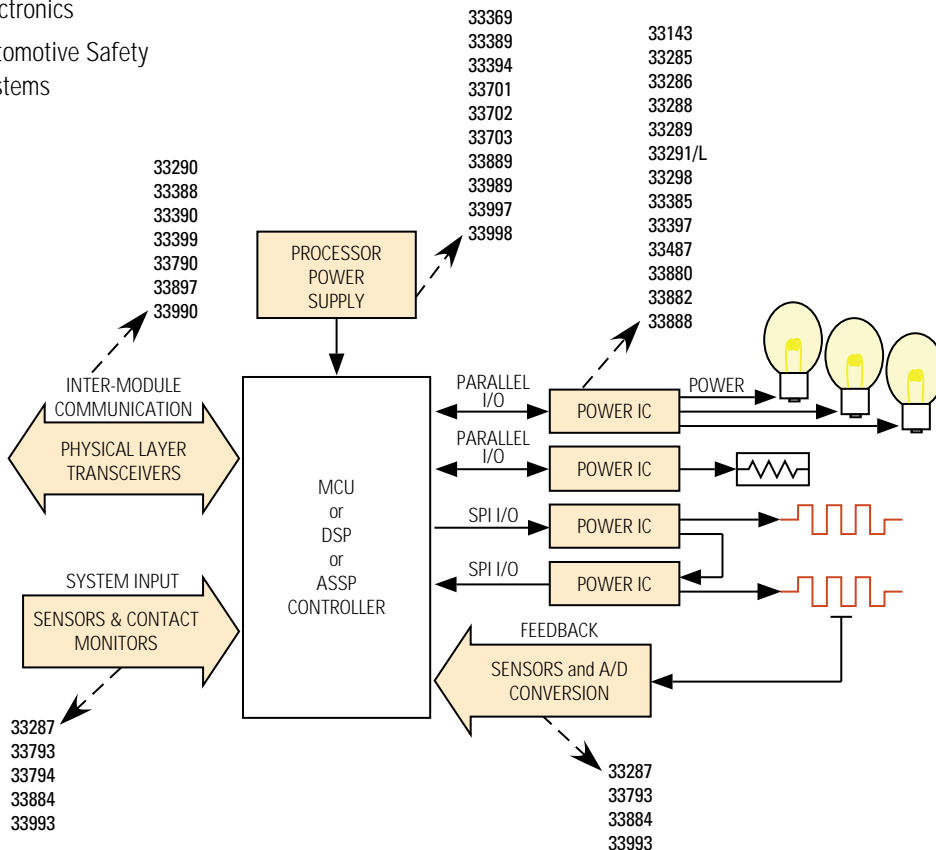
#### STATIC LOAD TYPES:

- Incandescent Lamps
- Heating Elements
- Leds/Lasers
- Ultrasonic Transducers
- Piezo Transducers
- Induction Coils
- Sirens/Horns/Bells



#### CONSIDER:

- MC68HC08
- MC68HC12
- DSP56800
- MPC555



**STATIC LOAD CONTROL GENERIC SYSTEM DEVICES**

SUNSTAR自动化控制 <http://www.sensor-ic.com/> TEL: 0755-83376489 FAX: 0755-83376182 E-MAIL: szss20@163.com

Motorola Part Number	Description	Main Characteristic	Portfolio Category
33143	Dual High-Side Switch (140 mΩ R <sub>DS(ON)</sub> )	1.0 A Switch, Status Flag, Interrupt Out, Chip Enable, Independent Protection Features	POWER IC High-Side Switch
33285	Dual High-Side TMOS Driver	Dual FET Pre-Driver with Single Input and Protection Features	POWER IC High-Side Switch
33286	Dual High-Side Switch (25 mΩ R <sub>DS(ON)</sub> )	30 A Output Current Limit, Overtemperature and Under-voltage Shutdown, and Status Reporting	POWER IC High-Side Switch
33287	Contact Monitoring and Dual Low-Side Protected Switch	8x Voltage Sense Inputs with Thresholds Ratiometric to V <sub>BAT</sub> for Ground or V <sub>BAT</sub> Sensing	SAFETY/SENSORS Contact Monitor
33288	Dual High-Side Switch (20 mΩ R <sub>DS(ON)</sub> )	2x Fully Protected Switch, Independent Parallel Control, Load Current Feedback, Status Flag, Open Load Detect	POWER IC High-Side Switch
33289	Dual High-Side Switch for Inductive Loads (30 mΩ R <sub>DS(ON)</sub> )	Independent Overcurrent, Over- and Undervoltage Shutdown, Overtemperature Shutdown, Diagnostics	POWER IC High-Side Switch
33290	Serial ISO-9141 K-Line Interface	Bidirectional Half-Duplex Communication to 50 kB/s, Bus Shorts and Overtemperature Protection	COMMUNICATION ISO-9141
33291/L	(0.6 Ω R <sub>DS(ON)</sub> ) / 33291L (1.2 Ω R <sub>DS(ON)</sub> ) Eight Output Switch with SPI	Fully Protected Independent Switches, SPI, Specific Diagnostics, OFF Open Load Detect, Outputs Clamped	POWER IC Low-Side Switch
33298	(0.4 Ω R <sub>DS(ON)</sub> ) Eight Output Switch with SPI	Fully Protected Independent Switches, SPI, Specific Diagnostics, OFF Open Load Detect, Outputs Clamped	POWER IC Low-Side Switch
33385	Quad Low-Side Switch (250 mΩ R <sub>DS(ON)</sub> )	Fully Protected Independent Switches, SPI, Specific Diagnostics, OFF Open Load Detect, Outputs Clamped	POWER IC Low-Side Switch
33388	Fault Tolerant CAN Interface	Low-Speed CAN with Automatic Single Wire Fault Mode, Bus Activity Wake-Up with Inhibit Output	COMMUNICATION CAN
33389	System Basis Chip with LIN Transceiver	Protected Dual Regulator, Window Watchdog, Reset, Interrupt, Wake-Ups, SPI, CAN Transceiver	POWER MANAGEMENT Linear Regulator
33390	Serial Transceiver J-1850 Bus Transceiver	Single-Wire Communication using VPW Modulation to 20 kB/s, Waveshaping, and Current Limited Bus Driver	COMMUNICATION J-1850
33394	Multi-Output Power Supply	Step-Up/Down Pre-Regulator, 8x Voltage Outputs, SPI, High-Speed CAN Transceiver with Wake-Up Function	POWER MANAGEMENT Switching Regulator
33397	Configurable Output Switch (0.7 Ω R <sub>DS(ON)</sub> ) with SPI and Parallel Input Control	Configurable as 2x 0.35 Ω or 6x 0.7 Ω Open Drains, Protected, Diagnostics, OFF/ON Open Load Detect	POWER IC Configurable Switch
33399	Local Interconnect Network LIN Physical Layer	LIN Transceiver with Wake and Enable Inputs, Inhibit Output	COMMUNICATION LIN
33487	Dual Channel High-Side Switch (17 mΩ R <sub>DS(ON)</sub> )	2x Independent and Fully Protected, Parallel Control, Load Current Feedback, Status Flags, Open Load Detect	POWER IC High-Side Switch
33689	System Base Chip with LIN Transceiver	2x Voltage Outputs + 2x High-Side Switches, Fully Protected, Pre-Warning, Window Watchdog, SPI	POWER MANAGEMENT Linear Regulator
33701	Microprocessor Power Supply (1.5 A)	Adjustable Synchronous and Linear Regulators, Voltage Margining, Adjustable PWM Frequency, Resets	POWER MANAGEMENT Switching Regulator
33702	Microprocessor Power Supply (3.0 A)	Adjustable Synchronous and Linear Regulators, Voltage Margining, Adjustable PWM Frequency, Resets	POWER MANAGEMENT Switching Regulator
33703	Microprocessor Power Supply (10 A)	Adjustable Synchronous and Linear Regulators, Voltage Margining, Adjustable PWM Frequency, Resets	POWER MANAGEMENT Switching Regulator
33790	2-Channel DSI Physical Interface for Bus Masters	Dual Current-Limited and Waveshaped Outputs, Current Sensing Inputs, 3.3 V and 5.0 V	COMMUNICATION Distributed System
33793	DSI Slave for Remote Sensing	4-Channel, 8-Bit A-to-D, 5.0 V Regulated Output, DSI Bus, Configurable I/O, Fault Tolerant, High Drive Output	COMMUNICATION Distributed System
33794	Electric Field Imaging Device	Non-Contact, Low Level Electric Field Sensing, Drives 9 Electrodes, ISO-9141 Interface, Direct Interfacing to MCU	SAFETY/SENSORS Object Sensor
33880	(0.55 Ω R <sub>DS(ON)</sub> ) Configurable Eight Output Switch with SPI	Fully Protected, Low-Side/High-Side Configurable, Diagnostics, OFF Open Load Detect	POWER IC Configurable Switch
33882	Six-Output Switch (0.3 mΩ R <sub>DS(ON)</sub> ) with Parallel Input Control	Fully Protect, 6x 1.0 A (SPI and Parallel Control) + 2x 30 mA (Parallel Control) Switches, SPI Diagnostics	POWER IC Low-Side Switch
33884	Switch Monitor Interface	Twelve Sense Inputs (6x GND, 2x V <sub>BAT</sub> , 4x Configurable), SPI Wetting Current, Status Change Interrupt/Wake-Up	SPECIAL FUNCTION Contact Monitor
33888	Quad High-Side Switch and Octal Low-Side Switch	4x HS (Parallel Control) + 8x LS (SPI Control), HSS Load Current Feedback, Fully Protected Diagnostics	POWER IC Low-/High-Side Switch
33889	System Basis Chip (SBC) with Low-Speed Fault Tolerant CAN	2x Regulator, High-Side Switched Power, LS CAN, SPI, Wake-Up Inputs, Window Watchdog, Reset, Interrupt	POWER MANAGEMENT Linear Regulator
33897	Single-Wire CAN Transceiver	Carrier Sense Multiple Access/Collision Resolution (CSMA/CR) Data Link, Bus Activity Sleep/Wake-Up	COMMUNICATION SWCAN
33989	System Basis Chip with High-Speed CAN	2x Regulator, High-Side Switched Power, SPI, Wake-Up Inputs, Window Watchdog, Interrupt, CAN Transceiver	POWER MANAGEMENT Linear Regulator
33990	Serial Link J-1850 Bus Transceiver	J-1850 Multiplexing Bus with Enhanced Ground Loss Protection	COMMUNICATION J-1850
33993	Switch Monitor Interface	Programmable Sensors: 4x V <sub>BAT</sub> and GND, 6x GND, 2x V <sub>BAT</sub> , Programmable Wetting Current, Reset Interrupt	SPECIAL FUNCTION Contact Monitor
33997	3.3/5.0 V Switching Power Supply	5.0 V Sensorless Current Mode Buck + 3.3 V Linear Regulator, 3.3 V Standby, Reset and Power-ON Reset	POWER MANAGEMENT Switching Regulator
33998	2.6/5.0 V Switching Power Supply	5.0 V Sensorless Current Mode Buck + 2.6 V Linear Regulator, 2.6 V Standby, Reset and Power-ON Reset	POWER MANAGEMENT Switching Regulator

### EMBEDDED POWER GENERIC SYSTEM DIAGRAM

Embedded power regulation is the function of converting system input power to the voltages and currents required by the MCU or DSP.

#### TYPICAL APPLICATIONS:

- Industrial Controls
- Consumer Appliances
- Marine Electronics
- Engine/Generator Control
- Network Equipment
- Set-Top Box
- Embedded Control Modules

#### LOOP CONTROL SCHEMA:

- Current Mode Feedback
- Voltage Mode Feedback

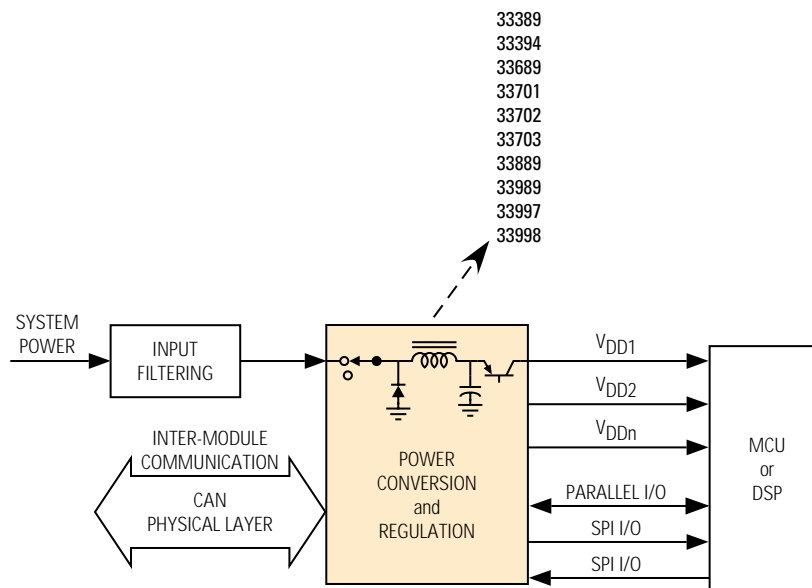
#### POWER CONTROL SCHEMA:

- Linear Regulators
- Switching Regulators



#### CONSIDER:

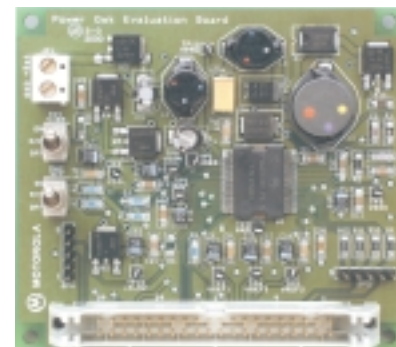
- MC68HC08
- MC68HC12
- DSP56800
- MPC8200
- MPC555





## EMBEDDED POWER SUPPLY SYSTEM DEVICES

Motorola Part Number	Description	Main Characteristic	Portfolio Category
33389	System Basis Chip with Low-Speed CAN	Protected Dual Regulator, Window Watchdog, Reset, Interrupt, Wake-Ups, SPI, CAN Transceiver	POWER MANAGEMENT Linear Regulator
33394	Multiple Output Power Supply	Step-Up/Down Pre-Regulator, 8x Voltage Outputs, SPI, High-Speed CAN Transceiver with Wake-Up Function	POWER MANAGEMENT Switching Regulator
33689	System Base Chip with LIN Transceiver	2x Voltage Outputs + 2x High-Side Switches, Fully Protected, Pre-Warning, Window Watchdog, SPI	POWER MANAGEMENT Linear Regulator
33701	Microprocessor Power Supply (1.5 A)	Adjustable Synchronous and Linear Regulators, Voltage Margining, Adjustable PWM Frequency, Resets	POWER MANAGEMENT Switching Regulator
33702	Microprocessor Power Supply (3.0 A)	Adjustable Synchronous and Linear Regulators, Voltage Margining, Adjustable PWM Frequency, Resets	POWER MANAGEMENT Switching Regulator
33703	Microprocessor Power Supply (10 A)	Adjustable Synchronous and Linear Regulators, Voltage Margining, Adjustable PWM Frequency, Resets	POWER MANAGEMENT Switching Regulator
33889	System Basis Chip with Low-Speed Fault Tolerant CAN	2x Regulator, High-Side Switched Power, LS CAN, SPI, Wake-Up Inputs, Window Watchdog, Reset, Interrupt	POWER MANAGEMENT Linear Regulator
33989	System Basis Chip with High-Speed CAN	2x Regulator, High-Side Switched Power, SPI, Wake-Up Inputs, Window Watchdog, Interrupt, CAN Transceiver	POWER MANAGEMENT Linear Regulator
33997	3.3/5.0 V Switching Power Supply	5.0 V Sensorless Current Mode Buck + 3.3 V Linear Regulator, 3.3 V Standby, Reset and Power-ON Reset	POWER MANAGEMENT Switching Regulator
33998	2.6/5.0 V Switching Power Supply	5.0 V Sensorless Current Mode Buck + 2.6 V Linear Regulator, 2.6 V Standby, Reset and Power-ON Reset	POWER MANAGEMENT Switching Regulator



*Controlling*

*Protecting*

*Communicating*

## WIRED COMMUNICATION GENERIC SYSTEM DIAGRAM

Wired communication provides information between two or more devices in a system.

### TYPICAL APPLICATIONS:

- Aircraft Systems
- Antenna Controllers
- Appliances
- Automotive Body Electronics
- Automotive Safety Systems
- Conveyors
- Elevators
- Gaming Machines
- Heating & Cooling
- Irrigation Control
- Lighting
- Machinery / Robotics
- Score Boards
- Security Boards
- Security Systems
- Vending Machines
- Watercraft Systems
- Water Heaters

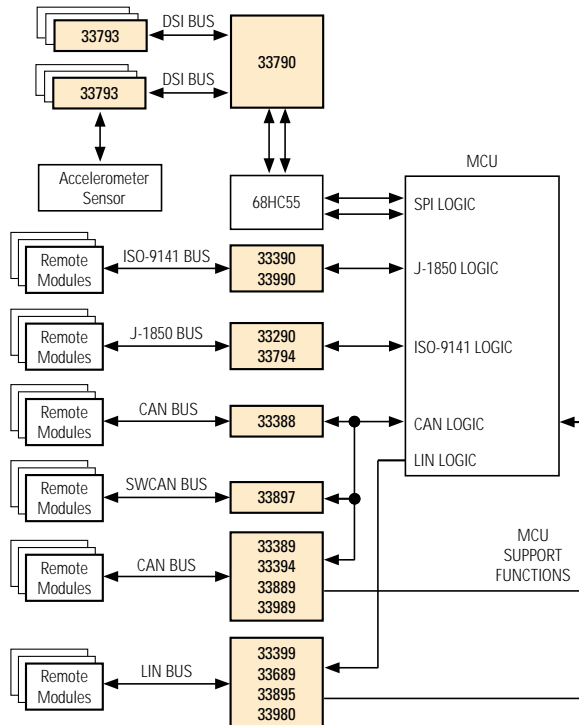


### CONSIDER:

- MC68HC08
- MC68HC12
- DSP56800E
- MCF5272
- MCF5407

### COMMUNICATIONS SCHEMA:

- Bi-Directional
- Combined Power and Signaling
- Error Detection
- Fault Tolerant
- Full / Half Duplex
- Hi / Med / Low Speed
- Predictive
- Single Ended / Differential
- Single / Multi Master
- Single / Multi Slave
- Timing Critical
- Voltage / Current Signaling



## WIRED COMMUNICATION SYSTEM DEVICES

Motorola Part Number	Description	Main Characteristic	Portfolio Category
33290	Serial ISO-9141 K-Line Interface	Bidirectional Half-Duplex Communication to 50 kB/s, Bus Shorts and Overtemperature Protection	COMMUNICATION ISO-9141
33388	Fault Tolerant CAN Interface	Low-Speed CAN with Automatic Single Wire Fault Mode Bus Activity Wake-Up with Inhibit Output	COMMUNICATION CAN
33389	System Basis Chip	Protected Dual Regulator, Window Watchdog, Reset, Interrupt, Wake-Ups, SPI, CAN Transceiver	POWER MANAGEMENT Linear Regulator
33390	Serial Link J-1850 Bus Transceiver	Single-Wire Communication using VPW Modulation to 20 kB/s, Waveshaping, and Current Limited Bus Driver	COMMUNICATION J-1850
33394	Multi-Output Power Supply	Step-Up/Down Pre-Regulator, 8x Voltage Outputs, SPI, High-Speed CAN Transceiver with Wake-Up Function	POWER MANAGEMENT Switching Regulator
33399	Local Interconnect Network LIN - Physical Layer	LIN Transceiver with Wake and Enable Inputs, Inhibit Output	COMMUNICATION LIN
33689	System Base Chip with LIN Transceiver	2x Voltage Outputs = 2x High-Side Switches, Fully Protected, Pre-Warning, Window Watchdog, SPI	POWER MANAGEMENT Linear Regulator
33790	2-Channel DSI Physical Interface for Bus Masters	Dual Current-Limited and Waveshaped Outputs, Current Sensing Inputs, 3.3 V and 5.0 V	COMMUNICATION Distributed System
33793	DSI Slave for Remote Sensing	4-Channel, 8-Bit A-to-D, 5.0 V Regulated Output, DSI Bus, Configurable I/O, Fault Tolerant, High Drive Output	COMMUNICATION Distributed System
33794	Electric Field Imaging Device	Non-Contact, Low Level Electric Field Sensing, 9 Electrodes, ISO-9141 Interface, Direct Interfacing to MCU	SAFETY/SENSORS Object Sensor
33889	System Basis Chip (SBC) with Low-Speed Fault Tolerant CAN	2x Regulator, High-Side Switched Power, LS CAN, SPI, Wake-Up Inputs, Window Watchdog, Reset, Interrupt	POWER MANAGEMENT Linear Regulator
33895	Quad Half-Bridge with LIN Transceiver	4x 400 mΩ Half-Bridges, Load Current Feedback, Diagnostics	POWER IC H-Bridge
33897	Single-Wire CAN Transceiver	Carrier Sense Multiple Access/Collision Resolution (CSMA/CR) Data Link, Bus Activity Sleep/Wake-Up	COMMUNICATION SWCAN
33989	System Basis Chip with High-Speed CAN	2x Regulator, High-Side Switched Power, SPI, Wake-Up Inputs, Window Watchdog, Interrupt, CAN Transceiver	POWER MANAGEMENT Linear Regulator
33990	Serial Link J-1850 Bus Transceiver	J-1850 Multiplexing Bus with Enhanced Ground Loss Protection	COMMUNICATION J-1850

*Controlling*  
*Protecting*  
*Communicating*



**How to reach us:**

**USA/EUROPE/Locations Not Listed:** Motorola Literature Distribution;  
P.O. Box 5405, Denver, Colorado 80217  
1-303-675-2140 or 1-800-441-2447

**JAPAN:** Motorola Japan Ltd.: SPS, Technical Information Center,  
3-20-1, Minami-Azabu, Minato-ku, Tokyo 106-8573 Japan  
81-3-3440-3569

**ASIA/PACIFIC:** Motorola Semiconductors H.K. Ltd.: Silicon Harbour Centre,  
2 Dai King Street, Tai Po Industrial Estate, Tai Po, N.T., Hong Kong  
852-26668334

**Technical Information Center:** 1-800-521-6274

**HOME PAGE:** <http://motorola.com/semiconductors>



MOTOROLA and the Stylized M Logo are registered in the U.S. Patent & Trademark Office.  
All other product or service names are the property of their respective owners.  
© Motorola, Inc. 2002

BR1569/D  
Rev. 1

**SUNSTAR 商斯达实业集团**是集研发、生产、工程、销售、代理经销、技术咨询、信息服务等为一体的高科技企业，是专业高科技电子产品生产厂家，是具有 10 多年历史的专业电子元器件供应商，是中国最早和最大的仓储式连锁规模经营大型综合电子零部件代理分销商之一，是一家专业代理和分销世界各大品牌 IC 芯片和电子元器件的连锁经营综合性国际公司，专业经营进口、国产名厂名牌电子元件，型号、种类齐全。在香港、北京、深圳、上海、西安、成都等全国主要电子市场设有直属分公司和产品展示展销窗口门市部专卖店及代理分销商，已在全国范围内建成强大统一的供货和代理分销网络。我们专业代理经销、开发生产电子元器件、集成电路、传感器、微波光电元器件、工控机/DOC/DOM 电子盘、专用电路、单片机开发、MCU/DSP/ARM/FPGA 软件硬件、二极管、三极管、模块等，是您可靠的一站式现货配套供应商、方案提供商、部件功能模块开发配套商。商斯达实业公司拥有庞大的资料库，有数位毕业于著名高校——有中国电子工业摇篮之称的西安电子科技大学（西军电）并长期从事国防尖端科技研究的高级工程师为您精挑细选、量身订做各种高科技电子元器件，并解决各种技术问题。

更多产品请看本公司产品专用销售网站：

商斯达中国传感器科技信息网：<http://www.sensor-ic.com/>

商斯达工控安防网：<http://www.pc-ps.net/>

商斯达电子元器件网：<http://www.sunstare.com/>

商斯达微波光电产品网：[HTTP://www.rfoe.net/](http://www.rfoe.net/)

商斯达消费电子产品网：<http://www.icasic.com/>

商斯达实业科技产品网：<http://www.sunstars.cn/>

传感器销售热线：

地址：深圳市福田区福华路福庆街鸿图大厦 1602 室

电话：0755-83370250 83376489 83376549 83607652 83370251 82500323

传真：0755-83376182 (0) 13902971329 MSN: [SUNS8888@hotmail.com](mailto:SUNS8888@hotmail.com)

邮编：518033 E-mail:[szss20@163.com](mailto:szss20@163.com) QQ: 195847376

深圳赛格展销部：深圳华强北路赛格电子市场 2583 号 电话：0755-83665529 25059422

技术支持：0755-83394033 13501568376

欢迎索取免费详细资料、设计指南和光盘；产品凡多，未能尽录，欢迎来电查询。

北京分公司：北京海淀区知春路 132 号中发电子大厦 3097 号

TEL: 010-81159046 82615020 13501189838 FAX: 010-62543996

上海分公司：上海市北京东路 668 号上海赛格电子市场 2B35 号

TEL: 021-28311762 56703037 13701955389 FAX: 021-56703037

西安分公司：西安高新开发区 20 所(中国电子科技集团导航技术研究所)

西安劳动南路 88 号电子商城二楼 D23 号

TEL: 029-81022619 13072977981 FAX:029-88789382