



Isolated, Loop-Powered Voltage-to-Current Converter

1B21

FEATURES

- Wide Input Range: 0-1V to 0-10V**
- High CMV Isolation: 1500V rms**
- Programmable Output Ranges: 4mA to 20mA
0 to 20mA**
- Load Resistance Range: 0 to 1.35kΩ max**
- High Accuracy**
 - Low Offset Tempco: ±300nA/°C**
 - Low Gain Tempco: ±50ppm/°C**
 - Low Nonlinearity: ±0.02%**
 - High CMR: 90dB min**
- Small Package: 0.7" × 2.1" × 0.35"**
- Meets IEEE Std. 472: Transient Protection (SWC)**

APPLICATIONS

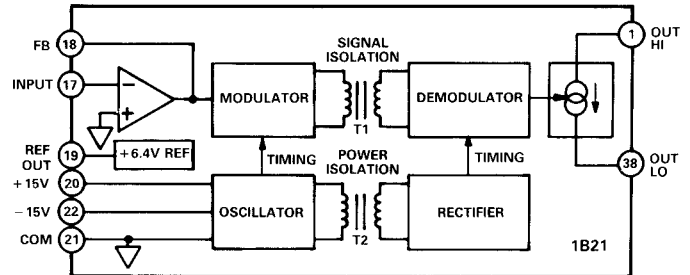
- Multichannel Process Control**
- D/A Converter – Current Loop Interface**
- Analog Transmitters and Controllers**
- Remote Data Acquisition Systems**

GENERAL DESCRIPTION

The 1B21 is an isolated voltage-to-current converter that incorporates a unique circuit design utilizing transformer based isolation and automated surface mount manufacturing technology. It provides an unbeatable combination of versatility and performance in a compact plastic package. Designed for industrial applications, it is especially suited for harsh environments with extremely high common-mode interference.

Functionally, the V/I converter consists of four basic sections: input conditioning, modulator, demodulator and current source (1B21 Functional Block Diagram). The input is a resistor programmable gain stage that accepts a 0-1V to 0-10V voltage input. This maps into a 0 to 20mA output or can be offset by 20% using the internal reference for 4mA to 20mA operation. The high level signal is modulated and passed across the barrier which provides complete input to output galvanic isolation of 1500V rms continuous by the use of transformer coupling techniques. Nonlinearity is an excellent ±0.05% max.

FUNCTIONAL BLOCK DIAGRAM



Designed for multichannel applications, the 1B21 requires an external loop supply and can accept up to 30V max. This would provide a loop compliance of 27V, which is sufficient to drive a 1.35kΩ load resistance.

The 1B21 is fully specified over -25°C to +85°C and operates over the industrial (-40°C to +85°C) temperature range.

DESIGN FEATURES AND USER BENEFITS

High CMV Isolation: The 1B21 features high input to output galvanic isolation to eliminate ground loops and offer protection against damage from transients and fault voltages. The isolation barrier will withstand continuous CMV of 1500V rms and meets the IEEE Standard for Transient Voltage Protection (Std. 472-SWC).

Small Size: The 1B21 package size (0.7" × 2.1" DIP) makes it an excellent choice in multichannel systems for maximum channel density. The 0.35" height also facilitates applications with limited board clearance.

Ease of Use: Complete isolated voltage-to-current conversion with minimum external parts required to get a conditioned current signal. No external buffers or drivers are required.

REV. B

Information furnished by Analog Devices is believed to be accurate and reliable. However, no responsibility is assumed by Analog Devices for its use; nor for any infringements of patents or other rights of third parties which may result from its use. No license is granted by implication or otherwise under any patent or patent rights of Analog Devices.

One Technology Way, P.O. Box 9106, Norwood, MA 02062-9106, U.S.A.
 Tel: 617/329-4700 Fax: 617/326-8703 Twx: 710/394-6577
 Telex: 924491 Cable: ANALOG NORWOODMASS

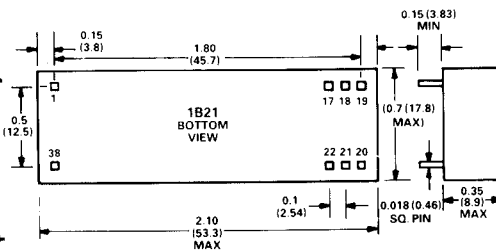
1B21 — SPECIFICATIONS

(typical at +25°C and $V_s = \pm 15V$ unless otherwise noted)
 SUNSTAR 传感与控制 <http://www.sensor-ic.com/> TEL: 0755-83376549 FAX: 0755-83376182 E-MAIL: szss20@163.com

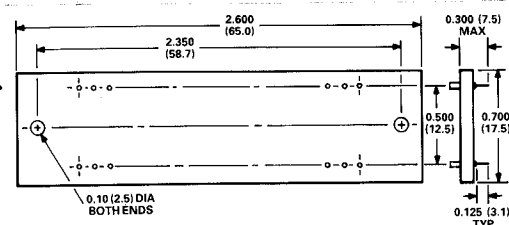
Model	1B21AN
INPUT SPECIFICATIONS	
Input Range	0 to +10V
Full-Scale Input	+1V min to +10V max
Input Bias Current	$\pm 30\text{pA}$ ($\pm 400\text{pA}$ max)
OUTPUT SPECIFICATIONS	
Current Output Range	4mA to 20mA, 0 to 20mA
Load Compliance at $V_{\text{LOOP}} = 30V$	27V min
Max Output Current @ Input Overload	25mA
Output Noise, 100Hz Bandwidth	1 μA p-p
NONLINEARITY (% of Span)	$\pm 0.02\%$ ($\pm 0.05\%$ max)
ISOLATION	
CMV, Input to Output Continuous	1500V rms
CMR, @ 60Hz	90dB min
Transient Protection	IEEE-STD 472 (SWC)
ACCURACY	
Warm-Up Time to Rated Performance	5 min
Total Output Error @ +25°C (Untrimmed)	
Offset ($V_{\text{IN}} = 0V$) ¹	$\pm 100\mu\text{A}$
Span ($V_{\text{IN}} = +10V$)	$\pm 0.6\%$ FSR
vs. Temperature (-25°C to +85°C)	
Offset ²	$\pm 300\text{nA}/^\circ\text{C}$
Span	$\pm 50\text{ppm}/^\circ\text{C}$
REFERENCE OUTPUT	
Voltage	+6.4V dc
Output Error	$\pm 1.5\%$ max
Temperature Coefficient	$\pm 20\text{ppm}/^\circ\text{C}$ max
DYNAMIC RESPONSE	
Settling Time to 0.1% of F.S. for 10V Step	9ms
Small Signal Bandwidth	100Hz
POWER SUPPLY	
Input Side	
Operating Voltage	$\pm 15V \pm 5\%$
Quiescent Current	
+15V Supply	10mA
-15V Supply	5mA
Power Supply Rejection	$\pm 0.01\%/V$
Loop Side	
Operating Voltage	+15V to +30V
Maximum Current	25mA
ENVIRONMENTAL	
Temperature Range	
Rated Performance	-25°C to +85°C
Operating	-40°C to +85°C
Storage	-40°C to +85°C
Relative Humidity, Noncondensing	0 to 95% @ +60°C
CASE SIZE	0.7" × 2.1" × 0.35" (17.8 × 53.3 × 8.9)mm

OUTLINE DIMENSIONS

Dimensions shown in inches and (mm).



AC1060 MATING SOCKET



PIN DESIGNATIONS

PIN	FUNCTION
1	OUT HI
17	IN
18	FB
19	REF
20	+15V
21	COM
22	-15V
38	OUT LOW

NOTES

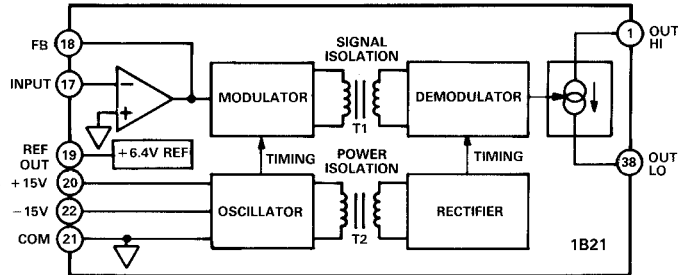
¹For 0-20mA mode. For 4-20mA mode an additional 60 μA is contributed by the $\pm 1.5\%$ reference error on the 4mA output.

²For a complete discussion of the temperature effects of the offset resistor and reference refer to "Using the 1B21" section.

Specifications subject to change without notice.

INSIDE THE 1B21

Referring to the functional block diagram, the ±15V power inputs provide power to both the input side circuitry and the power oscillator. The 25kHz power oscillator provides both the timing information for the signal modulator and drives transformer T2 for the output side power supplies. The secondary winding of T2 is full wave rectified and filtered to create the output side power.



1B21 Functional Block Diagram

The input stage is configured as an inverting amplifier with three user supplied resistors for gain, offset and feedback. The conditioned signal is modulated to generate a square wave with a peak-to-peak amplitude proportional to V_{IN} . This signal drives the signal transformer T1. An internal reference with a nominal output voltage of +6.4V and tempco of ±20ppm/°C is provided to develop a 4mA offset for 4mA to 20mA current loop applications.

After passing through signal transformer T1, the amplitude modulated signal is demodulated and filtered by a single pole filter. Timing information for the output side is derived from the power transformer T2. The filtered output provides the control signal for the voltage-to-current converter stage. An external power supply is required in series with the load to complete the current loop.

USING THE 1B21

Input Configurations: The 1B21 has been designed with a flexible input stage for a variety of input and output ranges. The basic interconnection for setting gain and offset is shown in Figure 1. The output of the internal amplifier is constrained to 0 to -5V, which maps into 0 to 20mA across the isolation barrier. Thus to create a 4mA offset at the output, the input amplifier has to be offset by 1V.

For example, for 0 to 20mA operation the transfer function for the input stage is:

$$5/V_{IN} = R_F/R_I$$

and no offset resistor is needed. For 4mA to 20mA operation we get:

$$4/V_{IN} = R_F/R_I$$

which maps the input voltage into a 4V span. To create a 1V offset at the output of the internal amplifier (4mA at the output of the 1B21) a current derived from the reference can be fed into the summing node. The offset resistor (for a 1V output offset) will be given by the equation: $R_O = 6.4R_F$. For most applications it is recommended that R_F be in the $25k\Omega \pm 20\%$ range. Resistor values for typical input and output ranges are shown in Table I.

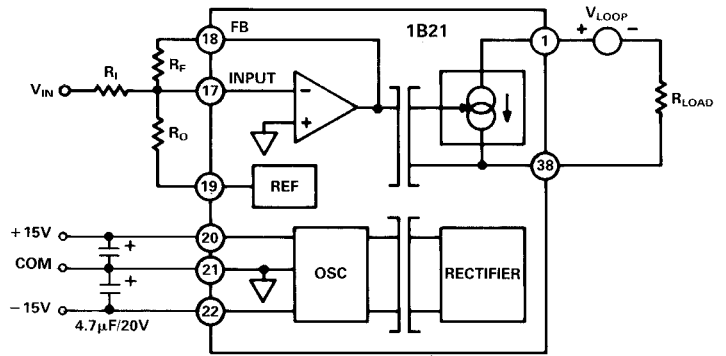


Figure 1. Basic Interconnections

Input Volts	Output mA	R _I kΩ	R _F kΩ	R _O kΩ
0-5	0-20	25	25	Open
0-10	0-20	50	25	Open
0-5	4-20	25	20	128
0-10	4-20	50	20	128
1-5	4-20	25	25	Open

Table I. Resistor Values for Typical Ranges

Adjustments: Figure 2 is an example of using potentiometers for trimming gain and offset for a 0-5V input and 0 to 20mA output. The network for offset adjustment keeps the resistors relatively small to minimize noise effects while giving a sensitivity of ±1% of span. For more adjustment range, resistors smaller than 274k can be used. Resistor values from Table I can be substituted for other input and output ranges.

In general, any bipolar voltage can be input to the 1B21 as long as it is offset to meet the 0 to -5V constraint of the modulator and the input signal range is 1V minimum.

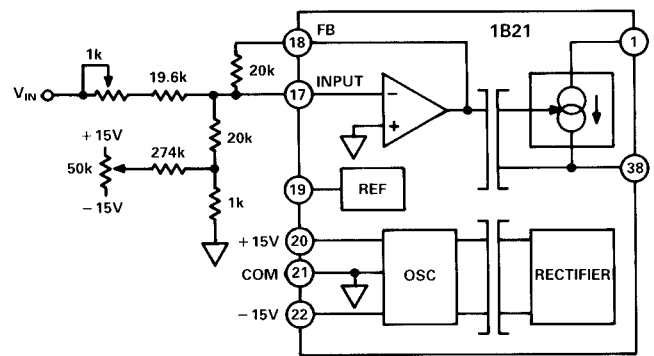


Figure 2. Offset and Span Adjustment

TC Considerations of External Resistors: The specifications for gain and offset temperature coefficient (TC) for the 1B21 exclude the effects of external components. The total gain TC for the circuit in Figure 1 is:

$$\text{Gain TC} = 1B21 \text{ Gain TC} + (\text{Tracking TC of } R_F \text{ and } R_I)$$

The offset TC is also affected by the thermal stability of the internal voltage reference and its contribution is:

$$\text{Ref TC} = (V_{REF})(R_F/R_O)(4mA/V)(\text{TC of } V_{REF} + \text{Tracking TC of } R_F \text{ and } R_O)/1 \times 10^6$$

$$\text{Total Offset TC} = 1B21 \text{ Offset TC} + \text{Ref TC}$$

Specifically using R_F , R_I and R_O from Case 3 in Table I, with absolute TCs of $\pm 25\text{ppm}/^\circ\text{C}$ we get:

$$\text{Gain TC} = 50 + (25 + 25) = 100\text{ppm}/^\circ\text{C}$$

$$\begin{aligned} \text{Offset TC} &= 300 + (6.4V)(20k/128k)(4mA/V)(20 + 25 + 25)/ \\ &= \pm 580nA/^\circ\text{C} \end{aligned}$$

Similarly, when using a resistor network with a tracking spec of $\pm 5\text{ppm}/^\circ\text{C}$, the total gain TC would be $\pm 55\text{ppm}/^\circ\text{C}$ and the total offset TC would be $\pm 400nA/^\circ\text{C}$.

APPLICATIONS

Output Protection: In many industrial applications it may be necessary to protect the current output from accidental shorts to ac line voltages in addition to high common-mode voltages and short circuits to ground. The circuit shown in Figure 3 can be used for this purpose. The maximum permissible load resistance will be lowered by the fuse resistance (typically 8Ω) when protection circuitry is utilized.

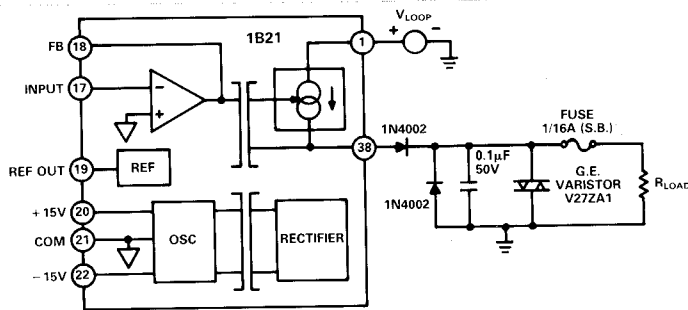


Figure 3. Output Protection Circuitry

Low Drift Input Network: Figure 4 shows a configuration suitable for applications where errors have to be minimized over a wide temperature range. A temperature tracking network such as a 50k Beckman (PN 698-3R50KD) can be used to implement both offset and gain for either 0 to 20mA or 4mA to 20mA current loops. For 0-10V signals either IN1 or IN2 can be used for input. For 0-5V signals, jumper IN1 to IN2. Similarly, for 4mA to 20mA operation the 4mA node should be jumpered to OFFSET, while for 0 to 20mA it should be tied to COM.

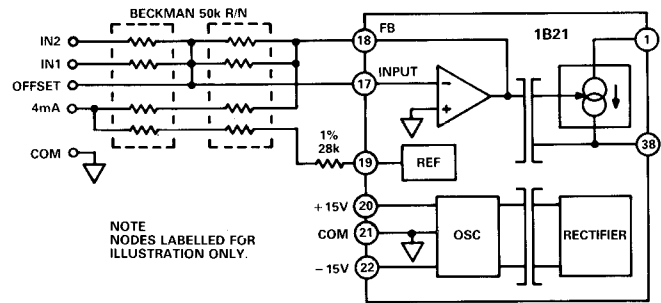


Figure 4. Low Tempco Resistor Network Configuration

Multiloop Isolation: Multiple 1B21s can be connected to a single loop supply in parallel as shown in Figure 5. The amperage of the loop supply should be sufficient to drive all the loops at full-scale output.

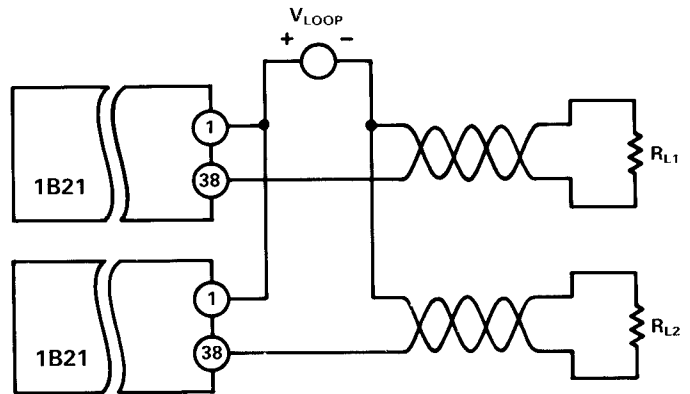


Figure 5. Multiple 1B21s with Single Loop Supply

C1170a-5-6/91

PRINTED IN U.S.A.

SUNSTAR商斯达实业集团是集研发、生产、工程、销售、代理经销、技术咨询、信息服务等为一体的高科技企业，是专业高科技电子产品生产厂家，是具有 10 多年历史的专业电子元器件供应商，是中国最早和最大的仓储式连锁规模经营大型综合电子零部件代理分销商之一，是一家专业代理和分销世界各大品牌 IC 芯片和电子元器件的连锁经营综合性国际公司。在香港、北京、深圳、上海、西安、成都等全国主要电子市场设有直属分公司和产品展示展销窗口门市部专卖店及代理分销商，已在全国范围内建成强大统一的供货和代理分销网络。我们专业代理经销、开发生产电子元器件、集成电路、传感器、微波光电元器件、工控机/DOC/DOM 电子盘、专用电路、单片机开发、MCU/DSP/ARM/FPGA 软件硬件、二极管、三极管、模块等，是您可靠的一站式现货配套供应商、方案提供商、部件功能模块开发配套商。专业以现代信息产业（计算机、通讯及传感器）三大支柱之一的传感器为主营业务，专业经营各类传感器的代理、销售生产、网络信息、科技图书资料及配套产品设计、工程开发。我们的专业网站——中国传感器科技信息网（全球传感器数据库）www.SENSOR-IC.COM 服务于全球高科技生产商及贸易商，为企业科技产品开发提供技术交流平台。欢迎各厂商互通有无、交换信息、交换链接、发布寻求代理信息。欢迎国外高科技传感器、变送器、执行器、自动控制产品厂商介绍产品到中国，共同开拓市场。本网站是关于各种传感器-变送器-仪器仪表及工业自动化大型专业网站，深入到工业控制、系统工程计 测量、自动化、安防报警、消费电子等众多领域，把最新的传感器-变送器-仪器仪表买卖信息，最新技术供求，最新采购商，行业动态，发展方向，最新的技术应用和市场资讯及时的传递给广大科技开发、科学研究、产品设计人员。本网站已成功为石油、化工、电力、医药、生物、航空、航天、国防、能源、冶金、电子、工业、农业、交通、汽车、矿山、煤炭、纺织、信息、通信、IT、安防、环保、印刷、科研、气象、仪器仪表等领域从事科学研究、产品设计、开发、生产制造的科技人员、管理人员、和采购人员提供满意服务。我们公司专业生产、代理、经销、销售各种传感器、变送器、敏感元器件、开关、执行器、仪器仪表、自动化控制系统：专门从事设计、生产、销售各种传感器、变送器、各种测控仪表、热工仪表、现场控制器、计算机控制系统、数据采集系统、各类环境监控系统、专用控制系统应用软件以及嵌入式系统开发及应用等工作。如热敏电阻、压敏电阻、温度传感器、温度变送器、湿度传感器、湿度变送器、气体传感器、气体变送器、压力传感器、压力变送、称重传感器、物（液）位传感器、物（液）位变送器、流量传感器、流量变送器、电流（压）传感器、溶氧传感器、霍尔传感器、图像传感器、超声波传感器、位移传感器、速度传感器、加速度传感器、扭距传感器、红外传感器、紫外传感器、火焰传感器、激光传感器、振动传感器、轴角传感器、光电传感器、接近传感器、干簧管传感器、继电器传感器、微型电泵、磁敏（阻）传感器、压力开关、接近开关、光电开关、色标传感器、光纤传感器、齿轮测速传感器、时间继电器、计数器、计米器、温控仪、固态继电器、调压模块、电磁铁、电压表、电流表等特殊传感器。同时承接传感器应用电路、产品设计和自动化工程项目。

更多产品请看本公司产品专用销售网站：

商斯达中国传感器科技信息网：<http://www.sensor-ic.com/>

商斯达工控安防网：<http://www.pc-ps.net/>

商斯达电子元器件网：<http://www.sunstare.com/>

商斯达微波光电产品网：[HTTP://www.rfoe.net/](http://www.rfoe.net/)

商斯达消费电子产品网：<http://www.icasic.com/>

商斯达军工产品网：<http://www.junpinic.com/>

商斯达实业科技产品网：<http://www.sunstars.cn/> 传感器销售热线：

地址：深圳市福田区福华路福庆街鸿图大厦 1602 室

电话：0755-83607652 83376489 83376549 83370250 83370251 82500323

传真：0755-83376182 (0) 13902971329 MSN: SUNS888@hotmail.com

邮编：518033 E-mail: szss20@163.com QQ: 195847376

深圳赛格展销部：深圳华强北路赛格电子市场 2583 号 电话：0755-83665529 25059422

技术支持：0755-83394033 13501568376

欢迎索取免费详细资料、设计指南和光盘；产品凡多，未能尽录，欢迎来电查询。

北京分公司：北京海淀区知春路 132 号中发电子大厦 3097 号

TEL: 010-81159046 82615020 13501189838 FAX: 010-62543996

上海分公司：上海市北京东路 668 号上海赛格电子市场 D125 号

TEL: 021-28311762 56703037 13701955389 FAX: 021-56703037

西安分公司：西安高新开发区 20 所(中国电子科技集团导航技术研究所)

西安劳动南路 88 号电子商城二楼 D23 号

TEL: 029-81022619 13072977981 FAX:029-88789382