



# Single Supply Bridge Transducer Amplifier

## AD22055

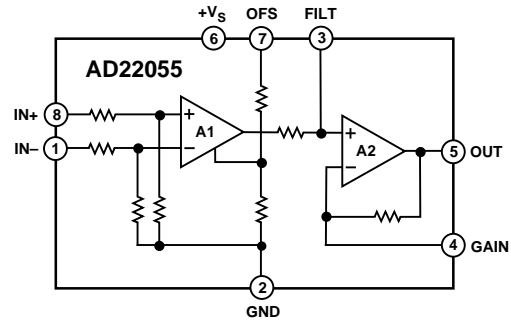
### FEATURES

- Gain of 400. Alterable from 40 to 1000
- Output Span 20 mV to ( $V_S - 0.25$ ) V
- 1 Pole Low-Pass Filtering Available
- Offset Capability
- Differential Input Resistance 230 k $\Omega$
- Drives 1 k $\Omega$  Load to +4 V Using  $V_S = +5$  V
- Supply Voltage: +3 V to +36 V
- Transient Spike Protection and RFI Filters Included
- Peak Input Voltage (40 ms): 60 V
- Reversed Supply Protection: -34 V
- Operating Temperature Range: -40°C to +125°C

### APPLICATIONS

Interface for Pressure Transducers, Position Indicator, Strain Gages and Other Low Level Signal Sources

### FUNCTIONAL BLOCK DIAGRAM



### GENERAL DESCRIPTION

The AD22055 accepts a differential signal from a bridge transducer whose common-mode signal can be anywhere between the power supplies.

The extended temperature range allows for local signal conditioning for oil and hydraulic pressure sensors as well as other automotive sensors.

The use of an external gain resistor allows the user to compensate transducer gain error and temperature drift.

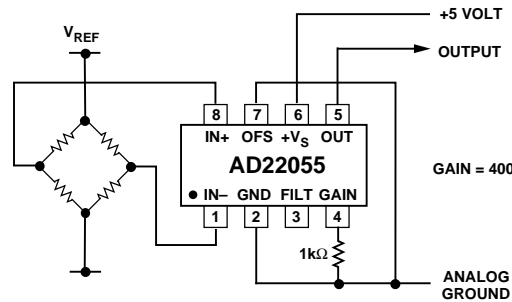


Figure 1. Typical Application Circuit for a Pressure Sensor Interface

### REV. 0

Information furnished by Analog Devices is believed to be accurate and reliable. However, no responsibility is assumed by Analog Devices for its use, nor for any infringements of patents or other rights of third parties which may result from its use. No license is granted by implication or otherwise under any patent or patent rights of Analog Devices.

One Technology Way, P.O. Box 9106, Norwood, MA 02062-9106, U.S.A.  
 Tel: 617/329-4700 World Wide Web Site: <http://www.analog.com>  
 Fax: 617/326-8703 © Analog Devices, Inc., 1997

**AD22055—SPECIFICATIONS** (@  $T_A = +25^\circ\text{C}$ ,  $V_S = +5\text{ V}$ ,  $V_{\text{CM}} = 0$ , unless otherwise noted)

Parameter	Comments	Test Conditions	Min	Typ	Max	Units
INPUTS (PINS 1 AND 8)						
$V_{\text{CM}}$	Common-Mode Range		0		5	V
$\text{CMRR}_{\text{LF}}$	Common-Mode Rejection Ratio	$f \leq 10\text{ Hz}$	<b>-80</b>	<b>-90</b>		dB
$\text{CMRR}_{\text{HF}}$	Common-Mode Rejection Ratio	$f = 10\text{ kHz}$	<b>-60</b>	<b>-75</b>		dB
$R_{\text{INCM}}$	Common-Mode Input Resistance	Pin 1 or Pin 8 to Pin 2	<b>180</b>	<b>230</b>		k $\Omega$
$R_{\text{MATCH}}$	Matching of Input Resistances			$\pm 0.5$		%
$R_{\text{INDIFF}}$	Differential Input Resistance	Pin 1 to Pin 8	180	230	300	k $\Omega$
PREAMPLIFIER						
$G_{\text{CL}}$	Closed-Loop Gain <sup>1</sup>			40		V/V
$V_{\text{O}}$	Output Voltage Range (Pin 3)		+0.02		+4.75	V
$R_{\text{O}}$	Output Resistance <sup>2</sup>		<b>77.6</b>	80	<b>82.4</b>	k $\Omega$
OUTPUT BUFFER						
$G_{\text{CL}}$	Closed-Loop Gain <sup>1</sup>	$R_{\text{LOAD}} \geq 10\text{ k}\Omega$	<b>9.95</b>	10	<b>10.05</b>	V/V
$V_{\text{O}}$	Output Voltage Range		<b>+0.02</b>		<b>+4.75</b>	V
$R_{\text{O}}$	Output Resistance (Pin 5)	$V_{\text{O}} \geq 0.1\text{ V dc}$		2.0		$\Omega$
OVERALL SYSTEM						
$G_{\text{CL}}$	Gain <sup>1</sup>	$V_{\text{O}} \geq 0.1\text{ V dc}$	<b>398</b>	400	<b>402</b>	V/V
	Gain Drift	$-40^\circ\text{C to } +125^\circ\text{C}$		-60		ppm/ $^\circ\text{C}$
	Gain Drift	$-125^\circ\text{C to } +150^\circ\text{C}$		-500		ppm/ $^\circ\text{C}$
$V_{\text{OS}}$	Initial Offset Voltage <sup>3</sup>		-1	0.05	1	mV
	Offset Drift	$-40^\circ\text{C to } +125^\circ\text{C}$		1		$\mu\text{V}/^\circ\text{C}$
	Offset Drift	$-125^\circ\text{C to } +150^\circ\text{C}$		-10		$\mu\text{V}/^\circ\text{C}$
	Input Resistance	Pin 7 to Pin 2	<b>2.5</b>	3.0		k $\Omega$
$I_{\text{OSC}}$	Short-Circuit Output Current		<b>7</b>	11	<b>25</b>	mA
$\text{BW}_{-3\text{ dB}}$	-3 dB Bandwidth	$V_{\text{O}} = +1\text{ V dc}$	20	30		kHz
SR	Slew Rate			0.2		V/ $\mu\text{s}$
$N_{\text{SD}}$	Noise Spectral Density <sup>3</sup>	$f = 100\text{ Hz to } 10\text{ kHz}$		0.2		$\mu\text{V}/\sqrt{\text{Hz}}$
POWER SUPPLY						
$V_{\text{S}}$	Operating Range	$T_A = T_{\text{MIN}} \text{ to } T_{\text{MAX}}$	3	<b>5</b>	36	V
$I_{\text{S}}$	Quiescent Supply Current <sup>4</sup>			200	500	$\mu\text{A}$
TEMPERATURE RANGE						
$T_{\text{OP}}$	Operating Temperature Range		-40		+125	$^\circ\text{C}$

## NOTES

<sup>1</sup>A2 gain is trimmed to  $\pm 0.5\%$  with a 0.01% 1 k $\Omega$  resistor to ground from Pin 4. The overall gain is trimmed to a gain of  $400 \pm 0.5\%$  with the same 1 k $\Omega$  resistor. The gain of A1 (the ratio of overall gain to A2 gain) is used to adjust the overall gain and, therefore, is not trimmed explicitly to 40. Note that the actual gain to a particular application can be modified by the use of an external resistor at Pin 4.

<sup>2</sup>The actual output resistance of A1 is only a few ohms, but access to this output, via Pin 3, is always through an 80 k $\Omega$  resistor, which is trimmed to  $\pm 3\%$ .

<sup>3</sup>Referred to the input (Pins 1 and 8).

<sup>4</sup>With  $V_{\text{DM}} = 0\text{ V}$ . Differential mode signals are referred to as  $V_{\text{DM}}$ , while  $V_{\text{CM}}$  refers to common-mode voltages.

All min and max specifications are guaranteed, although only those marked in **boldface** are tested on all production units at final test.

Specifications subject to change without notice.

**ABSOLUTE MAXIMUM RATINGS<sup>1</sup>**

Supply Voltage	+3 V to +36 V
Peak Input Voltage (40 ms)	60 V
Reversed Continuous Supply Voltage	-34 V
Operating Temperature	-40°C to +125°C
Storage Temperature	-65°C to +150°C
Output Short Circuit Duration	Indefinite
Lead Temperature (Soldering, 60 sec)	+300°C

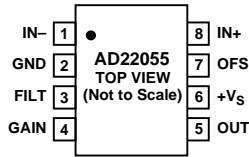
<sup>1</sup>Stresses above those listed under “Absolute Maximum Ratings” may cause permanent damage to the device. This is a stress rating only; the functional operation of the device at these or any other conditions above those indicated in the operation sections of this specification is not implied. Exposure to absolute maximum rating conditions for extended periods may affect device reliability.

**ORDERING GUIDE**

Model	Temperature Range	Package Description	Package Option*
AD22055N	-40°C to +125°C	Plastic DIP	N-8
AD22055R		Plastic SOIC	SO-8

\*N = Plastic DIP; SO = Small Outline Package.

**PIN CONNECTION**



**PIN DESCRIPTION**

8-Pin SOIC	
Pin	Function
1	IN-
2	Ground
3	Filter
4	Gain
5	Out
6	+V <sub>S</sub>
7	OFS
8	IN+

**PRODUCT DESCRIPTION**

The AD22055 is a single supply difference amplifier consisting of a precision balanced attenuator, a very low drift preamplifier and an output buffer amplifier (A1 and A2, respectively, in the functional block diagram). It has been designed so that small differential signals, V<sub>DM</sub>, can be accurately amplified and filtered in the presence of large common-mode voltages, V<sub>CM</sub>, without the use of any other active components.

The common-mode range resistors in this network are trimmed to match better than one part in 10,000. The resistive attenuator network is situated at the input to the AD22055 (Pins 1 and 8) allowing the common-mode voltage at Pins 1 and 8 to be two times greater than that which can be tolerated by the actual input of A1. As a result, the input common-mode range extends from ground to the power supply voltage.

Two small filter capacitors (not shown) have been included at the inputs to A1 to minimize the effects of any spurious RF signals present in the signal.

Internal feedback around A1 sets the closed-loop gain of the preamplifier to 40 V/V from the input pins, and the output of A1 is connected to Pin 3 via a 80 kΩ resistor, which is trimmed to ±3% to facilitate the low-pass filtering of the signal. The output buffer A2 has a gain of 10 V/V (using a precise 1 kΩ resistor from Pin 4 to ground) setting the precalibrated, overall gain of the AD22055, to 400 V/V. This gain is easily user-configurable.

Overall gain is programmed using the following equation:

$$Gain = 40 \left( 1 + \frac{9 \text{ k}\Omega}{R_{GAIN}} \right) V/V \tag{1}$$

The dynamic properties of the AD22055 are optimized for interfacing to transducers, particularly those with a Wheatstone Bridge configuration. Its rejection of large, high frequency, common-mode signals makes it superior to that of many alternative approaches. This is due to the very careful design of the input attenuator and the integration of this highly balanced, high impedance system with the preamplifier.

**CAUTION**

ESD (electrostatic discharge) sensitive device. Electrostatic charges as high as 4000 V readily accumulate on the human body and test equipment and can discharge without detection. Although the AD22055 features proprietary ESD protection circuitry, permanent damage may occur on devices subjected to high energy electrostatic discharges. Therefore, proper ESD precautions are recommended to avoid performance degradation or loss of functionality.

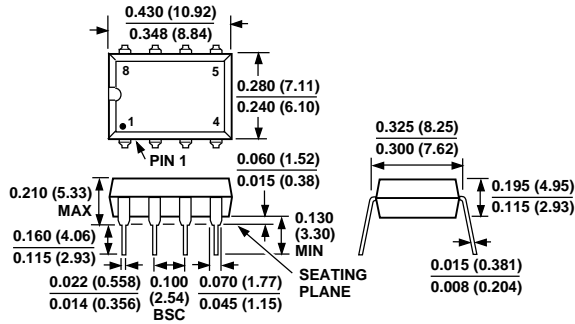


# AD22055

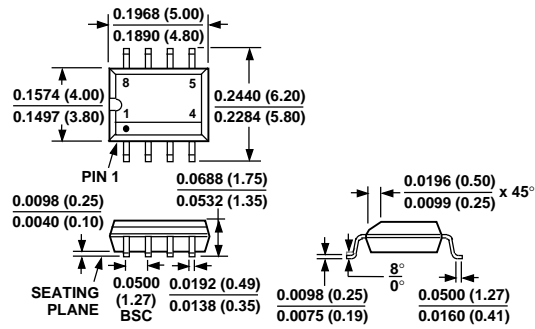
## OUTLINE DIMENSIONS

Dimensions shown in inches and (mm).

### 8-Lead Plastic DIP (N-8)



### 8-Lead Plastic SOIC Package (SO-8)



C2978-12-1/97

PRINTED IN U.S.A.

SUNSTAR商斯达实业集团是集研发、生产、工程、销售、代理经销、技术咨询、信息服务等为一体的高科技企业，是专业高科技电子产品生产厂家，是具有 10 多年历史的专业电子元器件供应商，是中国最早和最大的仓储式连锁规模经营大型综合电子零部件代理分销商之一，是一家专业代理和分销世界各大品牌 IC 芯片和电子元器件的连锁经营综合性国际公司。在香港、北京、深圳、上海、西安、成都等全国主要电子市场设有直属分公司和产品展示展销窗口门市部专卖店及代理分销商，已在全国范围内建成强大统一的供货和代理分销网络。我们专业代理经销、开发生产电子元器件、集成电路、传感器、微波光电元器件、工控机/DOC/DOM 电子盘、专用电路、单片机开发、MCU/DSP/ARM/FPGA 软件硬件、二极管、三极管、模块等，是您可靠的一站式现货配套供应商、方案提供商、部件功能模块开发配套商。专业以现代信息产业（计算机、通讯及传感器）三大支柱之一的传感器为主营业务，专业经营各类传感器的代理、销售生产、网络信息、科技图书资料及配套产品设计、工程开发。我们的专业网站——中国传感器科技信息网（全球传感器数据库）[www.SENSOR-IC.COM](http://www.SENSOR-IC.COM) 服务于全球高科技生产商及贸易商，为企业科技产品开发提供技术交流平台。欢迎各厂商互通有无、交换信息、交换链接、发布寻求代理信息。欢迎国外高科技传感器、变送器、执行器、自动控制产品厂商介绍产品到中国，共同开拓市场。本网站是关于各种传感器-变送器-仪器仪表及工业自动化大型专业网站，深入到工业控制、系统工程计 测量、自动化、安防报警、消费电子等众多领域，把最新的传感器-变送器-仪器仪表买卖信息，最新技术供求，最新采购商，行业动态，发展方向，最新的技术应用和市场资讯及时的传递给广大科技开发、科学研究、产品设计人员。本网站已成功为石油、化工、电力、医药、生物、航空、航天、国防、能源、冶金、电子、工业、农业、交通、汽车、矿山、煤炭、纺织、信息、通信、IT、安防、环保、印刷、科研、气象、仪器仪表等领域从事科学研究、产品设计、开发、生产制造的科技人员、管理人员、和采购人员提供满意服务。我们公司专业生产、代理、经销、销售各种传感器、变送器、敏感元器件、开关、执行器、仪器仪表、自动化控制系统：专门从事设计、生产、销售各种传感器、变送器、各种测控仪表、热工仪表、现场控制器、计算机控制系统、数据采集系统、各类环境监控系统、专用控制系统应用软件以及嵌入式系统开发及应用等工作。如热敏电阻、压敏电阻、温度传感器、温度变送器、湿度传感器、湿度变送器、气体传感器、气体变送器、压力传感器、压力变送、称重传感器、物（液）位传感器、物（液）位变送器、流量传感器、流量变送器、电流（压）传感器、溶氧传感器、霍尔传感器、图像传感器、超声波传感器、位移传感器、速度传感器、加速度传感器、扭距传感器、红外传感器、紫外传感器、火焰传感器、激光传感器、振动传感器、轴角传感器、光电传感器、接近传感器、干簧管传感器、继电器传感器、微型电泵、磁敏（阻）传感器、压力开关、接近开关、光电开关、色标传感器、光纤传感器、齿轮测速传感器、时间继电器、计数器、计米器、温控仪、固态继电器、调压模块、电磁铁、电压表、电流表等特殊传感器。同时承接传感器应用电路、产品设计和自动化工程项目。

更多产品请看本公司产品专用销售网站：

商斯达中国传感器科技信息网：<http://www.sensor-ic.com/>

商斯达工控安防网：<http://www.pc-ps.net/>

商斯达电子元器件网：<http://www.sunstare.com/>

商斯达微波光电产品网：[HTTP://www.rfoe.net/](http://www.rfoe.net/)

商斯达消费电子产品网：<http://www.icasic.com/>

商斯达军工产品网：<http://www.junpinic.com/>

商斯达实业科技产品网：<http://www.sunstars.cn/> 传感器销售热线：

地址：深圳市福田区福华路福庆街鸿图大厦 1602 室

电话：0755-83607652 83376489 83376549 83370250 83370251 82500323

传真：0755-83376182 (0) 13902971329 MSN: [SUNS888@hotmail.com](mailto:SUNS888@hotmail.com)

邮编：518033 E-mail: [szss20@163.com](mailto:szss20@163.com) QQ: 195847376

深圳赛格展销部：深圳华强北路赛格电子市场 2583 号 电话：0755-83665529 25059422

技术支持：0755-83394033 13501568376

欢迎索取免费详细资料、设计指南和光盘；产品凡多，未能尽录，欢迎来电查询。

北京分公司：北京海淀区知春路 132 号中发电子大厦 3097 号

TEL: 010-81159046 82615020 13501189838 FAX: 010-62543996

上海分公司：上海市北京东路 668 号上海赛格电子市场 D125 号

TEL: 021-28311762 56703037 13701955389 FAX: 021-56703037

西安分公司：西安高新开发区 20 所(中国电子科技集团导航技术研究所)

西安劳动南路 88 号电子商城二楼 D23 号

TEL: 029-81022619 13072977981 FAX:029-88789382