

---

## MSM7557

---

### Single Chip MSK Modem with Compandor for Cordless Telephone

---

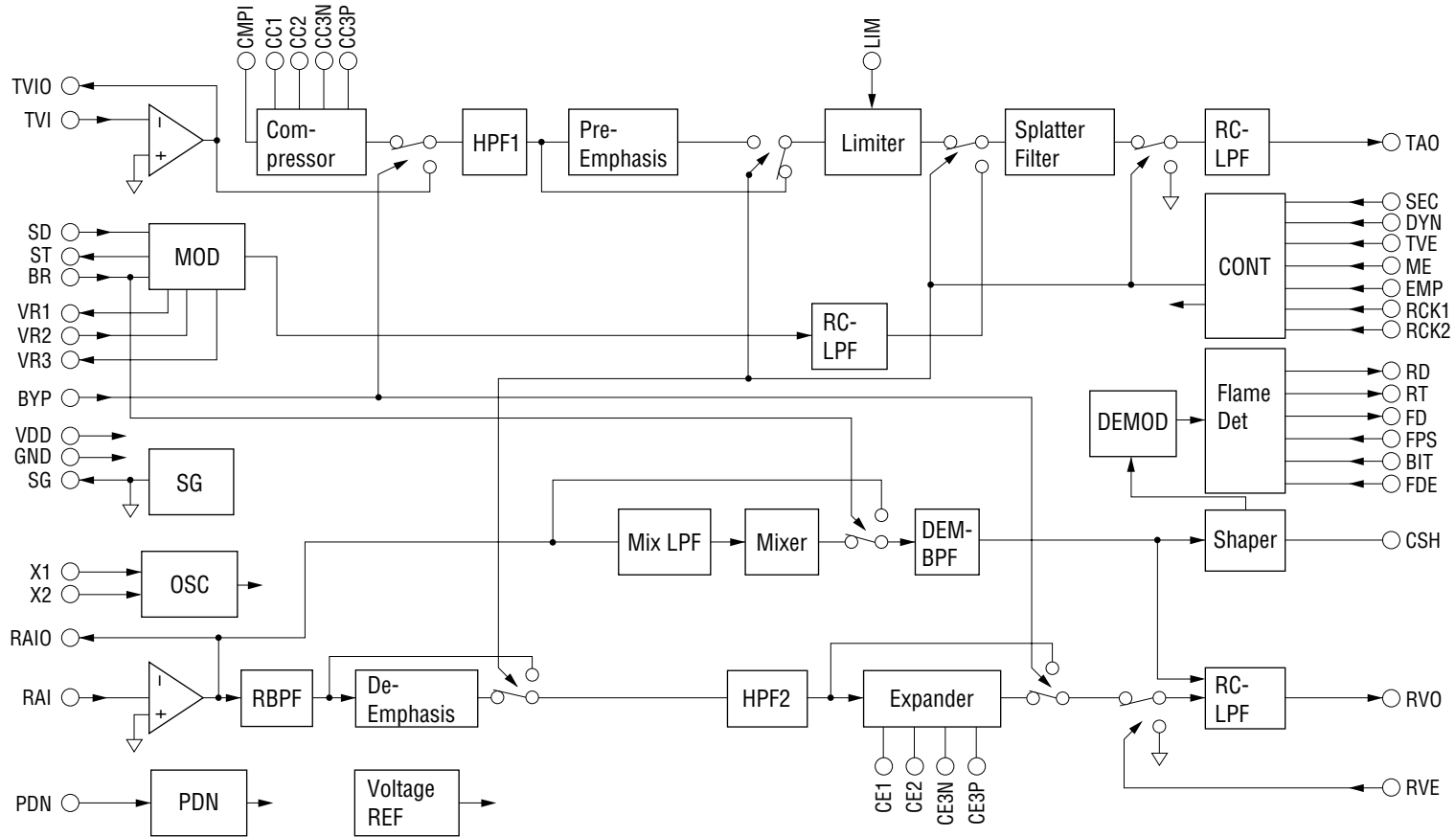
#### GENERAL DESCRIPTION

The MSM7557 is a single chip MSK modem with base band voice processor for cordless telephone. The MSM7557 voice transmit block consists of high pass filter, compressor, pre-emphasis, limiter and splatter filter.

Voice receive block consists of Band pass filter, De-emphasis and Expander.

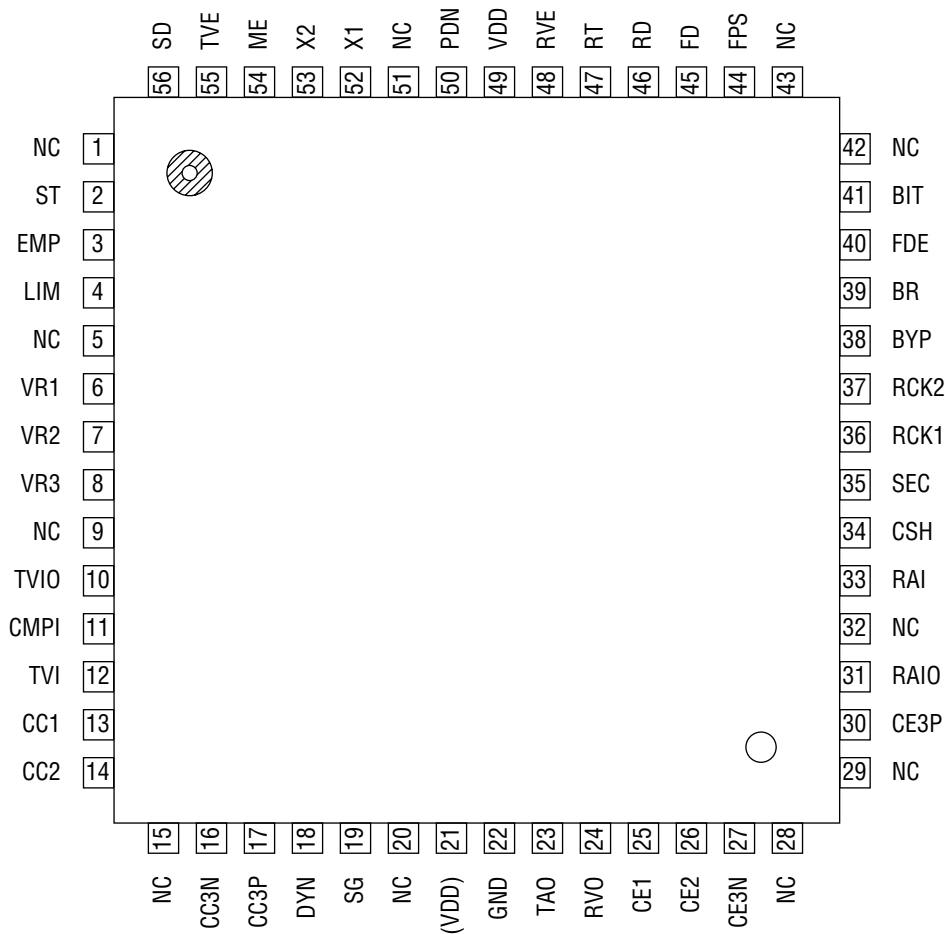
#### FEATURES

- Available to transmit modem signal and also transmit base band voice signal through wireless transmission path (0.3 kHz to 3.4 kHz)
- Built-in compandor circuit
- Upper limit of voice band (3306 Hz/3400 Hz/3500 Hz) is selectable
- Modem bit rate (2400/1200 bps) is selectable
- Transmit function and receive function operate separately
- Emphasis mode selectable
- Built-in bit synchronous detector and frame synchronous detector
- Built-in limiter level generator and external limit voltage input
- Dynamic range selectable
- Built-in crystal oscillator circuit
- Wide range power supply voltage (2.7V ~ 5.5V)
- Package :  
56-pin plastic QFP (QFP56-P-910-0.65-2K) (Product name : MSM7557GS-2K)



**BLOCK DIAGRAM**

**PIN CONFIGURATION (TOP VIEW)**

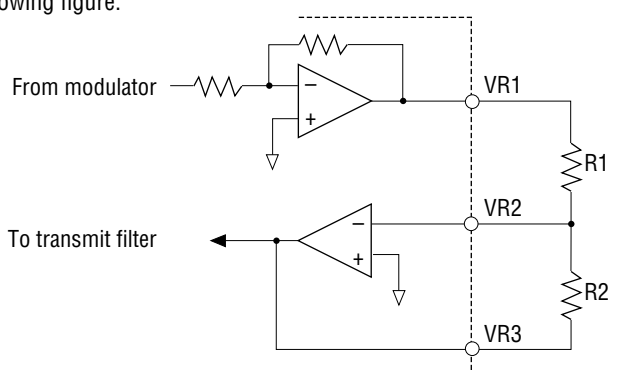
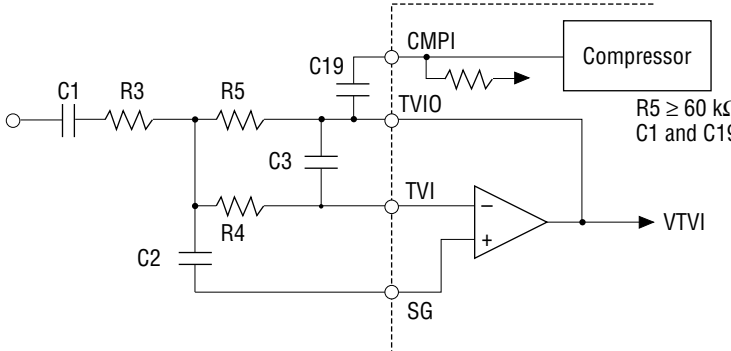


Notes: The pin 49 should be used for V<sub>DD</sub>.  
 The pin 21 should be connected to V<sub>DD</sub> or opened.  
 NC : No connect pin

## PIN DESCRIPTION

Name	Description									
SD	<p>Transmit data input. The data on SD pin are took into MSK modulator and the data are available on the positive edge of ST.</p> <p>In order to synchronize a receive modem, more than 18bits bit-synchronous signal should be transmitted before data transmission. If S/N ratio of the receive signal is always good, more than 11bits bit-synchronous signal synchronizes the receiver.</p>									
ST	<p>Transmit data timing clock output. When digital "0" is put on ME pin, ST is fixed to digital "1" level.</p>									
EMP	<p>Emphasis path selection.</p> <table border="1"> <thead> <tr> <th>EMP</th> <th>Transmit side</th> <th>Receive side</th> </tr> </thead> <tbody> <tr> <td>0</td> <td>Pre-emphasis circuit is bypassed to the path</td> <td>De-emphasis circuit is bypassed to the path</td> </tr> <tr> <td>1</td> <td>Pre-emphasis circuit is connected to the path</td> <td>De-emphasis circuit is connected to the path</td> </tr> </tbody> </table>	EMP	Transmit side	Receive side	0	Pre-emphasis circuit is bypassed to the path	De-emphasis circuit is bypassed to the path	1	Pre-emphasis circuit is connected to the path	De-emphasis circuit is connected to the path
EMP	Transmit side	Receive side								
0	Pre-emphasis circuit is bypassed to the path	De-emphasis circuit is bypassed to the path								
1	Pre-emphasis circuit is connected to the path	De-emphasis circuit is connected to the path								
LIM	<p>Deviation limiter control. Voice signal maximum Rf modulation level is controlled by connecting external reference voltage to this pin. Input impedance of this pin is about 200 kΩ. When this pin is left open, internal reference voltage is used as the clamp level. Internal clamp level is as follows.</p> <table border="1"> <thead> <tr> <th>DYN</th> <th>Internal clamp level</th> <th>Limiter level</th> </tr> </thead> <tbody> <tr> <td>0</td> <td>0.50 V</td> <td>-9 dBV</td> </tr> <tr> <td>1</td> <td>1.26 V</td> <td>-1 dBV</td> </tr> </tbody> </table> <p>This internal clamp level is made by internal reference voltage which is unrelated with <math>V_{DD}</math>. Negative clamp level is made by internal operational amplifier and the voltage is reversed at VSG.</p>	DYN	Internal clamp level	Limiter level	0	0.50 V	-9 dBV	1	1.26 V	-1 dBV
DYN	Internal clamp level	Limiter level								
0	0.50 V	-9 dBV								
1	1.26 V	-1 dBV								

(Continued)

Name	Description
VR1 VR2 VR3	<p>Modulator output level control. Refer to the following figure.</p>  <p style="text-align: right;"> <math>R1 \geq 40 \text{ k}\Omega</math>  <math>R2 \geq 40 \text{ k}\Omega</math>  <math>R1 \geq R2</math> </p> <p> <math>V_{TA0} = 20 \times \log (R2/R1) - 9 \text{ dBV (DYN = "0" )}</math>  <math>V_{TA0} = 20 \times \log (R2/R1) - 1 \text{ dBV (DYN = "1" )}</math>                      This level is made from internal voltage reference, so this level doesn't depend on power supply voltage.                 </p>
TVIO TVI	<p>Transmit side RC active filter input (TVI) and output (TVIO). If over 50 kHz frequency element is in the input signal, folding noise is generated from internal SCF circuit, so second order RC-active filter is needed. (<math>f_c = 10 \text{ kHz}</math>)</p>  <p style="text-align: right;"> <math>R5 \geq 60 \text{ k}\Omega</math>                      C1 and C19 are used for DC cut.                 </p> <p style="text-align: center;">                     ( Example of <math>f_c = 10 \text{ kHz}</math> and <math>0 \text{ dB}</math> gain  <math>R3 = R4 = R5 = 68 \text{ k}\Omega</math>  <math>C1 = 0.22 \text{ }\mu\text{F}</math>, <math>C2 = 510 \text{ pF}</math>, <math>C3 = 110 \text{ pF}</math> )                 </p>
CC1 CC2	<p>When digital "1" is applied to TVE pin, transmit voice signal comes out to TA0.</p> <p>CC1 Capacitor connection pins to remove for DC offset of the compressor.</p> <p>CC2 A 1 <math>\mu\text{F}</math> capacitor between SG pin and each pin should be connected.</p>
CC3N CC3P	<p>Capacitor connection pins for the compressor attack and recovery time.</p> <p>When DYN is digital "0" level, a 0.22 <math>\mu\text{F}</math> capacitor should be connected between CC3N and CC3P.</p> <p>And when DYN is digital "1" level, a 0.47 <math>\mu\text{F}</math> capacitor should be connected between them.</p>

(Continued)

Name	Description												
CMPI	Compressor circuit input. A 0.47 $\mu$ F capacitor should be connected between CMPI and TVIO.												
DYN	Dynamic range control input. For an application of which $V_{DD}$ is always higher than 4.5 V (Base station), by setting DYN = "1", modem transmit carrier level, typical input signal level, limiter clamp level and compandor standard input level are up about 8dB to improve S/N ratio. For an application of which $V_{DD}$ is lower than 4.5 V (Hand-set) DYN shall be digital "0". To make easier interface with the RF part, one solution is to put digital "0" on DYN pin for both Base station and Handset.												
SG	Built-in analog signal ground. The DC voltage is half of $V_{DD}$ . To make this voltage source impedance lower and to ensure the device performance, it is necessary to put a bypass capacitor of more than 1 $\mu$ F between SG and $V_{DD}$ in close physical proximity to the device.												
GND	Ground pin, (0V).												
TAO	Transmit analog signal output. According to control data on ME and TVE, TAO is set as follows. <table border="1" style="margin-left: auto; margin-right: auto;"> <thead> <tr> <th>ME</th> <th>TVE</th> <th>TAO</th> </tr> </thead> <tbody> <tr> <td>0</td> <td>0</td> <td>No signal output (potential = SG)</td> </tr> <tr> <td>0</td> <td>1</td> <td>Voice signal output</td> </tr> <tr> <td>1</td> <td>X</td> <td>MSK modulator output</td> </tr> </tbody> </table> <p style="text-align: right;">X : Don't care</p>	ME	TVE	TAO	0	0	No signal output (potential = SG)	0	1	Voice signal output	1	X	MSK modulator output
ME	TVE	TAO											
0	0	No signal output (potential = SG)											
0	1	Voice signal output											
1	X	MSK modulator output											
RVO	Receive voice signal output. RVO pin state is defined by RVE control. <table border="1" style="margin-left: auto; margin-right: auto;"> <thead> <tr> <th>RVE</th> <th>RVO</th> </tr> </thead> <tbody> <tr> <td>0</td> <td>Output disable (potential = SG)</td> </tr> <tr> <td>1</td> <td>Output enable</td> </tr> </tbody> </table>	RVE	RVO	0	Output disable (potential = SG)	1	Output enable						
RVE	RVO												
0	Output disable (potential = SG)												
1	Output enable												
CE1 CE2	Capacitor connection pins to remove DC offset of the expander. A 1 $\mu$ F capacitor between SG pin and each pin should be connected.												
CE3N CE3P	Capacitor connection pins for the expander attack time and recovery time. When DYN is digital "0" level, a 0.22 $\mu$ F capacitor should be connected between CE3N and CE3P. And when DYN is digital "1" level, a 0.47 $\mu$ F capacitor should be connected between them.												
RAIO RAI	Receive side amplifier input (RAI) and output (RAIO). Second order RC-active filter is needed like TVIO and TVI. Refer to TVIO and TVI pin description.												
CSH	Capacitor connection pin to remove DC offset of the modem shaper circuit. A 1 $\mu$ F capacitor should be connected between GND pin and CSH.												

## (Continued)

Name	Function														
SEC	Device test input. SEC shall be connected to GND.														
RCK1 RCK2	Voice band select. <table border="1" data-bbox="385 455 1075 610"> <thead> <tr> <th data-bbox="385 455 522 488">RCK1</th> <th data-bbox="526 455 677 488">RCK2</th> <th data-bbox="681 455 1075 488">Upper Limit of Voice Band</th> </tr> </thead> <tbody> <tr> <td data-bbox="385 494 522 527">0</td> <td data-bbox="526 494 677 527">1</td> <td data-bbox="681 494 1075 527">3306 Hz</td> </tr> <tr> <td data-bbox="385 533 522 566">X</td> <td data-bbox="526 533 677 566">0</td> <td data-bbox="681 533 1075 566">3400 Hz</td> </tr> <tr> <td data-bbox="385 571 522 604">1</td> <td data-bbox="526 571 677 604">1</td> <td data-bbox="681 571 1075 604">3500 Hz</td> </tr> </tbody> </table>			RCK1	RCK2	Upper Limit of Voice Band	0	1	3306 Hz	X	0	3400 Hz	1	1	3500 Hz
RCK1	RCK2	Upper Limit of Voice Band													
0	1	3306 Hz													
X	0	3400 Hz													
1	1	3500 Hz													
BYP	Compandor path selection. <table border="1" data-bbox="296 680 1195 799"> <thead> <tr> <th data-bbox="296 680 406 712">BYP</th> <th data-bbox="410 680 814 712">Transmit side</th> <th data-bbox="819 680 1195 712">Receive side</th> </tr> </thead> <tbody> <tr> <td data-bbox="296 718 406 751">0</td> <td data-bbox="410 718 814 751">Compressor is connected to the path.</td> <td data-bbox="819 718 1195 751">Expander is connected to the path.</td> </tr> <tr> <td data-bbox="296 757 406 790">1</td> <td data-bbox="410 757 814 790">Compressor is bypassed to the path.</td> <td data-bbox="819 757 1195 790">Expander is bypassed to the path.</td> </tr> </tbody> </table>			BYP	Transmit side	Receive side	0	Compressor is connected to the path.	Expander is connected to the path.	1	Compressor is bypassed to the path.	Expander is bypassed to the path.			
BYP	Transmit side	Receive side													
0	Compressor is connected to the path.	Expander is connected to the path.													
1	Compressor is bypassed to the path.	Expander is bypassed to the path.													
BR	Modem data signaling rate select pin. <table border="1" data-bbox="519 882 900 1002"> <thead> <tr> <th data-bbox="519 882 605 915">BR</th> <th data-bbox="609 882 900 915">Date signaling rate</th> </tr> </thead> <tbody> <tr> <td data-bbox="519 921 605 954">0</td> <td data-bbox="609 921 900 954">1200 bps</td> </tr> <tr> <td data-bbox="519 960 605 993">1</td> <td data-bbox="609 960 900 993">2400 bps</td> </tr> </tbody> </table>			BR	Date signaling rate	0	1200 bps	1	2400 bps						
BR	Date signaling rate														
0	1200 bps														
1	2400 bps														

(Continued)

Name	Function																				
FDE	<p>Frame synchronous signal detector control.</p> <p>When digital "0" is applied to this pin, FD pin is fixed to "0" level. RT and RD always work.</p> <p>When digital "1" is applied to this pin, frame synchronous detector works, and RT and RD pins are fixed to "1" level until synchronous signal detector detects frame synchronous signal and FD becomes "1" level. Refer to Fig.3 (receive signal timing).</p>																				
BIT	<p>Bit synchronous signal detector control.</p> <p>When BIT and FDE pins are digital "1" level and when bit synchronous signal and frame synchronous signal are detected continuously, FD becomes digital "1".</p> <p>When BIT pin is digital "0" level and FDE pin is digital "1" level and when 16-bit frame synchronous signal is detected, FD pin becomes digital "1" level.</p> <p>Refer to FPS pin detection.</p>																				
FPS	<p>Frame synchronous pattern control.</p> <table border="1"> <thead> <tr> <th>BIT</th> <th>FPS</th> <th>Detect pattern</th> <th>Receiver</th> </tr> </thead> <tbody> <tr> <td>0</td> <td>0</td> <td>1 0 0 1 0 0 1 1 0 0 1 1 0 0 1 1 0 (=9336H)</td> <td>Handset side</td> </tr> <tr> <td>0</td> <td>1</td> <td>1 1 0 0 0 1 0 0 1 1 0 1 0 1 1 0 0 (=C4D6H)</td> <td>Base station</td> </tr> <tr> <td>1</td> <td>0</td> <td>1 0 1 0 1 0 0 1 0 0 1 1 0 0 1 1 0 0 (=A9336H)</td> <td>Handset side</td> </tr> <tr> <td>1</td> <td>1</td> <td>1 0 1 0 1 1 0 0 0 1 0 0 1 1 0 1 0 1 (=AC4D6H)</td> <td>Base station</td> </tr> </tbody> </table> <p>(Note : This pattern is for Japanese Cordless Telephone.)</p>	BIT	FPS	Detect pattern	Receiver	0	0	1 0 0 1 0 0 1 1 0 0 1 1 0 0 1 1 0 (=9336H)	Handset side	0	1	1 1 0 0 0 1 0 0 1 1 0 1 0 1 1 0 0 (=C4D6H)	Base station	1	0	1 0 1 0 1 0 0 1 0 0 1 1 0 0 1 1 0 0 (=A9336H)	Handset side	1	1	1 0 1 0 1 1 0 0 0 1 0 0 1 1 0 1 0 1 (=AC4D6H)	Base station
BIT	FPS	Detect pattern	Receiver																		
0	0	1 0 0 1 0 0 1 1 0 0 1 1 0 0 1 1 0 (=9336H)	Handset side																		
0	1	1 1 0 0 0 1 0 0 1 1 0 1 0 1 1 0 0 (=C4D6H)	Base station																		
1	0	1 0 1 0 1 0 0 1 0 0 1 1 0 0 1 1 0 0 (=A9336H)	Handset side																		
1	1	1 0 1 0 1 1 0 0 0 1 0 0 1 1 0 1 0 1 (=AC4D6H)	Base station																		
FD	<p>Frame synchronous detector output.</p> <p>When receive data correspond to detection pattern, FD pin is held to digital "1" level.</p> <p>When FDE is applied to digital "0" level, FD pin is reset to digital "0" level.</p> <p>And at the full power down state (PDN = "1", RVE = "0"), FD pin is reset to digital "0" level.</p>																				
RD	<p>Demodulator serial data output.</p> <p>The data are synchronized with the re-generated timing clock of RT.</p> <p>When FDE is digital "1" level and also FD is digital "0" level, RD is fixed to digital "1" level.</p>																				
RT	<p>Receive data timing clock output.</p> <p>This signal is re-generated by internal digital PLL. The falling edge of this clock output is coincident with the transitions of RD.</p> <p>The rising edge of RT can be used to latch the valid receive data.</p> <p>When FDE pin is applied to digital "1" level and also FD pin output digital "0" level, RT pin is fixed to digital "1" level. Refer to Fig.3.</p>																				
RVE	<p>Receive voice signal control.</p> <p>Refer to RVO pin description.</p>																				
V <sub>DD</sub>	<p>Power supply.</p> <p>This device is sensitive to power supply noises as switched capacitor techniques are utilized.</p> <p>A bypass capacitor of more than 10 <math>\mu</math>F between V<sub>DD</sub> and GND pin should be connected to ensure the performance.</p>																				



## (Continued)

Name	Function							
PDN	Power down control. Power down state is controlled by PDN, ME, RVE, and TVE.							
		<b>PDN</b>	<b>ME</b>	<b>RVE</b>	<b>TVE</b>	<b>Voice control path</b>	<b>Transmit side modem</b>	<b>Receive side modem</b>
	Mode1	1	X	0	X	OFF	OFF	OFF
	Mode2	1	X	1	X	OFF	OFF	ON
	Mode3	0	1	0	0	OFF	ON	ON
	Mode4	others				ON	ON	ON
X : Don't care								
At the mode 4, all functions are powered on. At the full power down mode(PDN = "1" and RVE = "0"), the demodulator circuit and FD pin are reset. When V <sub>DD</sub> is turned ON, the demodulator circuit and FD pin should be reset by setting Mode1.								
X1	Crystal connection. 3.6864 MHz crystal shall be connected.							
X2	When an external master clock is applied, the clock should be supplied to X2 pin via a 200 pF capacitor for AC coupling and X1 should be opened.							
ME	MSK modulator output. When digital "1" is applied to this pin, MSK modulator is connected to the splatter filter. Refer to TAO pin description.							
TVE	Transmit side voice signal control. Refer to TAO pin description.							

**ABSOLUTE MAXIMUM RATINGS**

Parameter	Symbol	Condition	Rating	Unit
Power Supply Voltage	V <sub>DD</sub>	Ta = 25°C Refer to GND	-0.3 to +7.0	V
Analog Input Voltage *1	V <sub>IA</sub>		-0.3 to V <sub>DD</sub> + 0.3	
Digital Input Voltage *2	V <sub>ID</sub>			
Storage Temperature	T <sub>STG</sub>	—	-55 to +150	°C

\*1 : LIM, VR2, TVI, RAI, CMPI

\*2 : SD, EMP, DYN, SEC, RCK1, RCK2, BYP, BR, FDE, BIT, FPS, RVE, PDN, X2, ME, TVE

**RECOMMENDED OPERATING CONDITIONS**

Parameter	Symbol	Condition	Min.	Typ.	Max.	Unit	
Power Supply Voltage	V <sub>DD</sub>	from GND level	DYN = "0"	2.7	3.6	5.5	V
			DYN = "1"	4.5	5.0	5.5	
Operating Temperature	T <sub>op</sub>	V <sub>DD</sub> = 2.7 V to 5.5 V	-30	+25	+70	°C	
Crystal Oscillating Freq.	f <sub>X-TAL</sub>	—	3.6860	3.6864	3.6868	MHz	
Data Signaling Rate	T <sub>S</sub>	BR = "0"	—	1200	—	bit/sec	
		BR = "1"	—	2400	—		
C4, C5, C11, C12, C15	—	—	—	1.0	—	μF	
C6, C13	—	DYN = "0"	—	0.22	—		
		DYN = "1"	—	0.47	—		
C7, C8	—	—	—	1.0	—		
C9, C10	—	RL ≥ 40kΩ	—	0.22	—		
C14	—	—	—	10	—		
C19	—	—	—	0.47	—		
C20, C21	—	—	—	20	—	pF	

## ELECTRICAL CHARACTERISTICS

## DC Characteristics

( DYN = "0" :  $V_{DD} = 2.7\text{ V to }5.5\text{ V}$ ,  $T_a = -30^\circ\text{C to }70^\circ\text{C}$  )  
 ( DYN = "1" :  $V_{DD} = 4.5\text{ V to }5.5\text{ V}$ ,  $T_a = -30^\circ\text{C to }70^\circ\text{C}$  )

Parameter	Symbol	Condition	Min.	Typ.	Max.	Unit	
Power Supply Current *1	$I_{DD}$	Normal mode (mode 4)	3.6 V	—	9.0	18	mA
			5.5 V	—	14.0	24	
	$I_{DDS1}$	Power down mode 1	5.5 V	—	1.0	20	$\mu\text{A}$
	$I_{DDS2}$	Power down mode 2	3.6 V	—	3.8	7.0	mA
$I_{DDS3}$	Power down mode 3	—		4.6	9.0		
Input Leakage Current *2	$I_{IL}$	$V_{IN} = 0\text{ V}$	-10	—	+10	$\mu\text{A}$	
	$I_{IH}$	$V_{IN} = V_{DD}$					
Input Voltage *2	$I_{IL}$	—	0	—	$0.2V_{DD}$	V	
	$I_{IH}$		$0.7V_{DD}$	—	$V_{DD}$		
Output Voltage *3	$V_{OL}$	$I_{OL} = -20\ \mu\text{A}$	0	—	$0.1V_{DD}$		
	$V_{OH}$	$I_{OH} = 20\ \mu\text{A}$	$0.8V_{DD}$	—	$V_{DD}$		

\*1 Refer to PDN pin description

\*2 SD, EMP, DYN, SEC, RCK1, RCK2, BYP, BR, FDE, BIT, FPS, RVE, PDN, ME, TVE

\*3 ST, FD, RD, RT

## AC Characteristics

( DYN = "0" : V<sub>DD</sub> = 2.7 V to 5.5 V, T<sub>a</sub> = -30°C to 70°C )  
 ( DYN = "1" : V<sub>DD</sub> = 4.5 V to 5.5 V, T<sub>a</sub> = -30°C to 70°C )

Parameter		Symbol	Condition	Min.	Typ.	Max.	Unit	
Transmit Carrier Frequency		f <sub>M1</sub>	SD = "1" BR = "0"	1199	1200	1201	Hz	
		f <sub>S1</sub>	SD = "0" ME = "1"	1799	1800	1801		
		f <sub>M2</sub>	SD = "1" BR = "1"	1199	1200	1201		
		f <sub>S2</sub>	SD = "0" ME = "1"	2399	2400	2401		
Transmit Carrier Level		V <sub>OX</sub>	R1 = R2	DYN = "0"	-11	-9	-7	dBV
Receive Carrier Input Level				DYN = "1"	-3	-1	+1	
Receive Carrier Input Level		V <sub>IR</sub>		-32	—	-2		
Bit Error Rate	1200 bps	BER	Defined at RAIO	8 dB	—	1 × 10 <sup>-3</sup>	—	—
				10 dB	—	5 × 10 <sup>-5</sup>	—	
	2400 bps			11 dB	—	1 × 10 <sup>-3</sup>	—	
				13 dB	—	5 × 10 <sup>-5</sup>	—	
Number of PLL Lock-in Data Bits *1		V <sub>IR</sub>	Number of data bits required for the PLL to be locked in within the phase difference of 22.5° or less	—	—	18	bit	
			Number of data bits required for the PLL to be locked in within the phase difference of 90° or less	—	—	11		

\*1 Receive MSK signal is bit synchronous signal (modulated signal of alternating "0", "1" pattern).

## Voice Signal Interfaces

( DYN = "0" :  $V_{DD} = 2.7\text{ V to }5.5\text{ V}$ ,  $T_a = -30^\circ\text{C to }70^\circ\text{C}$  )  
 ( DYN = "1" :  $V_{DD} = 4.5\text{ V to }5.5\text{ V}$ ,  $T_a = -30^\circ\text{C to }70^\circ\text{C}$  )

Parameter	Symbol	Condition		Min.	Typ.	Max.	Unit
RVO Maximum Output Signal Level	$V_{OUT}$	$f_{IN} = 1\text{ kHz}$	DYN = "0"	—	—	-6	dBV
		BYP = "0" *1	DYN = "1"	—	—	+2	
Limiter Clamp Level	$V_{LIM}$	$f_{IN} = 1\text{ kHz}$	DYN = "0"	-10	-9	-8	dB
		LIM = open	DYN = "1"	-2	-1	0	
Transmit Output Distortion	$H_{DT}$	$f_{IN} = 1\text{ kHz}$ , -12 dBV		—	-40	—	dB
Receive Output Distortion	$H_{DR}$	BYP = "0", EMP = "1"		—	-40	—	
Transmit Gain	$G_T$	$f_{IN} = 1\text{ kHz}$ , BYP = EMP = "1"		-1.5	-0.2	+1	
Receive Gain	$G_R$	$f_{IN} = 1\text{ kHz}$ , BYP = EMP = "1"		-1.5	-0.2	+1	
Transmit Idle Noise	$H_{IT}$	BYP = "0"		—	-51	—	dBV
Receive Idle Noise	$H_{IR}$	EMP = "1"		—	-85	—	
Cross Talk	$R_{CV. \rightarrow T_{ran.}}$	$C_{TT}$	RAIO = -2 dBV	*2	—	-75	-60
	$T_{ran. \rightarrow R_{CV.}}$	$C_{TR}$	TVIO = -2 dBV		—	-80	-60
Transmit Filter Response	FT1	EMP = "1" BYP = "1" RCK2 = "0" Ref. = 1 kHz	100 Hz	—	-28	-23	dB
	FT3		300 Hz	-12.5	-10.5	-8.5	
	FT25		2.5 kHz	+6.5	+8.0	+9.5	
	FT34		3.4 kHz	+8.5	+10.5	+12.5	
	FT60		6 kHz	—	-40	-30	
Receive Filter Response	FR1	EMP = "1" BYP = "1" RCK2 = "0" Ref. = 1 kHz	100 Hz	+1.5	+3.0	+4.5	dB
	FR3		300 Hz	+8.0	+9.5	+11.0	
	FR25		2.5 kHz	-9.5	-8.0	-6.5	
	FR34		3.4 kHz	-12.5	-10.5	-8.5	
	FR60		6 kHz	—	-40	-30	

\*1  $S/D \geq 20\text{ dB}$ \*2  $f_{IN} = 1\text{ kHz}$ , BYP = EMP = "1"

(Continued)

( DYN = "0" :  $V_{DD} = 2.7\text{ V to } 5.5\text{ V}$ ,  $T_a = -30^\circ\text{C to } 70^\circ\text{C}$   
 DYN = "1" :  $V_{DD} = 4.5\text{ V to } 5.5\text{ V}$ ,  $T_a = -30^\circ\text{C to } 70^\circ\text{C}$  )

	Parameter	Symbol	Condition	Min.	Typ.	Max.	Unit	
Compressor	Standard Input Level	$V_{ICS}$	$f_{IN} = 1\text{ kHz}$	DYN = "0"	-16.1	-13.7	-11.3	dBV
				DYN = "1"	-7.1	-5.5	-3.9	
	Maximum Input Level	$V_{ICM}$		DYN = "0"	—	—	-7	
				DYN = "1"	—	—	+1.0	
	Output Level *3	GC2	$f_{IN} = 1\text{ kHz}$	-20 dB	-10.6	-9.9	-9.2	dB
		GC4		-40 dB	-21.0	-19.8	-18.6	
GC5		-60 dB		—	-29.5	—		
Attack Time	$T_{AT1}$	DYN = "0", $C6 = 0.22\ \mu\text{F}$		—	3.4	—	ms	
	$T_{AT2}$	DYN = "1", $C6 = 0.47\ \mu\text{F}$		—	3.5	—		
	Recovery Time	$T_{RE1}$	DYN = "0", $C6 = 0.22\ \mu\text{F}$		—	17		—
		$T_{RE2}$	DYN = "1", $C6 = 0.47\ \mu\text{F}$		—	16		—
Expander	Standard Input Level	$V_{IES}$	$f_{IN} = 1\text{ kHz}$	*4	-12.9	-10.8	-8.7	dBV
				*5	-13.3	-11.2	-9.1	
				*6	-4.7	-3.1	-1.5	
	Maximum Output Level	$V_{IEM}$		DYN = "0"	—	—	-6	
				DYN = "1"	—	—	+2	
	Output Level	GE1		$f_{IN} = 1\text{ kHz} *3$	-10 dB	-21.5	-20	
		GE2	-20 dB		-42.2	-40	-37.5	
		GE3	-30 dB		—	-59	—	
Attack Time	$T_{AT3}$	DYN = "0", $C13 = 0.22\ \mu\text{F}$		—	3.4	—	ms	
	$T_{AT4}$	DYN = "1", $C13 = 0.47\ \mu\text{F}$		—	3.5	—		
	Recovery Time	$T_{RE3}$	DYN = "0", $C13 = 0.22\ \mu\text{F}$		—	17		—
		$T_{RE4}$	DYN = "1", $C13 = 0.47\ \mu\text{F}$		—	16		—

\*3 0 dB is defined as the input level and the output level when the standard input level is input.

\*4  $V_{DD} = 3.6\text{ V}$ , DYN = "0"

\*5  $V_{DD} = 5.0\text{ V}$ , DYN = "0"

\*6  $V_{DD} = 5.0\text{ V}$ , DYN = "1"

**Common Characteristics**

( DYN = "0" :  $V_{DD} = 2.7\text{ V to }5.5\text{ V}$ ,  $T_a = -30^\circ\text{C to }70^\circ\text{C}$  )  
 ( DYN = "1" :  $V_{DD} = 4.5\text{ V to }5.5\text{ V}$ ,  $T_a = -30^\circ\text{C to }70^\circ\text{C}$  )

Parameter	Symbol	Condition	Min.	Typ.	Max.	Unit
Input Resistance	$R_{IA}$	TVI, RAI, VR2	—	10	—	$M\Omega$
	$R_{IC}$	LIM	—	200	—	$k\Omega$
Output Resistance	$R_{Ox1}$	TAO	—	1750	—	$\Omega$
	$R_{Ox2}$	VR1, VR3, RVO	—	600	—	
	$R_{Ox3}$	TVIO, RAIO	—	100	—	
Output Load Resistance	RXL1	S/D $\geq 20\text{ dB}$	*1	40	—	$k\Omega$
	RXL2		TVIO	60	—	
Output DC Voltage	$V_{SG}$	SG	$\frac{V_{DD} - 0.1}{2}$	$\frac{V_{DD}}{2}$	$\frac{V_{DD} + 0.1}{2}$	V
	$V_{AO}$	TAO, RVO	$\frac{V_{DD} - 0.15}{2}$	$\frac{V_{DD}}{2}$	$\frac{V_{DD} + 0.15}{2}$	

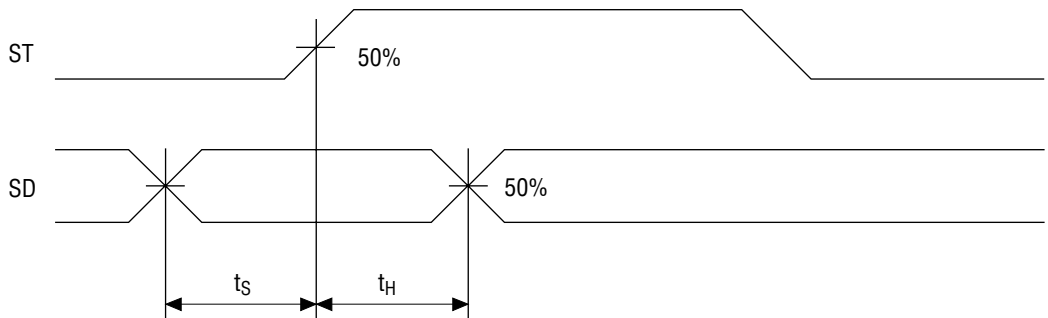
\*1 VR1, VR3, TAO, RVO, RAIO

**Digital Timing Characteristics**

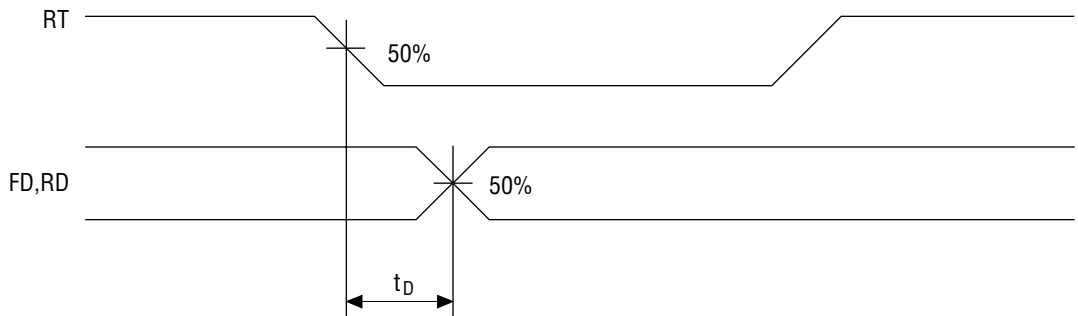
( DYN = "0" :  $V_{DD} = 2.7\text{ V to }5.5\text{ V}$ ,  $T_a = -30^\circ\text{C to }70^\circ\text{C}$  )  
 ( DYN = "1" :  $V_{DD} = 4.5\text{ V to }5.5\text{ V}$ ,  $T_a = -30^\circ\text{C to }70^\circ\text{C}$  )

Parameter	Symbol	Condition	Min.	Typ.	Max.	Unit
Transmit Data Set-up Time	$t_S$	Refer to Fig. 1	1	—	—	$\mu\text{s}$
Transmit Data Hold Time	$t_H$		1	—	—	
Receive Data Output Delay	$t_D$	Refer to Fig. 1	-300	—	300	ns
Sync-signal Output Delay (ME→ST)	$t_{MS}$	Refer to Fig. 1	0	—	834	$\mu\text{s}$

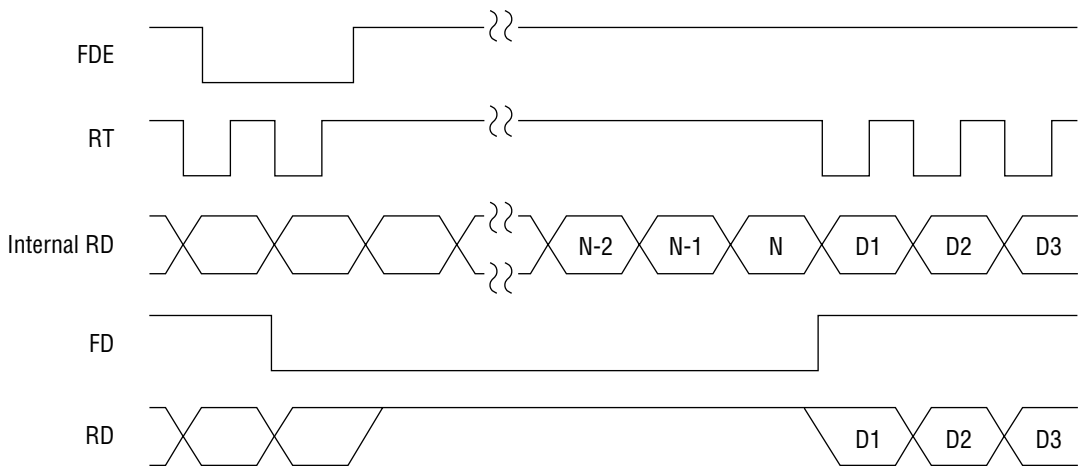
**TIMING DIAGRAM**



**Figure 1 Input Data Timing**



**Figure 2 Output Data Timing**



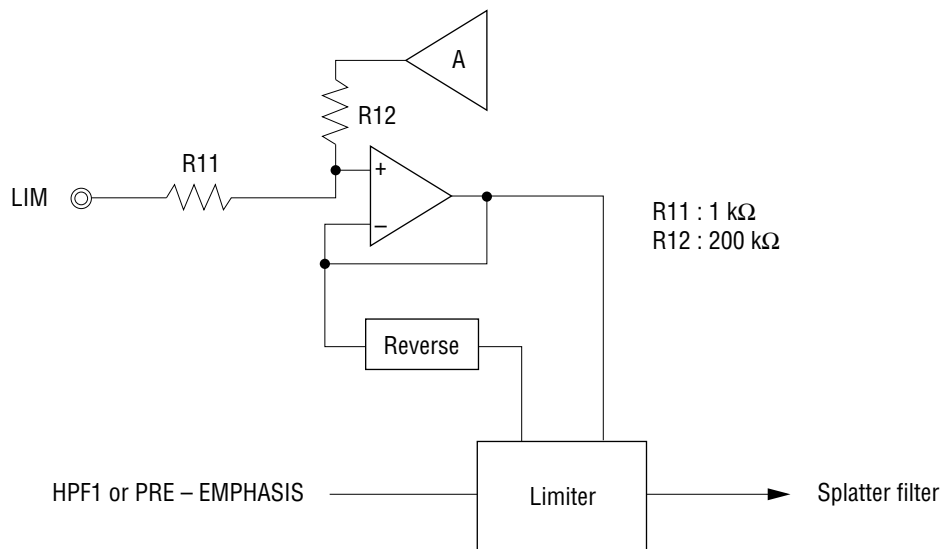
N-2, N-1, N : Frame synchronous signal

**Figure 3 Receive Signal Timing**



## OPERATION DESCRIPTION

### Limiter Circuit



DYN = "0" : Clamp level = VSG  $\pm$ 0.50 V

DYN = "1" : Clamp level = VSG  $\pm$ 1.26 V

#### 2. In case of using external voltage reference

LIM pin shall be supplied over VSG voltage.

- Notes
- 1 ) R11 is protection resistor from external extra voltage.
  - 2 ) Resistor value of R11 and R12 changes 0.7 to 1.3 times from the typical value by lot variation and temperature variation.

## Frame Detector

Frame detection pattern is defined by BIT and FPS.

BIT	FPS	Sync-pattern	Receiver	Note
0	0	9336H	S.H.	Frame synchronous
0	1	C4D6H	M.T.	Frame synchronous
1	0	A9336H	S.H.	Bit + Frame synchronous
1	1	AC4D6H	M.T.	Bit + Frame synchronous

M.T. = Master telephone

S.H. = Slave handset

Fig 3 shows detection timing

First, put digital "0" level to FDE pin more than 1 ms, then FD pin is reset to "0" level.

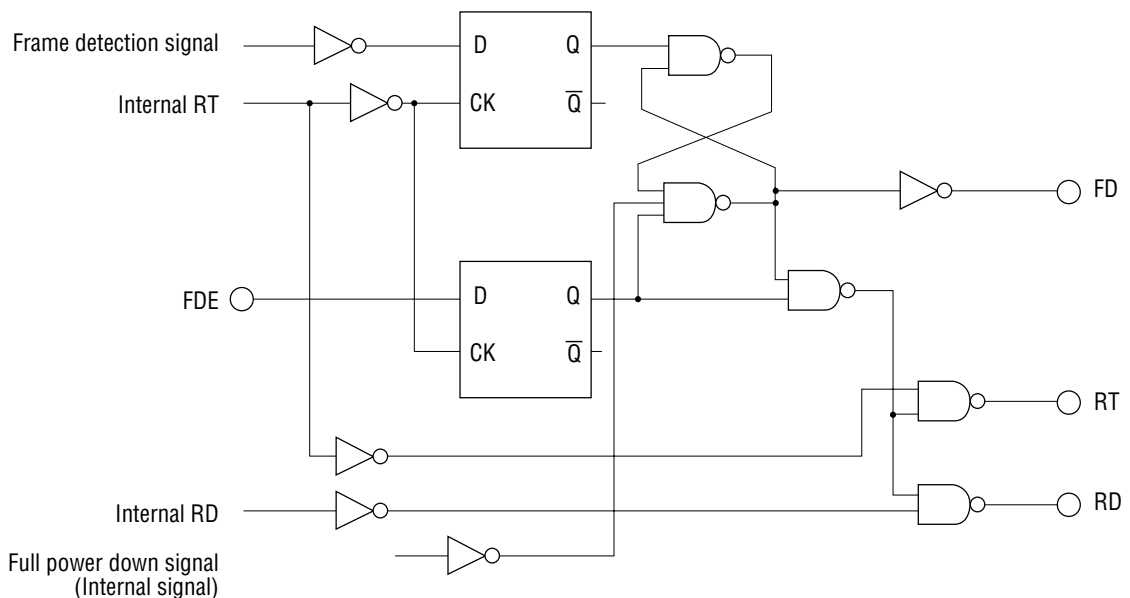
Next, put digital "1" level to FDE pin, then RT and RD output digital "1" level until frame synchronous signal detected.

When synchronous pattern is detected, FD pin is held to digital "1" level.

At the full power down state (PDN = "1", RVE = "0"), FD pin becomes reset state.

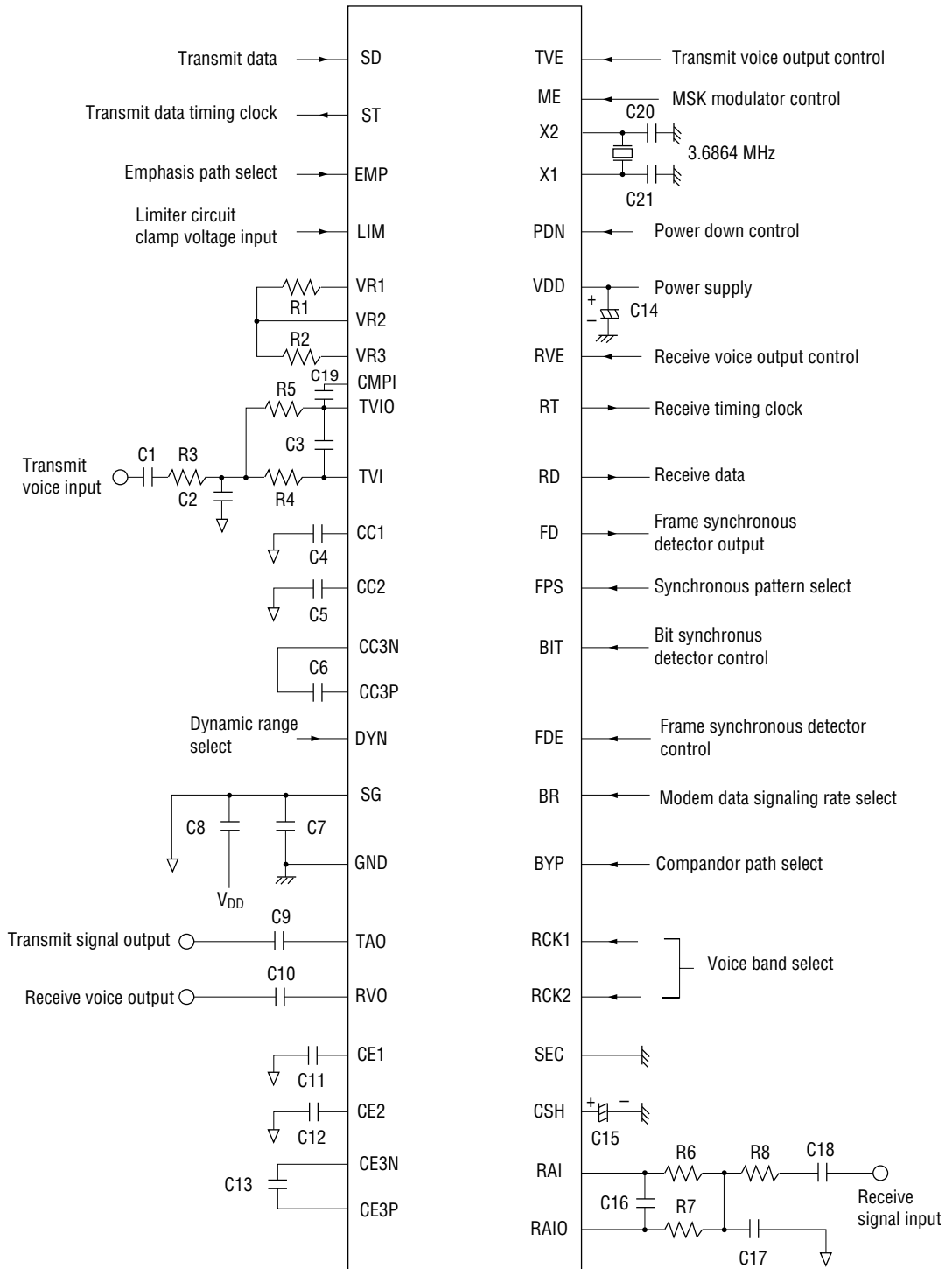
In order to detect frame synchronous signal certainly, receive side PLL should be locked in sufficiently.

When a modem starts data transmission, the bit-synchronous signal of more than 18 bits should be transmitted before frame pattern of the upper table.



**Application Circuit**

**MSM7557GS-2K**

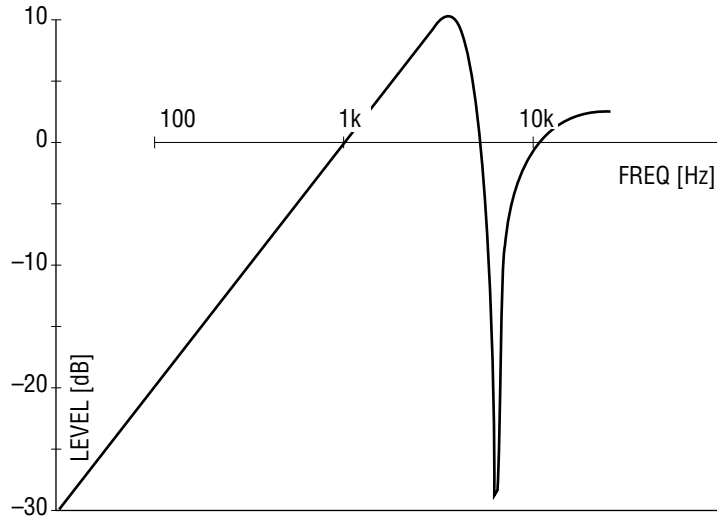


## MSM7557 Filter Characteristics

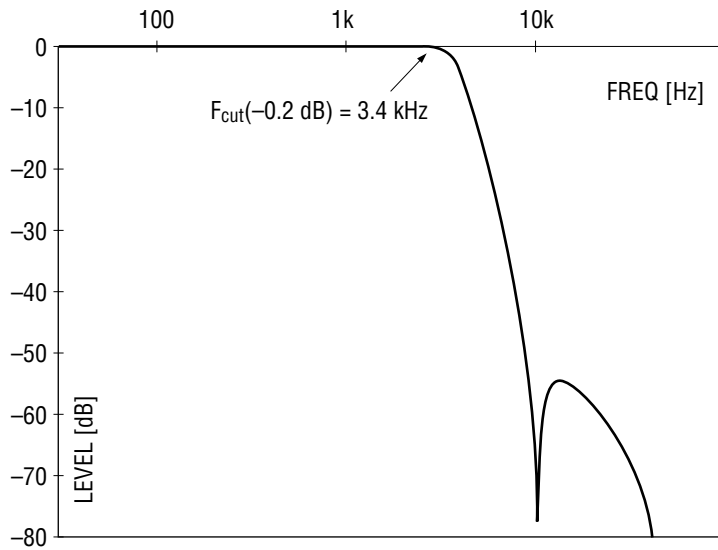
MSM7557 has wide band filters (0.3 kHz to 3.4 kHz) as follows.

Pre-Emphasis .....	Fig. 4
Splatter Filter .....	Fig. 5
RBPF .....	Fig. 6
De-Emphasis .....	Fig. 7
Transmit Total (HPF1 + Pre-Emphasis + Splatter) .....	Fig. 8
Receive Total (RBPF + De-Emphasis) .....	Fig. 9
Transmit and Receive Total .....	Fig. 10

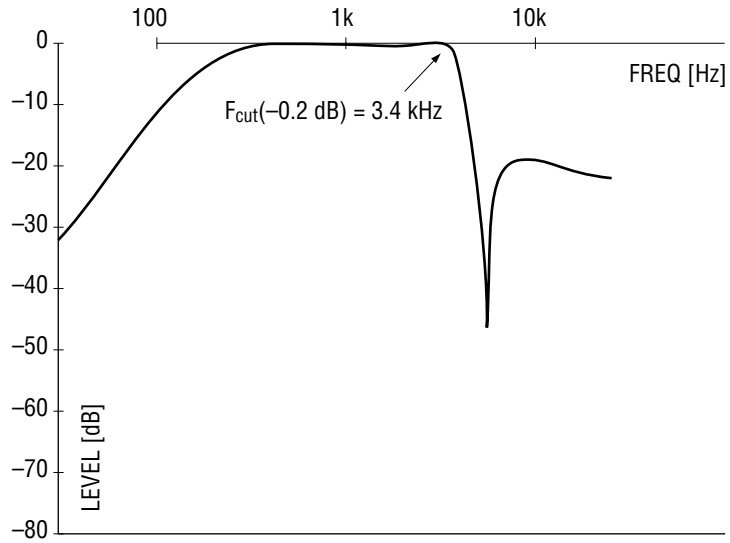
Fig. 4 to Fig. 10 show the filter characteristics when RCK2 is digital "0". When RCK1 is digital "0" and RCK2 is digital "1", the filter characteristics change 0.972 times on the frequency axis. (pass-band becomes narrow) When RCK1 is digital "1" and RCK2 is digital "1", the filter characteristics change 1.029 times on the frequency axis. (pass-band becomes wide)



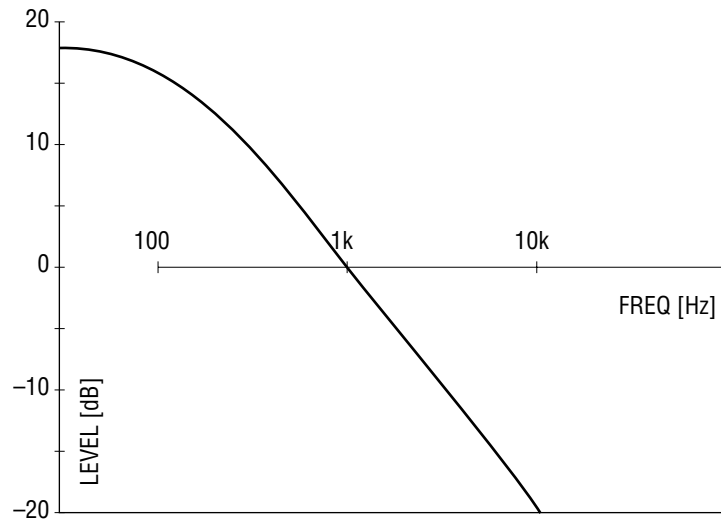
**Figure 4 MSM7557 Pre-Emphasis**



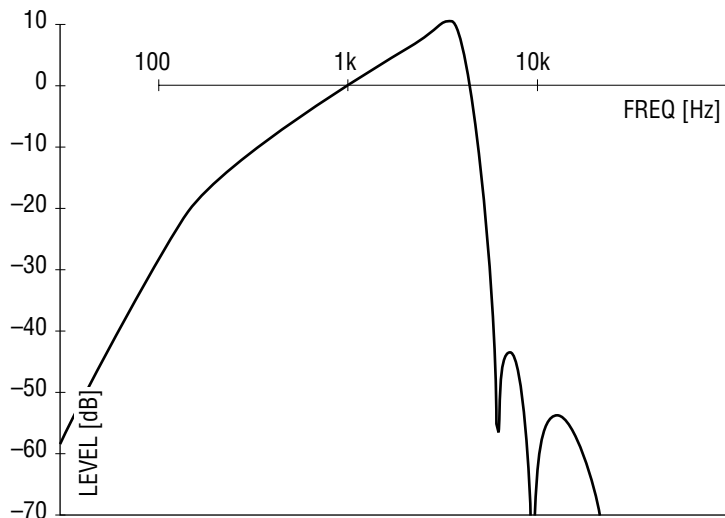
**Figure 5 MSM7557 Splatter Filter**



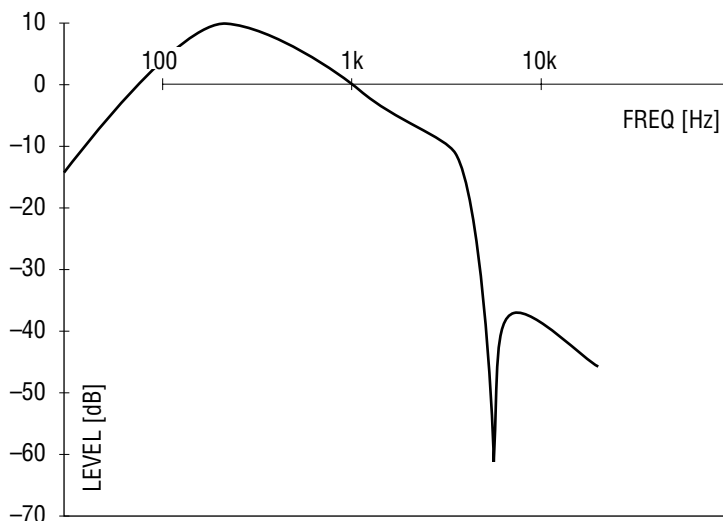
**Figure 6 MSM7557 RBP**



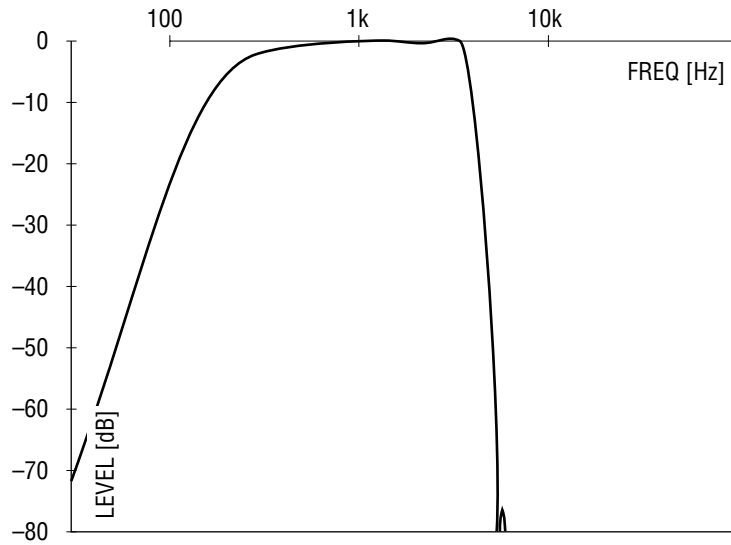
**Figure 7 MSM7557 De-Emphasis**



**Figure 8 MSM7557 Transmit Total (HPF1 + Pre-Emphasis+Splatter)**



**Figure 9 MSM7557 Receive Total (RBPF + De-Emphasis)**

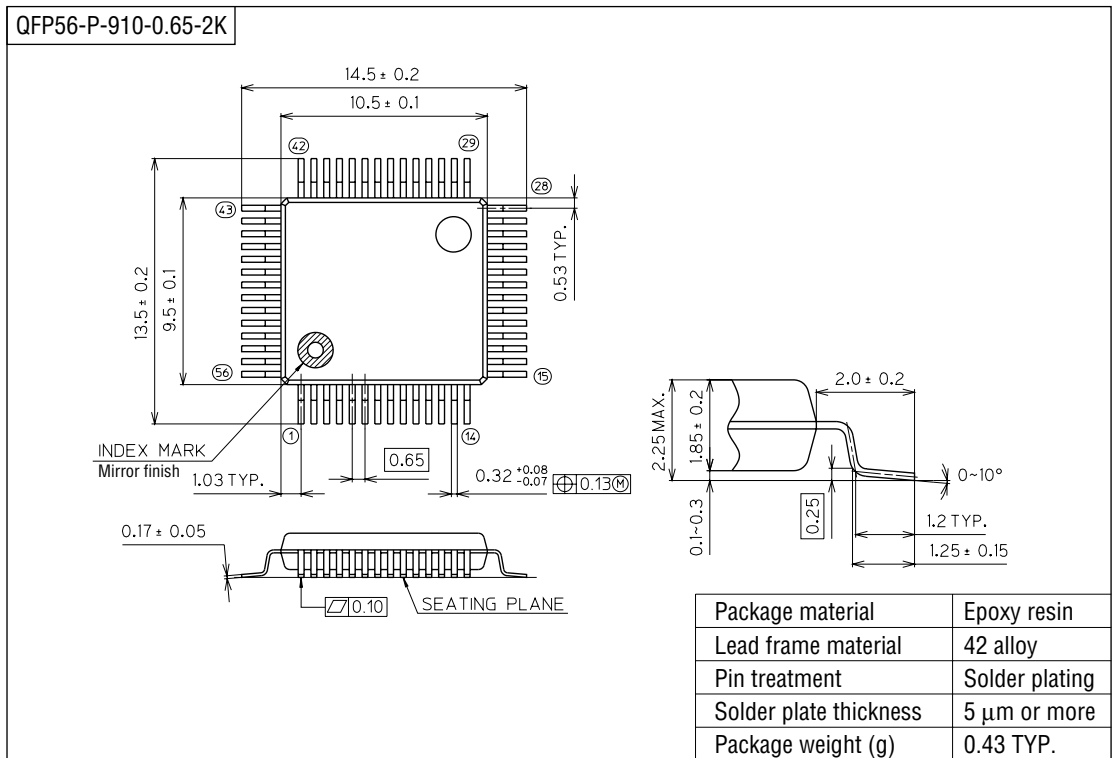


**Figure 10 MSM7557 Transmit and Receive Total**



**PACKAGE DIMENSIONS**

(Unit : mm)



**Notes for Mounting the Surface Mount Type Package**

The SOP, QFP, TSOP, SOJ, QFJ (PLCC), SHP and BGA are surface mount type packages, which are very susceptible to heat in reflow mounting and humidity absorbed in storage. Therefore, before you perform reflow mounting, contact Oki's responsible sales person for the product name, package name, pin number, package code and desired mounting conditions (reflow method, temperature and times).